

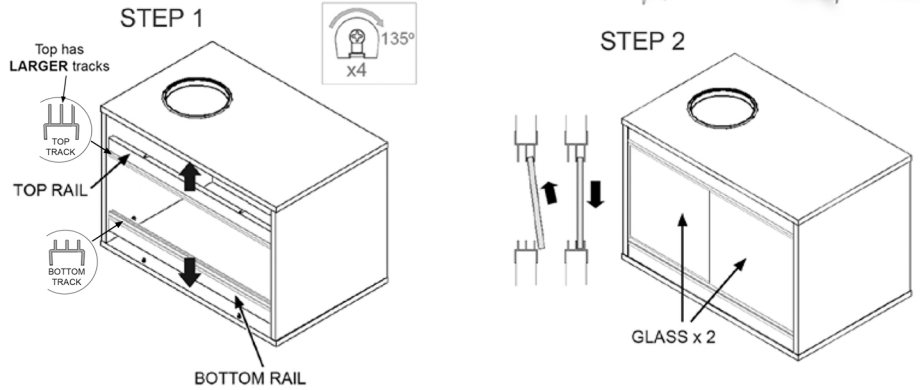
Check List

The Vivexotic Leopard Gecko Habitat contains:

- 1 x Vivexotic Terrarium 54cm
- 1 x Exo Terra Glow Light Small
- 1 x 25W Sun Glo Neodymium Basking Bulb
- 1 x Exo Terra Heat Rock Small
- 1 x Exo Terra Digital Thermometer
- 1 x Exo Terra Dial Thermometer
- 1 x Exo Terra Cave Hide Medium

Assembly Instructions

The following instructions provide you with an overview as to how to set up your Vivexotic Leopard Gecko Habitat . You should also take the time to read the instructions for all of the components and retain them for future reference.



1. Remove the Vivarium from the box . Your vivarium is already assembled, all that is left to do is attach the 2 front rails and silver tracking onto the front of the unit (STEP 1), and then simply insert the glass panel (STEP 2). Place the vivarium in its final position. This should be on a hard, level surface, but not the floor. Your Vivarium should be positioned near electrical sockets but away from radiators, windows, drafts and high traffic areas.

Note. Pre-drilled cable holes are present in the left and right bottom corners of the terrarium for easy fitting of electrical items. Leave sufficient room behind the terrarium to access these.

2. Install 25W basking lamp into Exo Terra Glow Light reflector as per instructions. Position into mesh recess on lid of the habitat.



Information: Silicon Sealing

Wooden vivariums are not recommended for pets that require tropical environments. It is advised that once built, you seal all joints and exposed fittings with aquarium silicon sealant, and leave overnight to cure. This sealing will prolong the life of your vivarium and proactively safeguard against accidental water spills and pet wastes. If your pet requires misting, it is essential that no excess water is left pooling within the vivarium. If water is allowed to seep into exposed joints, gaps or inadequately sealed edges the wood will swell.

We strongly recommend that the vivarium is sealed fully after construction, particularly where humidity levels are high. We recommend that humidity levels do not exceed 65% in any wooden vivarium and cannot guarantee the longevity of the vivarium in this case.

For species requiring high levels of humidity we recommend Exo Terra Glass Terrariums. Please visit www.exo-terra.com for more details.



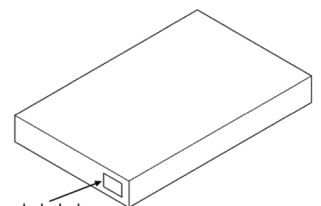
PARTS CHECKLIST

Before commencing assembly, please check that all components are present and correct. If any parts are missing or damaged please complete this form and send back to us by fax 01977 513465 or by email customer.service-uk@rchagen.com.

1. PRODUCT INFORMATION

Please provide the following product details. This information can be found on the barcode label attached to the outside of the box.

| | |
|--------------|--|
| Product Code | |
| Batch Number | |



2. PERSONAL DETAILS

| | |
|-------------------------|--|
| Name | |
| Company (if applicable) | |
| Telephone | |
| Email | |
| Delivery Address | |
| Postcode | |

3. PURCHASE & DELIVERY INFORMATION

| | |
|------------------------------|--|
| Date Purchased | |
| Where was the item purchased | |

Please send a proof of purchase along with this form (keep the original safe and send a copy).

3. Install Exo Terra Heat Rock in final position, the cable is already pre-fitted through the cable hole. The heat rock should be positioned in the area below the basking lamp.

4. Position the probes of the Exo Terra Digital Thermometer at the basking end of the terrarium. A handy cable tidy is supplied as a way to secure the probe in place. This can be found inside the Heat Rock box. Place the stick-on dial thermometer at the cooler end of the terrarium. The thermometers are situated in such a way as to provide readings at the warmest and coolest spots of the terrarium, thus providing a gradient reading. It is recommended to place the thermometers in the suggest spots for best monitoring practice.

5. Situate the Exo Terra Hiding Cave in the chosen position. Extra hides or hiding places constructed from plants are recommended as the Leopard Gecko is quite shy. A choice of warmer and cooler hiding places is preferable.

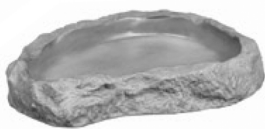
6. Everything can now be plugged in. It is recommended that all of the equipment is run for a day or two to ensure that it is all working correctly before introducing your pet. The basking lamp should be switched off at night (for around 12 hours). Monitor the temperature during this time with the digital thermometers using the maximum/minimum facility. At the end where the basking lamp is positioned the temperature should be approx. 32°C and at the other end of the Terrarium the temperature should be approx. 21°C. The temperature can fall as low as 20°C at night. If you have any queries or concerns please contact the reptile expert in store.



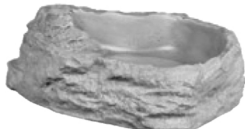
7. Important and optional extras by



Visit www.exo-terra.com for full range of Habitat accessories.



Food bowl



Water bowl



Décor and plants



Extra dens and hides

Please visit uk.hagen.com/vivexotic more information

2 YEAR EXTENDED WARRANTY

You have automatically received a standard 12 month guarantee with your purchase, however if you fill out the warranty card below, you will receive an extra 12 months free, giving you a total of 2 years warranty from the date of purchase.

| | |
|--------------------------|--|
| Name | |
| Email | |
| Address | |
| Age | <input type="checkbox"/> 16-25 <input type="checkbox"/> 26-35 <input type="checkbox"/> 36-50 <input type="checkbox"/> 51-65 <input type="checkbox"/> 66+ |
| Product Purchased | |
| Colour | |

| | |
|---------------------------------------|--|
| Date of Purchase | |
| Place of Purchase | |
| Stock Number (see edge of box) | |
| Reptiles Kept | |

Please send back to:
Rolf C Hagen (UK) Ltd
 California Drive,
 Whitwood Ind Estate,
 Castleford,
 West Yorkshire,
 WF10 5QH

The standard and extended warranty covers for defective parts which have failed under normal use. We shall not replace parts that have been damaged by abnormal conditions or that which have been subjected to improper use. It is important that you seal your vivarium to prevent moisture entering into exposed chipboard. We will not replace parts that have been water damaged due to insufficient sealing. If not sealed correctly, this will invalidate the warranty.

Please send a proof of purchase along with this form (keep the original, send a copy).

How was your item delivered?

Collected by yourself Delivered by a courier Other (please specify) _____

4. DETAILS OF PROBLEM

What is the problem? (* Please supply a photo to highlight the issue)

- | | | | |
|---|--|---|--|
| <input type="checkbox"/> Damaged Panel * Damaged on delivery? Y / N | <input type="checkbox"/> Broken glass * Broken on delivery? Y / N | <input type="checkbox"/> Wrongly drilled panel * Glass doesn't fit * | <input type="checkbox"/> Missing plastic runners |
| <input type="checkbox"/> Missing fittings Whole pack or individual fittings? | <input type="checkbox"/> Damaged plastic runners * Damaged on delivery? Y / N | <input type="checkbox"/> Wrongly sized part * | |
| <input type="checkbox"/> Other missing part | <input type="checkbox"/> Other (please specify) * _____ | | |

Please detail the parts required, and the quantity below:

| Item | Part | Quantity | Problem |
|-------------------|------|----------|--------------------------------|
| Panel (example) | Back | 1 | Broken at top left hand corner |
| Fitting (example) | C | 2 | Missing from pack |
| | | | |
| | | | |
| | | | |

Please send the following items with this form:

- PROOF OF PURCHASE** (please keep the original receipt safe and send a copy)
- PHOTOS DETAILING THE PROBLEM** (unless parts are missing)