

PT4035
PT4036
PT4037
PT4038
PT4039
PT4040

VIVEXOTIC

ASSEMBLY INSTRUCTIONS

SMALL & MEDIUM
CABINETS



Issue 1

Important - Please read these instructions fully before starting assembly

If you need help, or have damaged or missing parts, please call **0141 945 2888** and ask for the QC department. However, please note if your product has been subject to obvious carrier damage to the carton during transit to your home, we recommend that you contact your supplier.

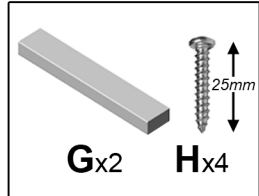
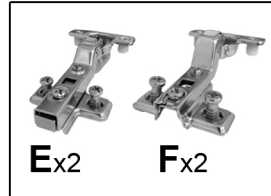
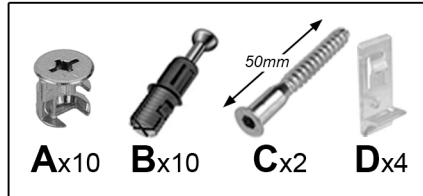
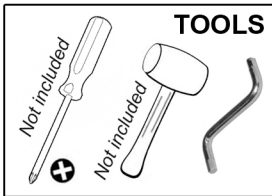
2 YEAR EXTENDED WARRANTY

You have automatically received a standard 12 month guarantee with your purchase, however will receive an extra 12 months free (giving you a total of 2 years warranty from the date of purchase), if you fill out your details online. Simply visit uk.hagen.com and click on the 'warranty' section.

The standard and extended warranty covers for defective parts which have failed under normal use. We shall not replace parts that have been damaged by abnormal conditions or that which have been subjected to improper use. It is important that you seal the vivarium above this cabinet to prevent moisture entering into exposed chipboard. We will not replace parts that have been water damaged due to insufficient sealing. If not sealed correctly, this will invalidate the warranty.

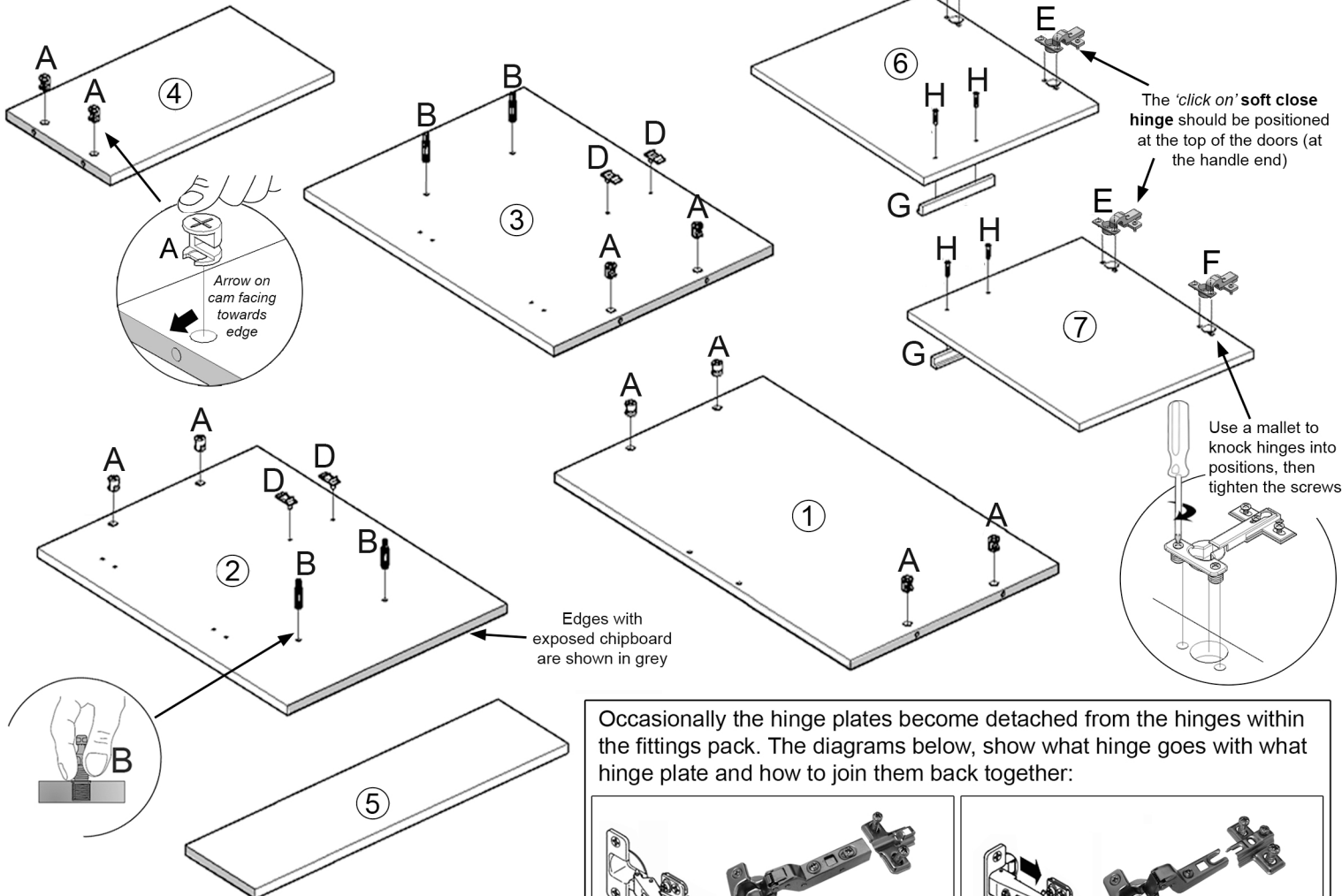
FITTINGS

Please note this fittings pack is used in different products, therefore it may include extra fittings that are not required in this product.

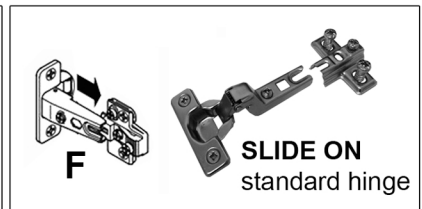


PREPARATION

A medium cabinet is shown below for illustration purposes, but the small cabinet fits together in the same way.



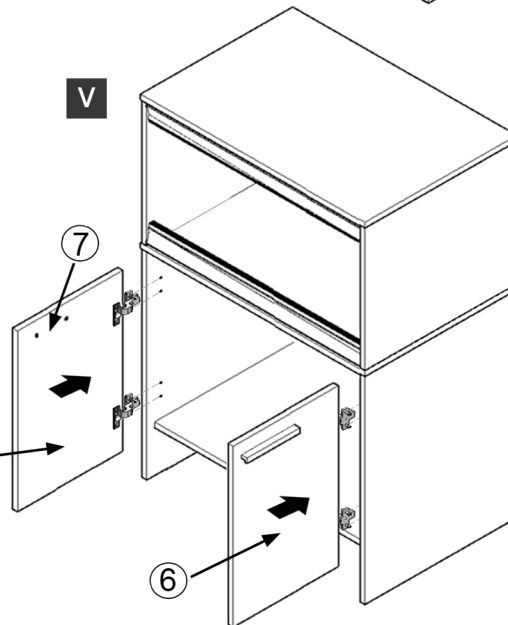
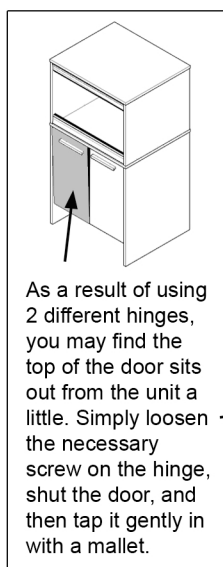
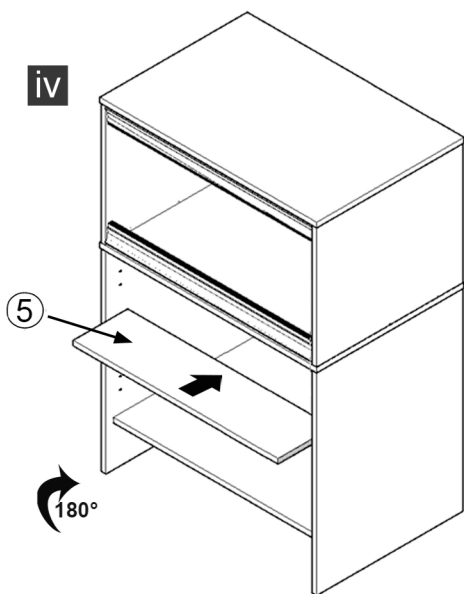
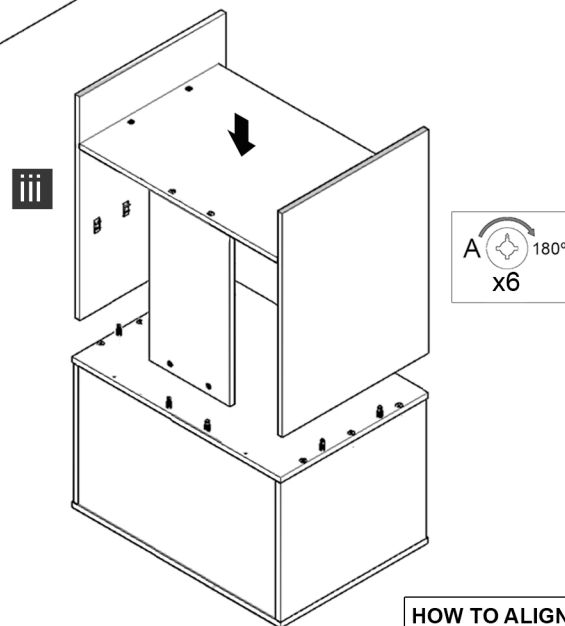
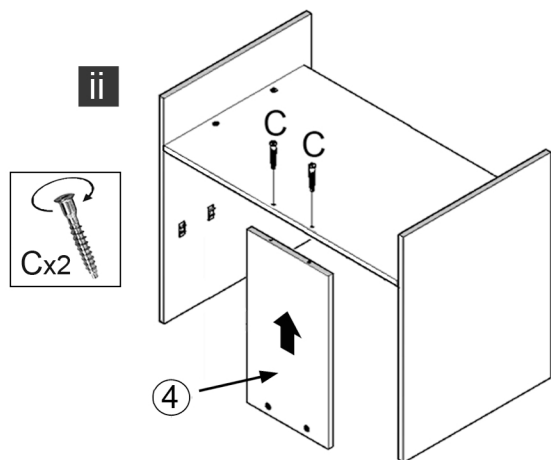
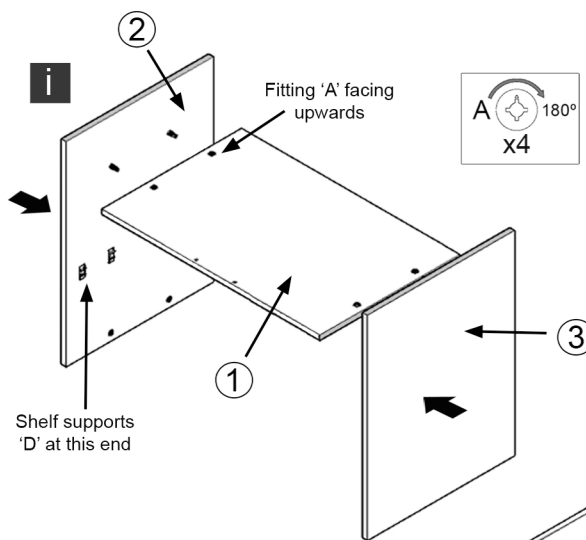
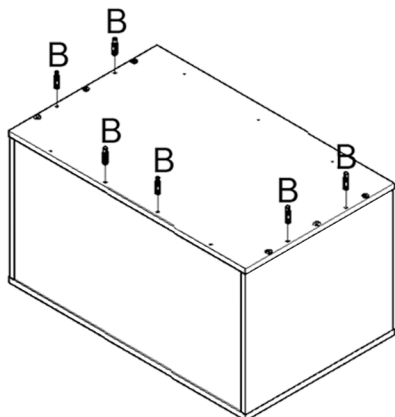
Occasionally the hinge plates become detached from the hinges within the fittings pack. The diagrams below, show what hinge goes with what hinge plate and how to join them back together:



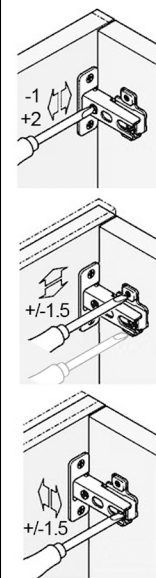
PLEASE NOTE THE PACKAGING CONTAINS 2 WOODEN END PROTECTORS. THESE PANELS ARE FOR PACKAGING PURPOSES ONLY AND ARE NOT PART OF THE PRODUCT.

ASSEMBLY

This cabinet is designed to attach onto the base of your vivarium. Before starting assembly, flip the vivarium upside down (**take the glass out** before doing this) and insert the 6 remaining 'B' fittings into the unused holes:



HOW TO ALIGN THE DOORS



The small cabinet fits the following Vivexotic vivariums:



Please visit
uk.hagen.com/vivexotic
 for more information

The medium cabinet fits the following Vivexotic vivariums:

