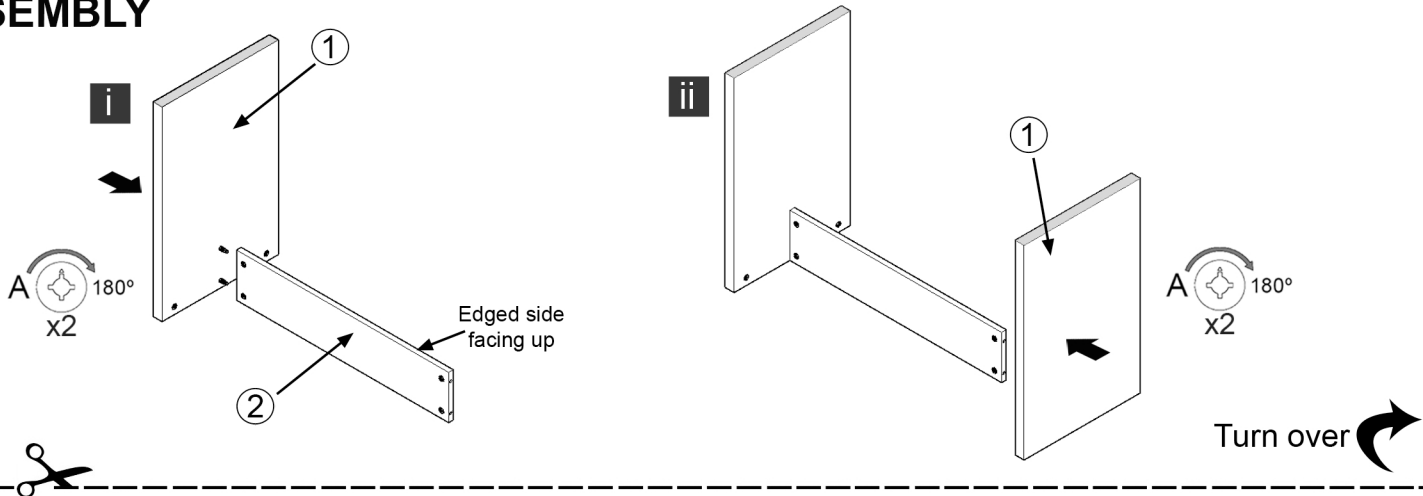


ASSEMBLY



Tortoise Table Starter
(1 set of legs required for this set up)

This product can be used with both the tortoise table starter and extension.

Please visit
uk.hagen.com/vivexotic
for more information



Tortoise Table Starter + Extension
(2 sets of legs required for this set up)

PARTS CHECKLIST

Before commencing assembly, please check that all components are present and correct. If any parts are missing or damaged please complete this form and send back to us by fax 01977 513465 or by email customer.service-uk@rchagen.com.

1. PRODUCT INFORMATION

Please provide the following product details. This information can be found on the barcode label attached to the outside of the box.

Product Code	
Batch Number	

2. PERSONAL DETAILS

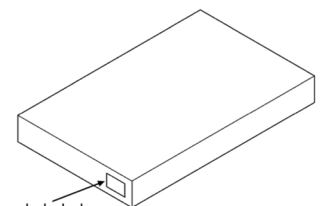
Name	
Company (if applicable)	
Telephone	
Email	
Delivery Address	
Postcode	



Batch Number

Product Code

Barcode Label



3. PURCHASE & DELIVERY INFORMATION

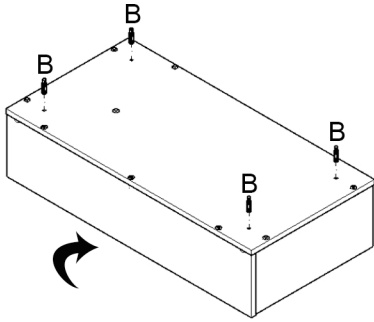
Date Purchased	
Where was the item purchased	

Please send a proof of purchase along with this form (keep the original safe and send a copy).

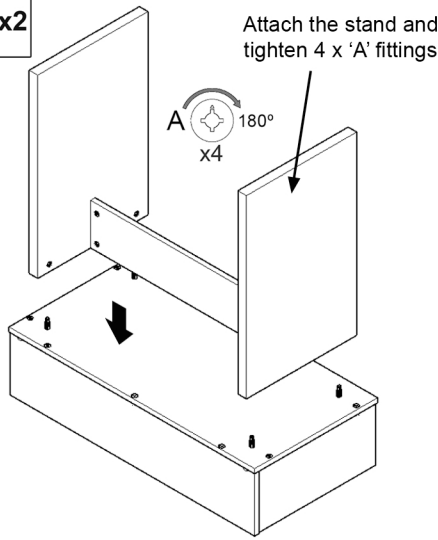
ASSEMBLY CONTINUED



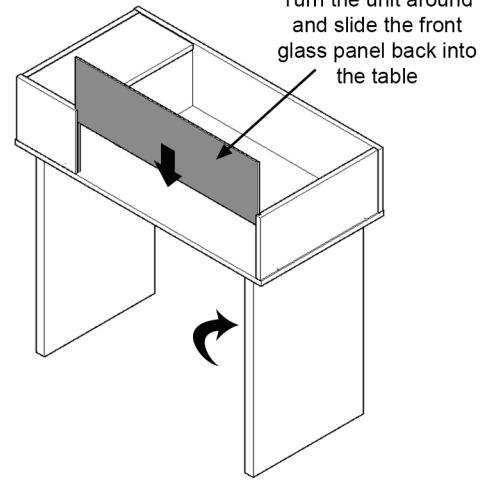
1. ATTACHING TO THE STARTER (1 x Stand Required)



Remove the front glass panel, and then turn the table upside down. Insert 4 x 'B' fittings into the unused holes.

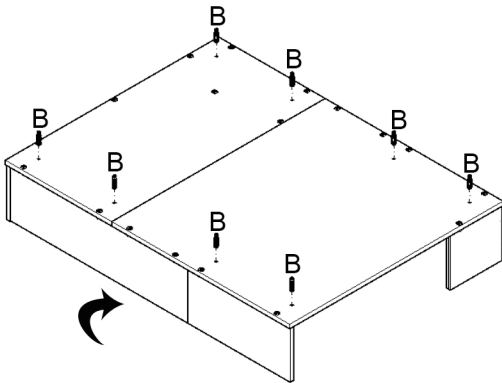


Attach the stand and tighten 4 x 'A' fittings

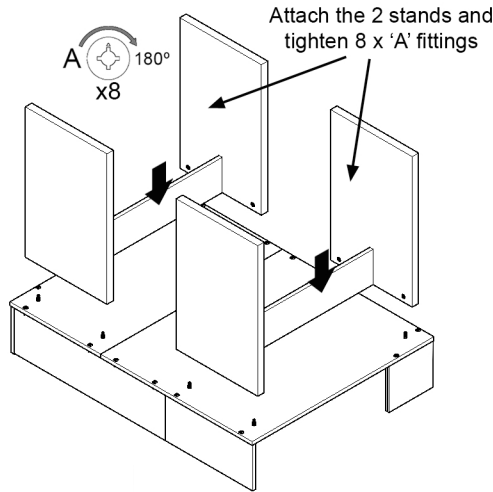


Turn the unit around and slide the front glass panel back into the table

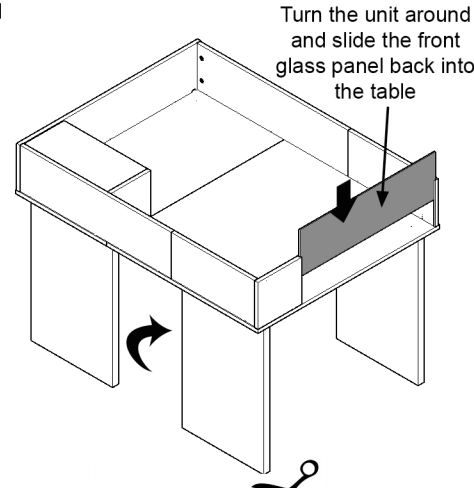
2. ATTACHING TO THE EXTENDED TABLE (2 x Stands Required)



Remove the front glass panel, and then turn the table upside down. Insert 8 x 'B' fittings into the unused holes.



Attach the 2 stands and tighten 8 x 'A' fittings



Turn the unit around and slide the front glass panel back into the table

2 YEAR EXTENDED WARRANTY

You have automatically received a standard 12 month guarantee with your purchase, however if you fill out the warranty card below, you will receive an extra 12 months free, giving you a total of 2 years warranty from the date of purchase.

Name	
Email	
Address	
Age	<input type="checkbox"/> 16-25 <input type="checkbox"/> 26-35 <input type="checkbox"/> 36-50 <input type="checkbox"/> 51-65 <input type="checkbox"/> 66+
Product Purchased	
Colour	

Date of Purchase	
Place of Purchase	
Stock Number (see edge of box)	
Reptiles Kept	

Please send back to:
Rolf C Hagen (UK) Ltd
California Drive,
Whitwood Ind Estate,
Castleford,
West Yorkshire,
WF10 5QH

The standard and extended warranty covers for defective parts which have failed under normal use. We shall not replace parts that have been damaged by abnormal conditions or that which have been subjected to improper use. It is important that you seal your vivarium to prevent moisture entering into exposed chipboard. We will not replace parts that have been water damaged due to insufficient sealing. If not sealed correctly, this will invalidate the warranty.

Please send a proof of purchase along with this form (keep the original, send a copy).

How was your item delivered?

- Collected by yourself Delivered by a courier Other (please specify) _____

4. DETAILS OF PROBLEM

What is the problem? (* Please supply a photo to highlight the issue)

- Damaged Panel * Broken glass * Wrongly drilled panel * Missing plastic runners
 Damaged on delivery? Y / N Broken on delivery? Y / N
- Missing fittings Damaged plastic runners * Glass doesn't fit * Wrongly sized part *
 Whole pack or individual fittings? Damaged on delivery? Y / N
- Other missing part Other (please specify) * _____

Please detail the parts required, and the quantity below:

Item	Part	Quantity	Problem
Panel (example)	Back	1	Broken at top left hand corner
Fitting (example)	C	2	Missing from pack

Please send the following items with this form:

- PROOF OF PURCHASE** (please keep the original receipt safe and send a copy)
- PHOTOS DETAILING THE PROBLEM** (unless parts are missing)