

FLUVAL[®]

PROFILE

Instruction Manual

Mode d'emploi

Bedienungsanleitung

Manual de instrucciones

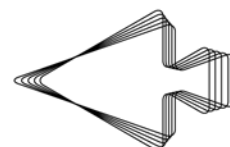
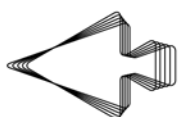
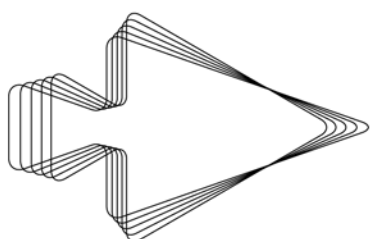
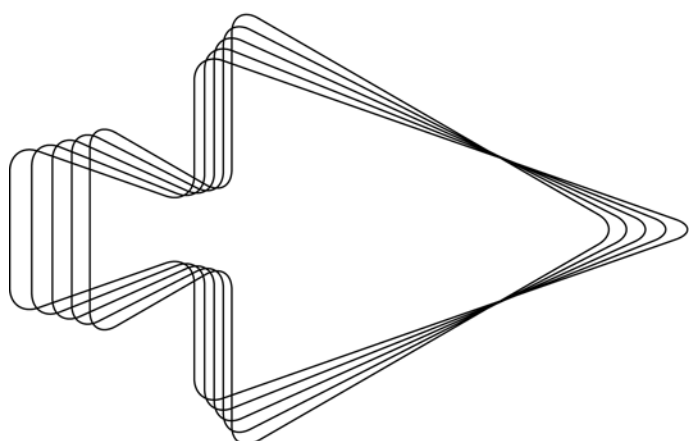


Table of Contents

Introduction	1
Section #1	4
Aquarium Cabinet set up - Glass tank verification and installation, aluminum posts installation	
Section #2	8
External Fluval Filter installation	
Section #3	10
Fluval Easysset Heater installation	
Section #4	11
Decorating your aquarium with gravel, ornaments, and rocks	
Section #5	11
Strip-Light Canopy installation and preparation for the start-up	
Section #6	13
Maintenance	
Warranty	16

Table des matières

Introduction	17
Section n° 1	20
Installation du meuble d'aquarium - vérification et installation de l'aquarium en verre - installation des moulures en aluminium	
Section n° 2	24
Installation du filtre extérieur Fluval	
Section n° 3	26
Installation du chauffe-eau pour aquarium	
Section n° 4	27
Décoration de l'aquarium avec du gravier, des ornements et des roches	
Section n° 5	28
Installation de la rampe d'éclairage et préparation au démarrage	
Section n° 6	30
Entretien	
Garantie	32

Inhaltsverzeichnis

Einleitung	33
Abschnitt 1	36
Aufbau des Aquarienschrankes - Überprüfung und Aufstellen des Glasbeckens, Montage der DekofüÙe	
Abschnitt 2	40
Installation des Fluval AuÙenfilters	
Abschnitt 3	42
Installation des Fluval Easyset Heizers	
Abschnitt 4	43
Das Aquarium mit Kies, Zierelementen und Steinen dekorieren	
Abschnitt 5	44
Installation und Vorbereitung zur Inbetriebnahme der Strip-Light-Abdeckung	
Abschnitt 6	46
Wartung	
Garantie	48

Tabla de contenido

Introducción	49
Sección nº 1	52
Montaje del pedestal para acuarios: verificación e instalación del tanque de vidrio e instalación de las columnas decorativas.	
Sección nº 2	56
Instalación del filtro externo Fluval	
Sección nº 3	58
Instalación del calentador Easyset Fluval	
Sección nº 4	59
Decoración de su acuario con grava, adornos y piedras	
Sección nº 5	59
Instalación de la cubierta con luces en hilera y preparación para su puesta en marcha	
Sección nº 6	61
Mantenimiento	
Garantía	64

FLUVAL PROFILE Aquarium Kit Instruction Manual

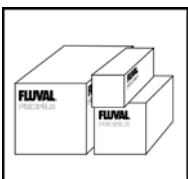
This instruction manual is for the following Fluval Aquarium Kits:

PROFILE 850 PROFILE 1200
PROFILE 1000 PROFILE 1500

All kits include a tank, cabinet, Strip-Light canopy, Fluval external filter(s) and heater(s).

The Fluval external filter(s) can be connected to the tank easily and safely, thanks to the new “EasyConnect” system, which makes connecting to powerful external filtration systems easy, and eliminates the use of unsightly hosing and prominent cross rim devices.

The kits are packaged in either 2 or 3 separate boxes:



The first box contains the glass tank with the Strip-Light canopy, Fluval external filter(s) with EasyConnect attachments, heater(s) and instruction manual.

The second box contains the knock-down cabinet with setup instructions.

The third box contains the four (4) aluminum PROFILE posts, except for model 1500, whose posts are included with the aquarium itself.

MAIN TECHNICAL CHARACTERISTICS

Model	Aquarium Capacity*	Weight of the Aquarium Without Water**	Weight of the Aquarium full with water***	Cabinet weight	Strip-Light Canopy Lights	Heating Power	Filtration System
	U.S. gal./Liters	lb/kg	lb/kg	lb/kg	Type/W	Watts	Model
PROFILE 850	60/232	130.4/59.15	600/275	83.8/38	T5HO / 4x24	200	Fluval 205
PROFILE 1000	72/275	146.7/66.55	720/330	94.8/43	T5HO / 4x39	300	Fluval 305
PROFILE 1200	85/323	175.4/79.55	850/385	108/49	T5HO/ 4x39	300	Fluval 405
PROFILE 1500	130/500	251.8/114.2	1300/590	141/64	T5HO / 4x54	300 (x2)	Fluval 305 (x 2)

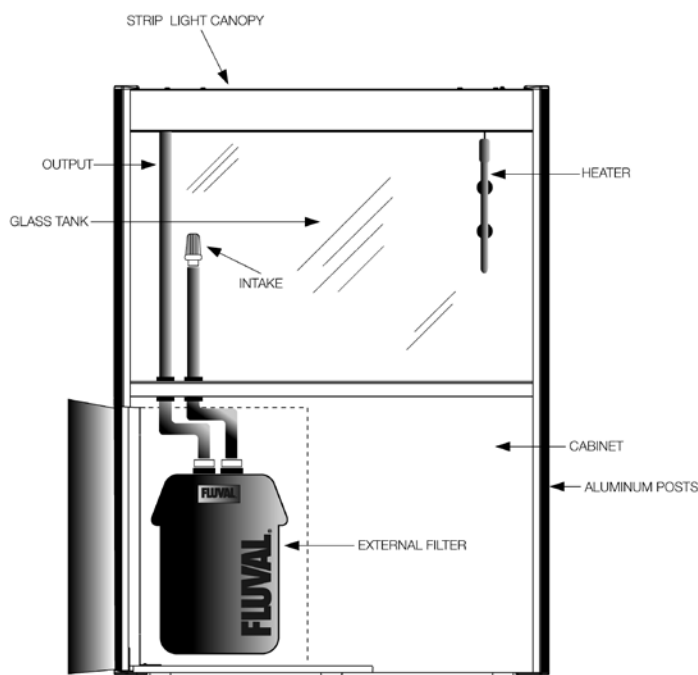
IMPORTANT NOTES:

* Aquarium capacity does not refer to the maximum capacity of the glass tank, but to the approximate volume of water up to the aluminum aquarium Frame (without gravel).

** Approx. weight of aquarium and lighting (without water)

*** Approx. weight with the aquarium filled with water and a 15 cm (6”) thick layer of gravel only.

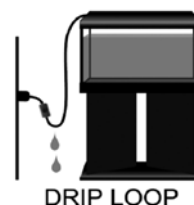
FLUVAL AQUARIUM KITS: IDENTIFICATION OF MAIN COMPONENTS



IMPORTANT SAFETY INSTRUCTIONS

WARNING – To guard against injury, basic safety precautions should be observed, including the following:

1. Read this instruction manual carefully and completely before installing the Aquarium Kit and familiarize yourself with all safety instructions, terms and parts. Failure to do so may result in loss of fish life and/or damage to this appliance. The instructions for setting up the Cabinet and filter pump instructions are not included in this manual, but are provided in a separate manual included in the Cabinet and filter pump carton boxes.
2. **DANGER** – To avoid possible electric shock, special care should be taken since water is employed in the use of aquarium equipment. For each of the following situations, do not attempt repairs yourself; return the appliance to an authorized service facility for service or discard the appliance.
 - A. If the appliance shows any sign of abnormal water leakage, immediately unplug it from the power source.
 - B. Carefully examine the appliance after installation. It should not be plugged in if there is water on parts not intended to be wet. If the appliance or any part of it falls into the water, DO NOT reach for it. First unplug the unit before retrieving.
 - C. Do not operate any appliance if it has a damaged cord or plug.
 - D. A “drip loop”, shown in the figure beside, should be arranged by the user for each cord connecting an aquarium appliance to the socket. The “drip loop” is the part of the cord below the level of the receptacle, or the connector if an extension cord is in use. This prevents water from traveling along the cord and coming into contact with the socket or power supply. If the plug or socket gets wet, DO NOT unplug the cord. Disconnect the fuse or circuit breaker that supplies power to the appliance then unplug and examine for the presence of water in the socket.
 - E. This appliance is not intended for use by persons (including children) with significantly impaired physical or mental capabilities, unless they have been given supervision or instruction concerning the use of the appliance by a person responsible for their safety. Children should always be supervised to ensure that they do not play with the appliance.
 - F. To avoid injury, do not contact moving parts or hot parts such as heaters, reflectors, lamp bulbs and the like. Max. Operating Temperature 35°C (95°F)



G. Always unplug or disconnect all appliances in the aquarium from the electricity supply before placing hands in water, before putting on or taking off parts and while the equipment is being installed, maintained or handled. When inserting or removing equipment from the water, always pull out all main electricity plugs. Never yank the cord to pull the plug from the outlet. Grasp the plug and pull to disconnect. Always unplug an appliance from an outlet when not in use.

H. Do not install or store the appliance where it will be exposed to weather or temperatures below freezing.
FOR INDOOR HOUSEHOLD USE ONLY.

I. If the use of an extension cord is necessary, an extension cable with the proper electrical rating should be used. An extension cable rated for less amperage or wattage than the appliance rating may overheat. Care should be taken to arrange the cable so that it will not be tripped over or pulled.

J. Before handling the aquarium tank and cabinet, check their weight in the table on page 1 to assess whether you have the capability and means to handle them without risk or personal injury.

WARNING. Risk of overheating: do not place any objects on the aquarium or any other appliance connected to the aquarium at any time. If air stones are used, always keep them in the middle of the aquarium to avoid water leaks due to capillary action around the top frame.

ADDITIONAL SAFETY INSTRUCTIONS FOR THE INSTALLATION AND MAINTENANCE OF SALTWATER AQUARIUMS

It is commonly known that salt water is far more corrosive, electrically conductive, and generally degrades plastic and metal parts at an accelerated rate versus fresh water. To minimize salt accumulations on the aquarium, take note of the following recommendations:

1. Make sure that the filter outputs do not spray above the water surface; position them below the water surface with a slight downward angle, but allow for surface movement (which contributes to oxygenation).
2. If an air pump must be used, frequent removal of salt deposits will be necessary.
3. Keep the water level as constant as possible (top up regularly to make up for evaporation). This is beneficial in providing stable salinity and will help protect the canopy.
4. Clean all aquarium components that come into contact with salt water at least every 15 days. Use a wet cloth (never use chemical products or detergents). Simple lemon juice may be useful for removing calcareous encrustation. Rinse thoroughly afterward to eliminate acid residue.

SAVE THESE INSTRUCTIONS

The electrical cords of the Strip-Lights and the heater can exit the aquarium through the rear openings in the aquarium top frame.

SETTING UP YOUR FLUVAL AQUARIUM

For proper installation and start-up of your aquarium, please follow these guidelines:

A. PREPARING THE AQUARIUM KIT FOR START-UP

1. Assemble the aquarium cabinet.

Refer to Section #1 of this Instruction Manual and to the separate Instruction Manual which is found in the cabinet box.

2. After verification, place the cabinet and the aquarium tank in their final location.

Refer to Section #1 of this Instruction Manual.

3. Install the aluminum PROFILE posts.

Refer to Section #1 of this Instruction Manual.

4. Install the water intake/output systems.

Refer to Section #1 of this Instruction Manual.

5. Set up the filter unit and connect it to the tank.

Refer to Section #2 of this Instruction Manual.

6. Position the heater in the aquarium.

Refer to Section #3 of this Instruction Manual.

7. Decorate your aquarium with backgrounds, rocks and gravel.

Refer to Section #4 of this Instruction Manual.

8. Placing foreground plants in the aquarium.

Refer to Section #4 of this Instruction Manual.

9. Fill the aquarium with water up to half its height.

Refer to Section #4 of this Instruction Manual.

10. Place high plants in the aquarium.

Refer to Section #4 of this Instruction Manual.

11. Top up the aquarium up to aluminum aquarium frame.

Refer to Section #4 of this Instruction Manual.

12. Prepare the Strip-Light Canopy for start-up and place it on the aquarium top.

Refer to Section #5 of this Instruction Manual.

B. AQUARIUM START-UP

13. Plug in the External Filter.

Refer to Instruction Manual included within the filter box.

14. Plug in the heater.

Refer to Heater Instruction Manual on heater card.

15. Plug in the Strip-Light Canopy.

Refer to Section #5 of this Instruction Manual.

16. Add the fish after the aquarium has matured.

MAINTENANCE

For any maintenance operation for the aquarium glass and strip light canopy

Refer to Section #6 of this Instruction Manual.

For any maintenance operation for the aquarium filter or heater

Refer to instruction manual included with their packaging.

SECTION #1

**SETTING UP THE AQUARIUM CABINET – VERIFYING & INSTALLING THE GLASS TANK
-INSTALLING ALUMINUM POSTS**

SET UP THE AQUARIUM CABINET

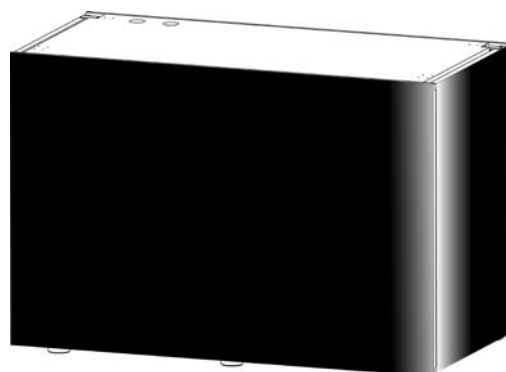
Do not attempt to set up the cabinet without reading and following the instruction manual.

The manual is included with the cabinet. If it is missing or unusable, contact the store or Hagen Customer Service to get another copy.

The Fluval Aquarium must be placed on the appropriate Fluval cabinet designed for that aquarium. Fluval cabinets are guaranteed to provide a suitably solid and level surface that will not bend or warp. Using any other form of support will invalidate your guarantee.

Never attempt to move or transport the Cabinet with the glass tank or any other load on top of it.

Remove all contents from the box. Before you begin, identify, count and check that you have all the parts needed for assembly. If any part is missing, do not



proceed with the setup and contact the store or Hagen Customer Service. Assemble the Cabinet following all instructions.

After completing the assembly, check that ALL parts have been properly used. The aquarium cabinet is made of wood. We recommend keeping all cabinet surfaces dry.

VERIFYING THE AQUARIUM GLASS TANK

The aquarium glass tank comes complete with bottom and top aluminum frames secured to it. Do not try to remove the top and bottom frames. Although the glass tank was manufactured with maximum care and the most advanced techniques, inspect it carefully to ensure that it was not damaged during handling and transportation.

The tank is made of glass. Always handle it with the extreme care.

Never attempt to move or transport the tank if it is not completely empty of water or any other material.

Always take care not to damage the seals at the edges of the glass panels while maintaining your aquarium.

Never use toxic or abrasive substances to clean your aquarium.

PLACING THE AQUARIUM WITH ITS CABINET IN THE FINAL LOCATION

The location of the aquarium is very important. Place it away from direct sunlight. This will reduce the chances of excessive algae build-up and prevent overheating. Keep the aquarium away from other sources of heat (air ducts, radiators, etc.) for proper temperature maintenance. Drafts should be avoided as well. Do not place the aquarium where water spills will cause damage.

The cabinet's dimensions and structure are specifically designed to bear the weight of a completely filled aquarium. Using a different cabinet or support may cause an unsafe condition and void the tank warranty.

WARNING. Ensure that the selected location can support the total weight of the cabinet and a completely filled aquarium.

The selected location should have an even and level surface. Place the aquarium and cabinet close to an electrical outlet.

After placing the cabinet, use a spirit level to ensure that it is perfectly level.

IMPORTANT: Place the aquarium tank directly on the cabinet without any additional support or damper in between. NEVER insert lining between the cabinet and aquarium.

INSTALLING ALUMINUM PROFILE POSTS

1) Before you begin, verify that you have a complete set of four (4) aluminum posts.

2) Clean the surface, removing any dust or dirt with a damp cloth prior to application. Do not use harsh or abrasive detergents which may damage the surface.

3) Dry the surface thoroughly.

4) Open the side door of the cabinet.

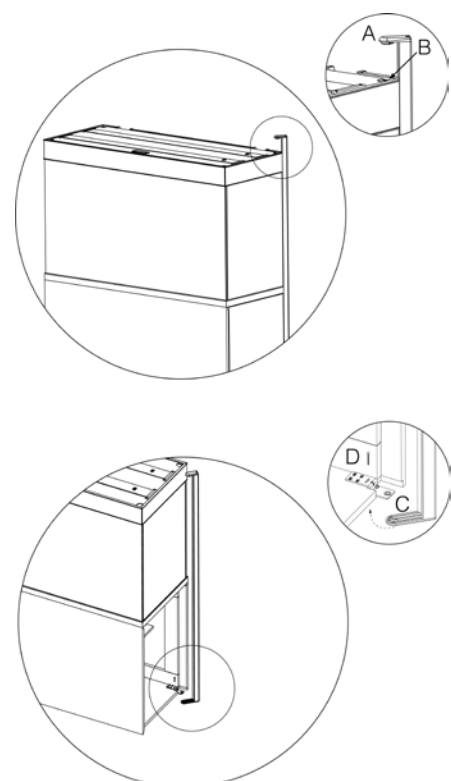
5) Position the top plastic post retainer (A) onto the corner of the canopy frame (B).

6) Slip the bottom plastic post retainer (C) under the cabinet. Align the hole in the plastic retainer with the hole in the cabinet base.

7) From the inside of the cabinet base, attach the bottom retainer by inserting the screws through the cabinet base and into the plastic retainer (D). **DO NOT OVERTIGHTEN.**

8) Repeat steps 4 through 7 for each of the four (4) aluminum PROFILE posts.

Note: For models PROFILE 850, 1000 and 1200, the PROFILE posts are packaged separately from the glass aquarium. For PROFILE 1500, the posts can be found inside the aquarium.

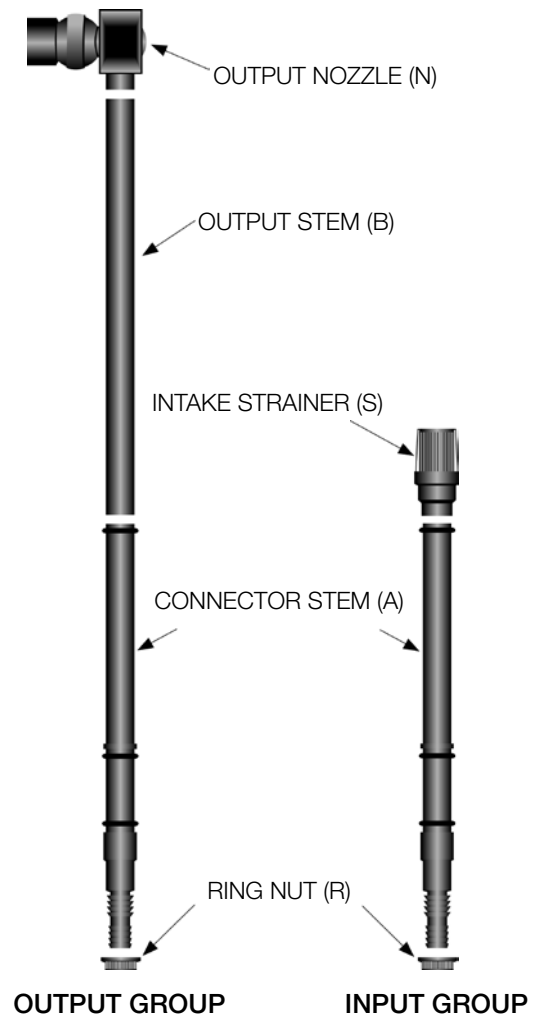
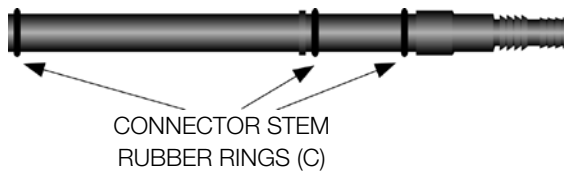


INSTALLING WATER INTAKE/OUTPUT WITH EasyConnect SYSTEM

All Fluval PROFILE aquariums feature the innovative EasyConnect system, which allows you to directly connect the tank to the external filter through the bottom glass using special fittings. With other systems, the same type of connection is achieved using complex devices that often require the services of expert technicians. With EasyConnect, the installation is done easily and safely, giving your aquarium a clean and professional look.

Before proceeding, identify and count all parts required by referring to the assembly drawings on this page. If any part is missing, do not proceed with the installation and contact your retailer or Hagen Customer Service.

Before proceeding, check stems (A) for the presence of all three (3) rubber rings (C). Do not proceed with the installation if one of the rubber rings (C) is missing and contact your retailer or Hagen Customer Service.

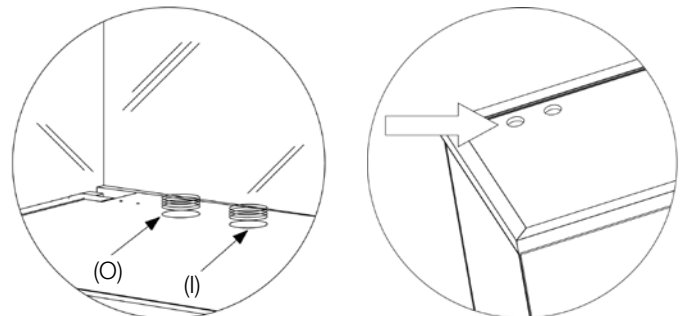


Locate the 2 openings (O) and (I) in the tank's bottom glass and the corresponding holes in the cabinet. The 2 openings in the tank's bottom glass come complete with factory-installed plastic fittings, which must never be removed, turned or loosened. The output system should be installed in the opening (O), and the intake should be installed in the opening (I).

Once the output/input systems are installed, do not shift the tank with respect to the cabinet, as this may damage the output/input systems and the glass tank.

Do not force, loosen or turn the factory-installed special fittings on tank openings (O) and (I).

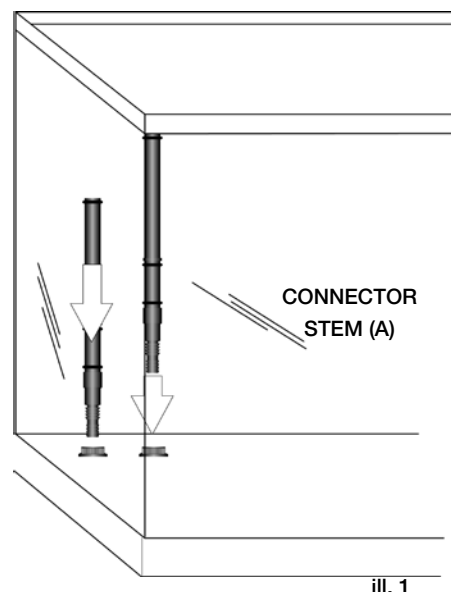
LOCATE THE 2 OPENINGS IN THE TANK'S BOTTOM GLASS AND ENSURE THAT THE CORRESPONDING OPENINGS IN THE CABINET ARE ALIGNED WITH THEM.



Output system installation

1. Slip connector stem (A) fully through opening (O) until it stops (ill. 1)
2. Open the cabinet. Screw and tighten the ring nut (R) onto the bottom end of stem (A) (ill. 2).
3. Insert the output nozzle (N) into one end of outlet stem (B)
4. Insert output stem (B) in connector stem (A) (ill. 3).
5. Regulate the height of the output nozzles according to your requirement by sliding output stem (B) along connector stem (A).
6. The output nozzles (N) can be easily rotated to divert the water flow where desired.

Direct the water jets so as not to let water overflow from the tank.
Avoid directing the water jets toward the Strip-Light(s) of the canopy.

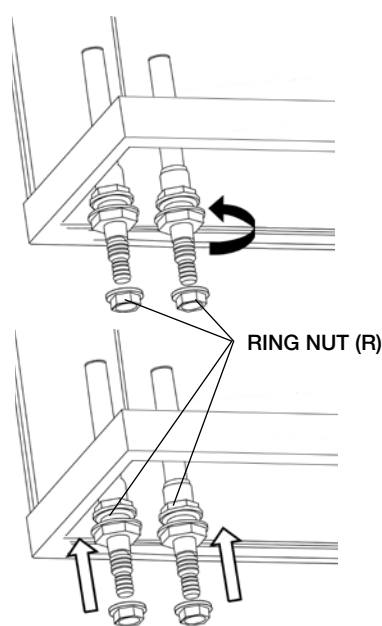


Intake system installation

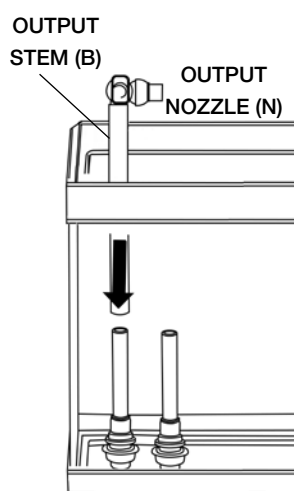
1. Slip the second connector stem (A) fully through opening (I) until it stops (ill. 1).
2. Open the cabinet. Screw and tighten the nut ring (R) onto the bottom end of the second stem (A) (ill. 2).
3. Insert the intake strainer (S) in connector stem (A) (ill. 4).

The height of the intake strainer is high enough to suit most standard aquarium decorations. When decorating the aquarium, ensure that the intake strainer remains at least 5 cm (2") from the gravel bottom at all times to prevent it from sucking gravel or sand. Ensure that decorations do not block the flow of water. Ornaments and rocks should be placed while the aquarium is still dry.

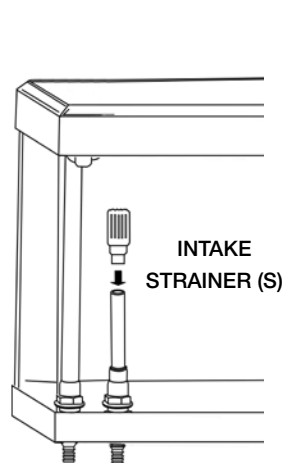
CAUTION! Never force Connector Stems (A) sideways, as this may damage the output/input systems and the glass tank.



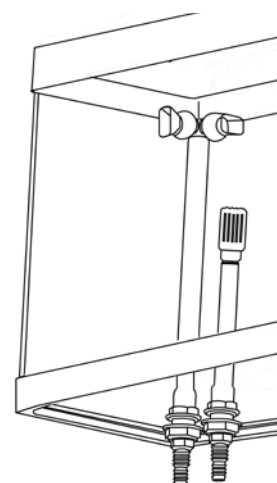
ill. 2



ill. 3



ill. 4

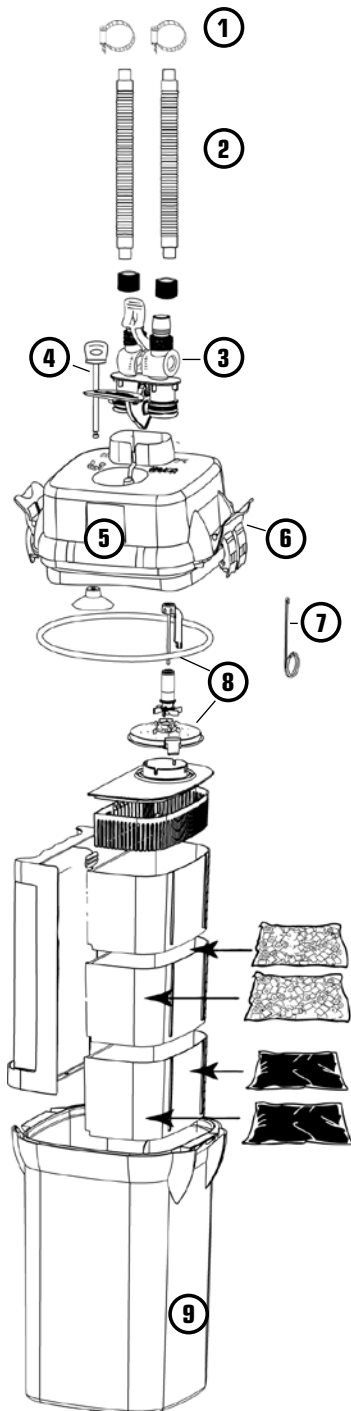


ill. 5

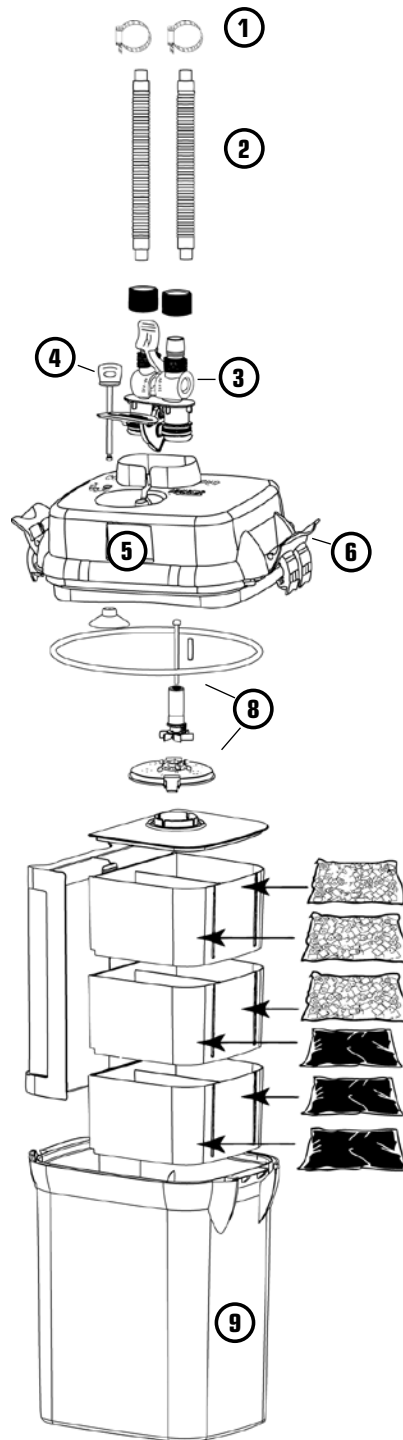
SECTION #2 INSTALLING THE FLUVAL EXTERNAL FILTER

FLUVAL FILTER: PRODUCT PARTS

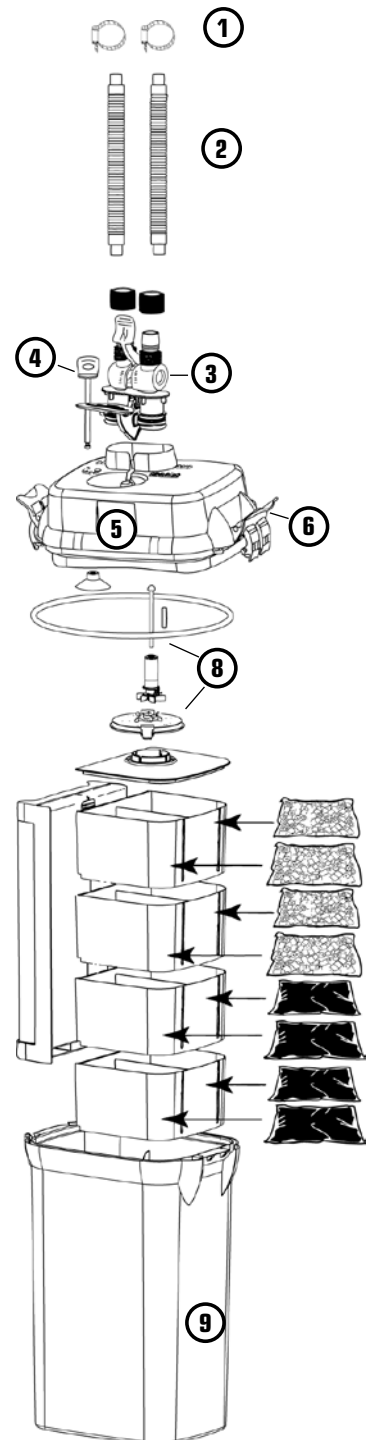
FLUVAL 205
PROFILE 850



FLUVAL 305
PROFILE 1000
PROFILE 1500



FLUVAL 405
PROFILE 1200



IMPORTANT: Since the filter is connected directly to the tank through the bottom of the aquarium glass, the Instant Prime System (Part # 4) is not required. **Always keep the Instant Prime handle in the "Down" position.**

FLUVAL FILTER INSTALLATION



- 1. Unpack and identify all parts.** This filter is only for installation with Fluval Aquarium sets with undertank connections.
- 2. Prepare intake/output connections.**

Remove the Aquastop valve (3) from canister cover (5) by first lifting the black lever all the way up and then fully lifting the silver lever.

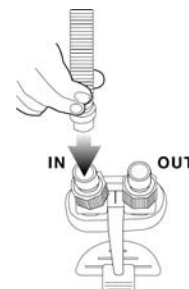
The black lever closes and opens the Aquastop valves. When the black lever is fully up, the valves are fully closed and do not allow water to flow between the filter and aquarium tank. When the black lever is fully down, the valves are fully open and allow maximum water flow between filter and aquarium tank.

The silver lever locks the Aquastop valve to the canister cover (5). When the silver lever is fully up, the Aquastop valve is disengaged from the canister cover (5). Important: to avoid water spill, the silver lever cannot be operated if the black lever is not fully up.

Connect the ribbed hoses (2) to the Aquastop valve (3).

Attach the first hose to the **IN** and the second hose to the **OUT** connector of the Aquastop valve in the following way:

- Push one end of the hosing onto the valve; push it all the way, as far as it will go.
- Turn the lock nut counter clockwise until it is as tight as you can make it without forcing.



Connect the ribbed hoses to the Aquarium's intake/output stems that you installed in Section #1.

Open the cabinet. Connect the loose end of the ribbed hose (2) that is attached to the **IN** connector of the Aquastop valve (3) to the connector stem that is attached to the **aquarium intake** and then connect the loose end of the ribbed hose (2) that is attached to the **OUT** connector of the Aquastop valve (3) to the connector stem that is attached to the **aquarium output**, in the following way:

- Loosen the metal clamp (1) and slide it onto the loose end of the hosing (2).
- Push the end of the hosing onto the aquarium connector stem; push it all the way, as far as it will go.
- Position the metal clamp over the rubber connector and tighten with a screwdriver.

WARNING! – Avoid forcing the ribbed hoses sideways near the Aquastop and Connector Stem connections at all times to prevent the ribbed hosing from slipping out of these connections and consequently emptying the aquarium.

3. Prepare the Filter

IMPORTANT: The Carbon and BIOMAX media supplied with your Fluval filter have been deliberately placed in the Upper, Mid, and Lower level baskets to indicate their **recommended placement** for optimal basic filtration. Be sure to note this positioning and place the media in baskets **at the same levels** as you prepare the filter for use.

For more information concerning Fluval Canister filter media options visit www.hagen.com

1. Remove the foam screen frame, media cover, and media baskets from the filter canister.

As you remove Carbon and BIOMAX from the baskets, note which levels they were packed in. Then remove their outer wrappers; do not remove carbon from porous bag(s).

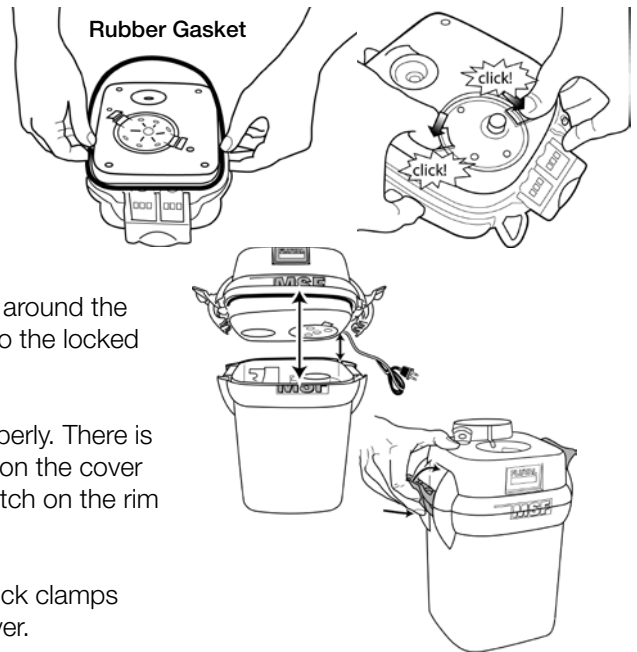
2. Rinse baskets and media materials under running tap water to remove any dust and place media in baskets. Or, if you prefer, select other media of your own choosing. **Please refer to instruction manual included within the filter box for more information.**

3. Place the rinsed and filled media baskets back in the canister and put the media cover back on the top basket. **IMPORTANT:** Make sure that each media is positioned at the same level it was packaged in, unless you are deliberately choosing a different filtration plan than the recommended basic setup. **Never overfill baskets. If the cover or baskets are out of position, the cover (5) may not close properly.**

4. Rinse both sides of the foam screen frame under tap water before initial use to remove any possible contaminants and slide it back into position in the canister, with the flat end down. **If the screen does not seem to fit properly, be sure it is not upside down.**

5. Complete the canister cover assembly:

- a. Lay the canister cover on a flat surface with its top side down. Remove the lubricated rubber gasket from its plastic bag. To seal the cover opening properly, the gasket must be moist but it need not be wet. Carefully fit the gasket into the channel around the base of the cover.
- b. Position the impeller cover over the impeller. Align the shaft so it is seated in the ring on the cover; push down around the entire circumference of the edge until the tabs “click” into the locked position.

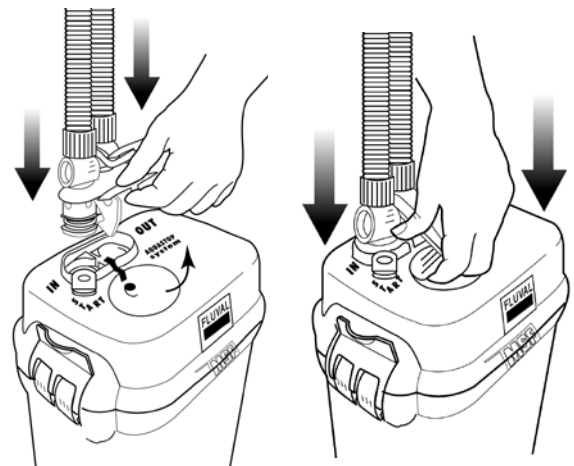


6. Place the cover on the canister. Be sure to position it properly. There is only one orientation possible. Make certain that the MSF logo on the cover and canister is aligned and that the power cord fits into the notch on the rim of the canister.

7. Lock the cover in place. Push the double tabs of the lift-lock clamps under the rim; then press the upper tabs firmly against the cover.

DO NOT FILL THE CANISTER WITH WATER

- 8. Place the unit in its final position inside the cabinet.
- 9. Insert the Aquastop valve into the intake and output connectors on the cover and push down on the silver lever to lock it in place.
- 10. Keep the Aquastop valves closed with the black lever all the way up.
- 11. **DO NOT PLUG THE FILTER IN NOW.** The Filter is ready for start-up, but it can be started only after all aquarium accessories have been installed and the aquarium is filled with water. For the filter start-up, Please refer to instruction manual included within the filter box for more information.

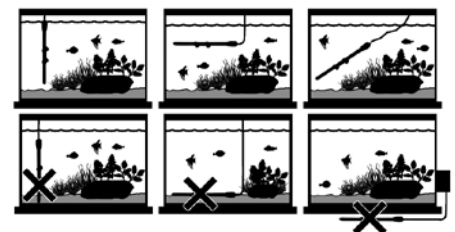


SECTION #3 INSTALLING THE AQUARIUM HEATER

HEATER INSTALLATION

Positioning the heater

The Aquarium heater must be positioned to allow free circulation of water around the glass heater tube. Generally, the heater should be placed at the rear of the aquarium, preferably near a source of water movement to ensure even and thorough distribution of warmed water. Be sure there are no rocks, decorations or gravel obstructing or touching the heater, as they will cause uneven heating in the glass tube and weaken it.



CAUTION - Water level must be maintained to the level indication on the glass heater tube. Always maintain the water level in the aquarium to compensate for water loss due to evaporation.

Heater preparation

- 1. Set the heater to the appropriate temperature using the Numbered Temperature Dial.
- 2. Position the heater in the aquarium with the heater mounting bracket attached. Press suction cups firmly against glass to adhere to the aquarium wall.
- 3. **DO NOT PLUG IN NOW.** The Heater is now ready for the start-up, but it can be started only after the installation of all aquarium accessories has been completed and the tank is full of water. For Heater start-up please refer to instruction manual included on the heater card.

SECTION #4 DECORATING YOUR AQUARIUM WITH GRAVEL, ORNAMENTS, AND ROCKS

Unplug and remove the Strip-Light(s) and top lids from the aquarium top to access the tank fully.

Ornaments and rocks should be positioned while the aquarium is still dry. Rinse aquarium gravel or marine substrate before placing it at the bottom. In most cases, a 5 – 10 cm (2 - 4") layer of regular aquarium gravel (or crushed coral in marine environments) is sufficient. Use more if you plan to anchor live plants. It is advisable to slope the gravel downward from the back to the front for the best effect.

When decorating the aquarium, ensure that the filter intake strainer sticks out by at least 5 cm (2") from the gravel bottom to prevent the filter pump from sucking gravel or sand.

Also be sure there are no rocks, decorations or gravel obstructing or touching the heater.

CAUTION! Do not place any rock in direct contact with the bottom glass panel. Always keep at least 5 cm (2") of gravel between rocks and the bottom glass panel.

CAUTION! Handle any hard and heavy objects, such as decorative rocks, with extreme care to avoid damaging glass panels. Always avoid knocking them against the glass.

CAUTION! Do not heap rocks or heavy decorations against the Output and Intake systems, to avoid forcing the Connector Stems (A) sideways.

Place small plants in the aquarium

While the aquarium is still empty of water, plant small plants in your aquarium. Ensure that all live plants are firmly rooted in the gravel.

Fill the aquarium with water up to half its height and plant the tall plants

Fill the aquarium about halfway with water before planting tall plants. The water will help make this easier. To minimize displacing the decorations while filling the aquarium, place a clean plate on the gravel at the bottom of the aquarium then pour the water onto the plate. We recommend filling the aquarium with water that is close to the desired temperature you are trying to achieve. Ensure that all live plants are firmly rooted in the gravel.

Filling up the aquarium

After the plants are added, fill the aquarium up to the bottom of the aluminum frame.

IMPORTANT - Do not overfill. Overfilling the aquarium can cause water to pass under the top frame and run down the outside of the aquarium.

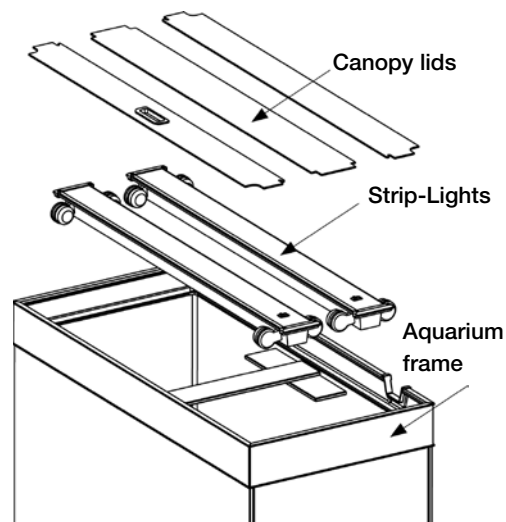
SECTION #5 INSTALLING THE STRIP-LIGHT CANOPY AND PREPARING FOR START-UP

STRIP-LIGHT CANOPY: PARTS

The Strip-Light Canopy consists of:

- 1 Aluminum **Aquarium FRAME** attached to the aquarium tank
- 3 **LIDS** for opening and closing the aquarium
- 2 **STRIP-LIGHTS** for 4 T5HO fluorescent tubes

All Strip-Lights are equipped with an **Electronic Ballast** for maximum performance and efficiency. Depending on the version, the Strip-Light may feature either a line cord switch or rocker switch on the canopy top surface.



STRIP-LIGHT IMPORTANT SAFETY INSTRUCTIONS

WARNING - To guard against injury, basic safety precautions should be observed, including the following:

1. **READ AND FOLLOW ALL SAFETY INSTRUCTIONS** and all the important notices on the appliance before using the Strip-Light. Failure to do so may result in loss of fish life and/or damage to this appliance.

2. **DANGER** - To avoid possible electric shock, special care should be taken since water is employed in the use of aquarium equipment. For each of the following situations, do not attempt repairs yourself; return the appliance to an authorized service facility for service or discard the appliance.

- A. If the appliance falls in the water, DON'T reach for it! First unplug it and retrieve it. If electrical components of the appliance get wet, unplug the appliance immediately.
- B. If the appliance shows any sign of abnormal water leakage or if the RCD (or GFCI- Ground Fault Current Interrupter) switches off, disconnect the power supply cord from the main power supply and remove the appliance from the water.
- C. Carefully examine the appliance after installation. It should not be plugged if there is water on parts not intended to be wet.
- D. Do not operate any appliance if it has a damaged cord or plug, or if it is malfunctioning or it is dropped or damaged in any manner. The power cord of this appliance cannot be replaced; if the cord is damaged, the appliance should be discarded. Never cut the cord.
- E. To avoid the possibility of the appliance plug or socket getting wet, make a drip loop according to the instructions in "IMPORTANT SAFETY INSTRUCTIONS" in the Introduction of this manual.

3. This appliance is not intended for use by persons (including children) with significantly impaired physical or mental capabilities, unless they have been given supervision or instruction concerning the use of the appliance by a person responsible for their safety. Children should always be supervised to ensure that they do not play with the appliance.

4. To avoid injury, do not contact hot parts such as heaters, reflectors, lamp bulbs etc.

5. **CAUTION** – Always unplug or disconnect all appliances in the aquarium from the electricity supply before placing hands in water, before putting on or taking off parts and while the Strip-Light is being installed, maintained or handled. Never yank the cord to pull the plug from the outlet. Grasp the plug and pull to disconnect. Always unplug an appliance from an outlet when not in use.

6. This is a non submersible AQUARIUM LUMINAIRE (Strip-Light), suitable for INDOOR HOUSEHOLD USE ONLY, for use on Fluval PROFILE TOP COVER FRAMES only, for fresh and salt water aquariums with max 35° C (95°F) water temperature. Do not use this appliance for different aquariums or applications. The use of attachments not recommended or sold by the appliance manufacturer may cause an unsafe condition.

7. **IMPORTANT:** Use only standard aquarium normal T5HO fluorescent tubes as per the rating characteristics indicated on the electrical data label located on the Strip-Light.

8. Do not install or store this appliance where it will be exposed to the weather or to temperatures below freezing.

9. **IMPORTANT:** Make sure that the Strip-Light is securely and correctly installed before operating it and that the minimum distance between the bottom of the strip-light and water surface is 15mm (0.6in). This Strip-Light must never operate in water. **WARNING.** The safety of this Strip-Light is guaranteed provided that both lamps are inserted and all threaded fittings are properly installed.

10. If an extension cord is necessary, a cord with proper rating should be used. A cord rated for less amperes or watts than the appliance rating may overheat. Care should be taken to arrange the cord so that it will not be tripped over or pulled.

11. **WARNING.** Risk of overheating: do not place any object(s) on the Strip-light. Ensure sufficient air space around the Strip-Light.

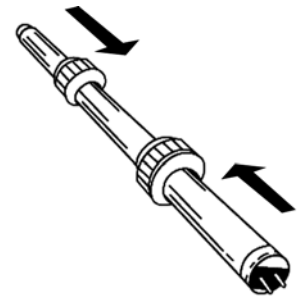
12. (For North America only) This appliance has a polarized plug (one blade is wider than the other). As a safety feature, this plug will fit in a polarized outlet only one way. If the plug does not fit fully into the outlet, reverse the plug. If the plug will still not fit fully into the outlet, contact a qualified electrician to inspect the outlet and make the needed alterations. Never use with an extension cord unless the plug can be fully inserted. Do not attempt to defeat this safety feature.

SAVE THESE INSTRUCTIONS.

For the complete use and understanding of this product, it is recommended that this manual is thoroughly read and understood. Failure to do so may result in damage to this product.

PREPARING AND INSTALLING THE STRIP-LIGHTS

All PROFILE Aquarium models feature 2 Strip-Lights each. Each Strip-Light will feature two (2) T5HO fluorescent bulbs. The GLO T5HO lamps supplied require installation into each strip light.



ill. 6

1. Unscrew the lamp holder threaded fitting with one hand while supporting the lamp holder with the other hand (to prevent accidental cracking of this plastic component). This procedure must be performed at both ends of each Strip-Light.

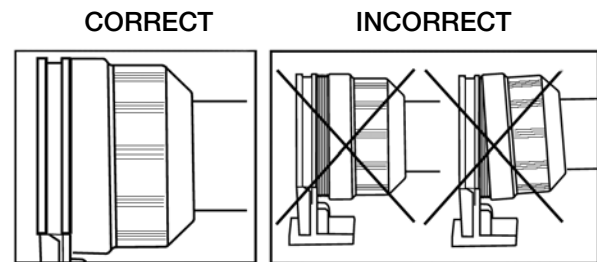
2. Slide the two threaded fittings with gaskets onto the fluorescent tube, towards the middle, so that the threads are facing the ends of the fluorescent bulb (as shown in ill. 6).

Ensure that the gaskets are properly positioned.

3. Carefully align and insert the pins of the new fluorescent tube into the lamp holder slots at each end of the Strip-Light.

3A. Twist the fluorescent tubes 1/4 turn or 90°. Until the lamps have “clicked” into place.

4. Carefully support the lamp holders with one hand and gently screw the threaded fittings with the other hand. Firmly hand-tighten these fittings, the use of any tool is not recommended. Ensure that the end caps are completely threaded onto the lamp holders. These units are plastic, avoid cross-threading the fittings.



ill. 7

5. Place the Strip-Light back onto the aquarium and position the 3 lids.

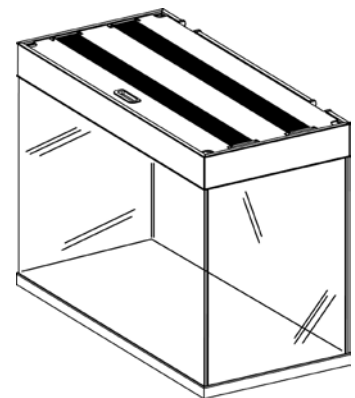
6. Repeat steps 1-4 for 2nd fixture.

WARNING: Ensure that there are no visible threads or gaps between the lamp socket and threaded fittings. Ensure threaded fittings are not cross threaded onto the lamp socket. (See ill. 7)

The threaded fittings must be fully tightened to prevent moisture from entering the socket and corroding the electrical contacts.

WARNING: The safety of this Strip-Light is guaranteed provided that both lamps are inserted and that all threaded fittings are properly installed.

Replace the Strip-Light(s) first and then place the lids on the top frame to close the aquarium completely.



DO NOT PLUG IN NOW. The Strip Light(s) is now ready for start-up, but it can be started only after you have completely installed all aquarium accessories.

SECTION #6 MAINTENANCE

WARNING: Always disconnect all appliances in the aquarium from the electrical supply before placing hands in the water, before putting on or taking off parts, and whenever the appliances are being installed, maintained or handled.

I. AQUARIUM GLASS TANK CARE AND MAINTENANCE

The aquarium tank does not require particular maintenance, except regular cleaning. **Special care should always be taken not to damage the silicone seals while cleaning and maintaining your aquarium.**

NEVER use soap, detergents or any other aggressive chemical substances to clean your aquarium tank, as they may damage the silicone seals.

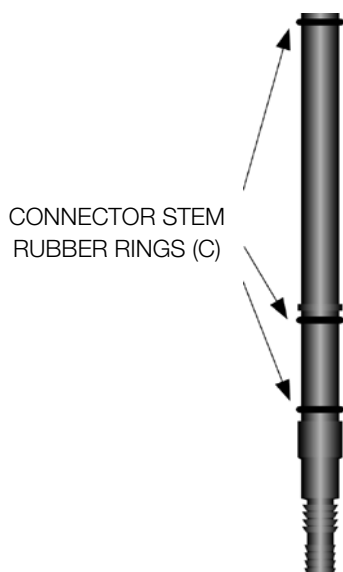
In case of salt water aquariums, the following recommendations should be followed:

ADDITIONAL SAFETY INSTRUCTIONS FOR THE INSTALLATION AND MAINTENANCE OF SALTWATER AQUARIUMS

It is commonly known that salt water is far more corrosive, electrically conductive, and generally degrades plastic and metal parts at an accelerated rate versus fresh water. To minimize salt accumulations on the aquarium, take note of the following recommendations:

1. Make sure that the filter outputs do not spray above the water surface; position them below the water surface with a slight downward angle, but allow for surface movement (which contributes to oxygenation).
2. If an air pump must be used, frequent removal of salt deposits will be necessary.
3. Keep the water level as constant as possible (top up regularly to make up for evaporation). This is beneficial in providing stable salinity and will help protect the canopy.
4. Clean all aquarium components that come into contact with salt water at least every 15 days. Use a wet cloth (never use chemical products or detergents). Simple lemon juice may be useful for removing calcareous encrustation. Rinse thoroughly afterward to eliminate acid residue.

REPLACEMENT PARTS



CONNECTOR STEM
RUBBER RINGS (C)

Output nozzle (N): 15470 one for all models

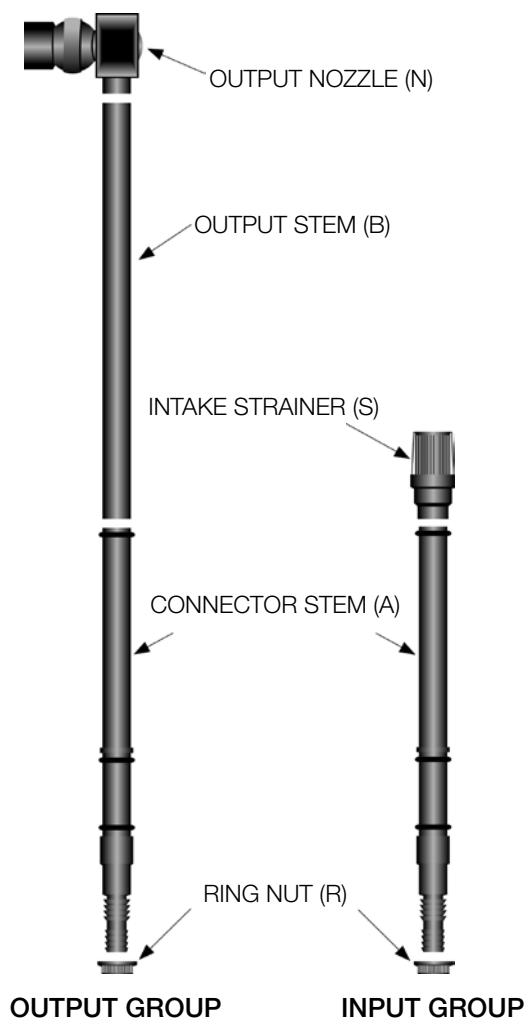
Output stem (B): 15472 one for all models

Connector stem (A): 15473 one for all models

Intake strainer (S): A-20009 one for all models

Rubber ring (C): 15476 one for all models

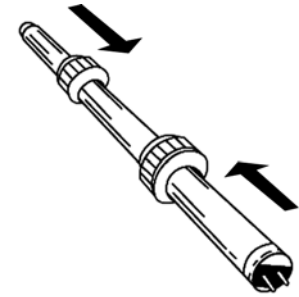
Ring nut (R): 15474 one for all models



2. STRIP-LIGHT CANOPY MAINTENANCE

WARNING: Fluorescent tubes are made of glass. Handle Strip-Lights and tubes with care.

RECOMMENDATION: Use only standard aquarium normal T5HO output fluorescent bulbs as per the wattage rating indicated on the electrical data label located on the Strip-Light. Always use original spare parts only.



ill. 6

REPLACING THE FLUORESCENT TUBE(S) OF THE STRIP-LIGHT

1. Disconnect the Strip-Light from power supply.

WARNING: Be sure you unplug the power cord. Switching off the lights with the line cord switch is NOT enough.

2. Remove the Strip-Light from the aquarium and place it with the fluorescent tubes facing up on a solid surface, far enough from the aquarium to prevent parts from accidentally falling into the water.

3. Unscrew the lamp holder threaded fitting with one hand while supporting the lamp holder with the other hand (to prevent accidental cracking of this plastic component). This procedure must be performed at both ends of each fluorescent tube being replaced.

4. Carefully slide out the old fluorescent bulb.

5. Slide the two threaded fittings with gaskets onto the new fluorescent tube, towards the middle, so that the threads are facing the ends of the fluorescent bulb (as shown in ill.6).

Ensure that the gaskets are properly positioned.

6. Carefully insert the pins of the new fluorescent tube into the lamp holder slots. Turn 90° until it clicks.

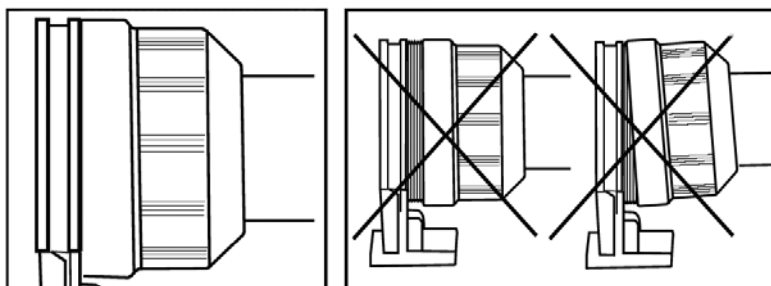
7. Carefully support the lamp holders with one hand and gently screw the threaded fittings with the other hand. Firmly hand-tighten these fittings, the use of any tool is not recommended. These units are plastic, avoid cross-threading the fittings (ill.7).

8. Place the Strip-Light back on the aquarium.

WARNING: To prevent moisture from entering the lamp socket and corroding the electrical contacts, fully tighten threaded fittings onto socket. Ensure there are no visible threads or gaps between the lamp socket and threaded fittings. Ensure threaded fittings are not cross threaded onto the lamp socket.

CORRECT

INCORRECT



ill. 7

3. CLEANING THE STRIP LIGHT CANOPY

Disconnect the Strip-Light from power supply before any maintenance operation.

WARNING: Be sure you unplug the power cord. Switching off the lights with the line cord switch is NOT enough.

Never place the Strip-Light under water jets or submerge in water.

No special maintenance is required for the Fluval Strip-Light Canopy, other than periodic cleaning with a damp cloth (never use harsh chemical products or detergents). To remove calcareous deposits, use a mild acid such as lemon juice, then wipe down the surface with a damp cloth to remove any residue.

Saltwater aquariums require regular and thorough cleaning to remove salt accumulations on the Strip-Light Canopy and the fluorescent tube(s). Please refer to paragraph "Additional safety instructions for the installation and maintenance of saltwater aquariums" in the Introduction.

4. STRIP LIGHT REPLACEMENT PARTS

Always use genuine Fluval spare parts to ensure continued performance and safety.

We recommend that when one (1) lamp burns out, that both lamps be replaced at the same time.

Model	Fluorescent Tubes	Complete strip light (no bulbs)
PROFILE 850 15839	T5HO 4x 24W	15839
PROFILE 1000 15849	T5HO 4x 39W	15849
PROFILE 1200 15859	T5HO 4x 39W	15859
PROFILE 1500 15869	T5HO 4x 54W	15869

WARRANTY

Provided that the instructions have been followed, Rolf C. Hagen guarantees this product for defective parts and workmanship for a period of 2 years from the date of purchase. This guarantee excludes any damage through accident or misuse. This guarantee does not affect your statutory rights.

If at sometime in the future you have cause to claim under the guarantee you will need to provide proof and date of purchase and we recommend that you retain your receipt for this purpose. We reserve the right to repair or replace, at our discretion.

Rolf C. Hagen wishes you many hours of enjoyment with your Fluval aquarium.

CANADA: Hagen Industries/Les industries Hagen Itée

3235 Guénette, Montréal QC H4S 1N2

Canada only: 1-800-554-2436 between 9:00a.m. and 4:30 p.m.

Eastern Standard Time. Ask for Customer Service.

U.S.A.: Rolf C. Hagen (U.S.A.) Corp.

305 Forbes Blvd, Mansfield, MA. 02048

U.S.A only: 1-800-724-2436 between 9:00 a.m. and 4:00 p.m. Eastern Standard Time. Ask for Customer Service.

UK: Rolf C. Hagen (UK) Ltd,

California Drive, Whitwood Ind Est.,

Castleford, West Yorkshire WF10 5QH

U.K. only: Helpline Number 01977 556622.

Between 9:00 AM and 5:00 PM, Monday to Friday (excluding Bank Holidays).

Aquarium équipé PROFILE FLUVAL

Mode d'emploi

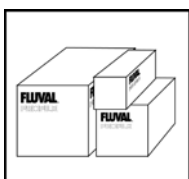
Ce mode d'emploi est pour les aquariums équipés Fluval suivants :

PROFILE 850 PROFILE 1200
PROFILE 1000 PROFILE 1500

Tous les aquariums équipés comprennent un aquarium, un meuble, des rampes d'éclairage, un filtre extérieur Fluval et un chauffe-eau ou deux, selon le modèle.

Le filtre extérieur Fluval peut être raccordé aisément et en toute sécurité à l'aquarium grâce au nouveau système « Easy-Connect » qui facilite le raccordement à une filtration extérieure puissante et dissimule les tuyaux désagréables à voir et les supports visibles suspendus au cadre de l'aquarium.

Les aquariums équipés sont emballés dans 2 ou 3 boîtes individuelles :



La première boîte contient l'aquarium en verre avec les rampes d'éclairage, le filtre extérieur Fluval avec les raccords « Easy-Connect », le chauffe-eau et le mode d'emploi.

La deuxième boîte contient le meuble prêt-à-monter avec les instructions d'assemblage.

La troisième boîte contient les quatre (4) moulures PROFILE en aluminium, à l'exception du modèle 1500 dont les moulures sont comprises avec l'aquarium même.

CARACTÉRISTIQUES TECHNIQUES PRINCIPALES

Modèle	Volume de l'aquarium*	Poids de l'aquarium sans eau**	Poids de l'aquarium avec l'eau***	Poids du meuble	Tubes pour rampes d'éclairage	Puissance du chauffe-eau	Système de filtration
	Litres/gal US	kg/lb	kg/lb	kg/lb	Type/W	Watts	Modèle
PROFILE 850	232/60	59,15/130,4	275/600	38/83,8	T5HO/4 x 24	200	Fluval 205
PROFILE 1000	275/72	66,55/146,7	330/720	43/94,8	T5HO/4 x 39	300	Fluval 305
PROFILE 1200	323/85	79,55/175,4	385/850	49/108	T5HO/4 x 39	300	Fluval 405
PROFILE 1500	500/130	114,2/251,8	590/1300	64/141	T5HO/4x54	300 (x 2)	Fluval 305 (x 2)

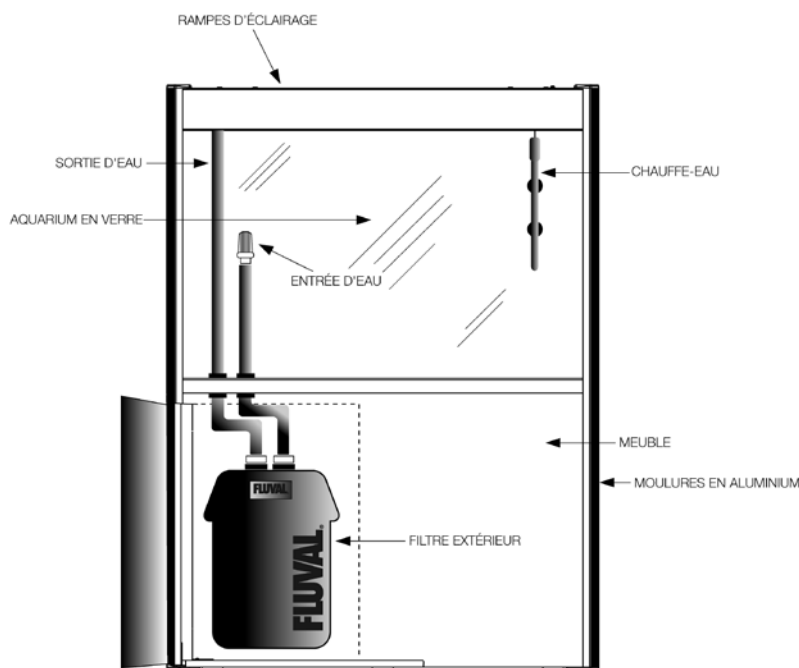
NOTES IMPORTANTES :

*La capacité de l'aquarium ne fait pas référence à la capacité maximum de l'aquarium en verre, mais à son volume d'eau approximatif jusqu'au cadre en aluminium de l'aquarium (sans gravier).

**Poids approximatif de l'aquarium et du système d'éclairage (sans eau).

***Poids approximatif de l'aquarium rempli d'eau et contenant une couche épaisse de 15 cm (6 po) de gravier seulement.

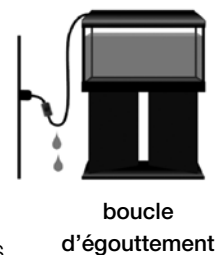
PRINCIPALES PIÈCES DES AQUARIUMS ÉQUIPÉS FLUVAL



MESURES DE SÉCURITÉ IMPORTANTES

AVERTISSEMENT – Pour éviter toute blessure, il faut observer des mesures de sécurité de base, y compris les suivantes :

1. Lire attentivement et en entier ce mode d'emploi avant d'installer l'aquarium équipé et se familiariser avec toutes les mesures de sécurité ainsi qu'avec les pièces et les termes employés. Le non-respect de ces précautions pourrait entraîner la perte de poissons ou des dommages à l'appareil. Les instructions d'assemblage du meuble et le mode d'emploi du filtre ne sont pas inclus dans ce manuel, mais sont fournis dans des manuels séparés compris dans les boîtes de carton du meuble et du filtre.
2. **DANGER** – Pour éviter tout risque de choc électrique, il faut faire particulièrement attention puisque de l'eau est utilisée avec l'équipement d'aquarium. Dans chacune des situations suivantes, ne pas essayer de réparer l'appareil soi-même; le retourner plutôt à un service autorisé de réparations ou le jeter.
 - A. Si l'appareil montre un signe de fuite d'eau anormale, le débrancher immédiatement de la source d'alimentation.
 - B. Examiner attentivement l'appareil après l'installation. Il ne devrait pas être branché s'il y a de l'eau sur des pièces ne devant pas être mouillées. Si un appareil ou une de ses pièces tombe dans l'eau, NE PAS essayer de l'attraper. Débrancher d'abord l'appareil avant de le récupérer.
 - C. Ne pas faire fonctionner un appareil dont la fiche ou le cordon sont endommagés.
 - D. Une « boucle d'égouttement », montrée sur l'illustration à côté, doit être formée par l'utilisateur pour chaque cordon électrique raccordant un appareil d'aquarium à la prise de courant. La « boucle d'égouttement » est la partie du cordon se trouvant sous la prise de courant, ou le raccord si une rallonge est utilisée. Elle empêche l'eau de glisser le long du cordon et d'entrer en contact avec la prise de courant ou la source d'alimentation. Si la fiche ou la prise de courant sont mouillées, NE PAS débrancher l'appareil. Mettre d'abord hors circuit le fusible ou le disjoncteur qui fournit l'électricité à l'appareil et le débrancher ensuite. Vérifier qu'il n'y a pas d'eau dans la prise.
 - E. Cet appareil ne doit pas être utilisé par des personnes (y compris des enfants) aux capacités physiques ou mentales réduites, à moins qu'elles soient placées sous la supervision d'une personne chargée de leur sécurité ou qu'elles en aient reçu les directives nécessaires à l'utilisation de cet appareil. Toujours surveiller les enfants pour les empêcher de jouer avec cet appareil.



- F. Pour éviter toute blessure, ne toucher aucune pièce mobile ni chaude telle que chauffe-eau, réflecteurs, tubes fluorescents, etc. Le maximum de température d'utilisation est 35 °C (95 °F).
- G. Toujours débrancher tous les appareils à l'intérieur de l'aquarium de la prise de courant avant de mettre les mains dans l'eau, d'insérer ou de retirer des pièces, et avant d'installer, d'entretenir ou de manipuler l'équipement. Au moment de déposer de l'équipement dans l'eau ou de l'en retirer, toujours le débrancher. Ne jamais tirer sur le cordon pour débrancher un appareil, mais prendre plutôt la fiche entre les doigts et tirer. Toujours débrancher tout appareil quand il n'est pas utilisé.
- H. Ne pas installer ni ranger l'appareil où il sera exposé aux intempéries ou à des températures sous le point de congélation. **POUR USAGE DOMESTIQUE ET À L'INTÉRIEUR SEULEMENT.**
- I. Si une rallonge électrique est nécessaire, vérifier qu'elle est d'un calibre suffisant. Un cordon électrique de moins d'ampères ou de watts que l'appareil peut surchauffer. Il faut prendre des précautions afin d'éviter qu'on tire sur la rallonge ou qu'on trébuche dessus.
- J. Avant de manipuler l'aquarium et le meuble, vérifier leur poids sur le tableau à la page 17 pour vous assurer de pouvoir les déplacer sans risque ni blessure.

AVERTISSEMENT – Risque de surchauffe : en aucun cas ne placer d'objets sur l'aquarium ni d'autres appareils reliés à l'aquarium. Si des pierres à air sont utilisées, toujours les garder au centre de l'aquarium afin d'éviter les fuites d'eau causées par la diffusion capillaire autour du cadre supérieur.

MESURES DE SÉCURITÉ ADDITIONNELLES POUR L'INSTALLATION ET L'ENTRETIEN D'AQUARIUMS D'EAU DE MER

Il est bien connu que l'eau de mer a des propriétés très corrosives, est conductrice d'électricité et dégrade en général les pièces en plastique et en métal à un rythme accéléré par opposition à l'eau douce. Afin de minimiser l'accumulation de sel dans l'aquarium, noter les recommandations suivantes :

1. S'assurer que les sorties du filtre ne pulvérisent pas d'eau au-dessus de la surface de l'eau; les placer en-dessous de l'eau en les inclinant légèrement vers le bas tout en permettant un mouvement en surface (qui contribue à l'oxygénation).
2. S'il est nécessaire d'employer une pompe à air, il faudra souvent enlever les dépôts de sel.
3. Autant que possible, garder le niveau d'eau constant (ajouter régulièrement de l'eau dans l'aquarium afin de compenser l'évaporation). Cela produira une salinité stable et contribuera à protéger la rampe d'éclairage.
4. Nettoyer toutes les pièces dans l'aquarium qui sont en contact avec l'eau de mer, au moins tous les 15 jours. Se servir d'un linge mouillé (ne jamais utiliser de produits chimiques ni de détergents). Utiliser tout simplement du jus de citron pour enlever les incrustations de calcaire. Rincer ensuite à fond pour éliminer les résidus acides.

CONSERVER CES INSTRUCTIONS

Les cordons électriques des rampes d'éclairage et du chauffe-eau peuvent être placés en dehors de l'aquarium à l'aide des ouvertures à l'arrière du cadre supérieur de l'aquarium.

INSTALLATION DE VOTRE AQUARIUM FLUVAL

Pour une installation et un démarrage adéquats de votre aquarium, prière de suivre les directives suivantes :

A. PRÉPARATION POUR LE DÉMARRAGE DE L'AQUARIUM ÉQUIPÉ

1. Assemblage du meuble d'aquarium.

Se reporter à la Section n° 1 de ce mode d'emploi et aux instructions d'assemblage séparées qui se trouvent dans la boîte du meuble.

2. Après vérification, installation du meuble et de l'aquarium à leur emplacement final.

Se reporter à la Section n° 1 de ce mode d'emploi.

3. Installation des moulures PROFILE en aluminium.

Se reporter à la Section n° 1 de ce mode d'emploi.

4. Installation des systèmes d'entrée et de sortie d'eau.

Se reporter à la Section n° 1 de ce mode d'emploi.

5. Installation du filtre et raccordement à l'aquarium.

Se reporter à la Section n° 2 de ce mode d'emploi.

6. Installation du chauffe-eau pour aquarium.

Se reporter à la Section n° 3 de ce mode d'emploi.

7. Décoration de l'aquarium avec du gravier, des ornements et des roches.

Se reporter à la Section n° 4 de ce mode d'emploi.

8. Aménagement des plantes à l'avant de l'aquarium.

Se reporter à la Section n° 4 de ce mode d'emploi.

9. Remplissage de l'aquarium avec de l'eau à la moitié de sa hauteur.

Se reporter à la Section n° 4 de ce mode d'emploi.

10. Aménagement des plantes hautes dans l'aquarium.

Se reporter à la Section n° 4 de ce mode d'emploi.

11. Remplissage de l'aquarium jusqu'au cadre en aluminium.

Se reporter à la Section n° 4 de ce mode d'emploi.

12. Préparation des rampes d'éclairage pour leur démarrage et installation sur le dessus de l'aquarium.

Se reporter à la Section n° 5 de ce mode d'emploi.

B. DÉMARRAGE DE L'AQUARIUM

13. Brancher le filtre extérieur.

Se reporter au mode d'emploi qui se trouve dans la boîte du filtre.

14. Brancher le chauffe-eau.

Se reporter au mode d'emploi sur l'emballage du chauffe-eau.

15. Brancher la rampe d'éclairage.

Se reporter à la Section n° 5 de ce mode d'emploi.

16. Ajouter les poissons dès que l'aquarium est arrivé à maturité.

ENTRETIEN

Pour toute opération d'entretien de l'aquarium en verre et des rampes d'éclairage.

Se reporter à la Section n° 6 de ce mode d'emploi.

Pour toute opération d'entretien du filtre ou du chauffe-eau pour aquarium.

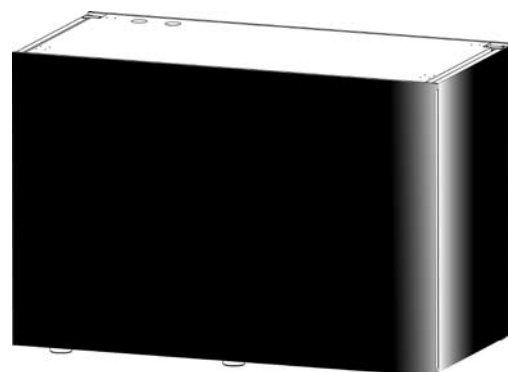
Se reporter aux modes d'emploi qui se trouvent dans les emballages respectifs.

SECTION N° I INSTALLATION DU MEUBLE D'AQUARIUM - VÉRIFICATION ET INSTALLATION DE L'AQUARIUM EN VERRE - INSTALLATION DES MOULURES EN ALUMINIUM

ASSEMBLAGE DU MEUBLE D'AQUARIUM

Ne pas essayer d'installer le meuble sans lire et suivre les instructions d'assemblage.

Le feuillet d'instructions est inclus avec le meuble. S'il est manquant ou inutilisable, contacter le personnel du magasin ou le Service à la clientèle de Hagen pour en obtenir une copie.



L'aquarium Fluval doit être placé sur le meuble Fluval approprié et conçu pour cet aquarium. Les meubles Fluval garantissent une surface solide convenable et de niveau, qui ne pliera pas et ne gondolera pas. L'utilisation de tout autre type de support invalidera votre garantie. Ne jamais essayer de déplacer ou de transporter le meuble avec l'aquarium en verre ou tout autre poids sur le dessus.

Retirer tout le contenu de la boîte. Avant de commencer, identifier toutes les pièces nécessaires à l'assemblage, les compter et vérifier qu'elles sont toutes incluses. S'il manque des pièces, ne pas procéder à l'installation et contacter le personnel du magasin ou le Service à la clientèle de Hagen. Assembler le meuble selon toutes les instructions.

Après avoir terminé l'assemblage, vérifier que TOUTES les pièces ont été adéquatement utilisées. Le meuble pour aquarium est fabriqué en bois. Nous recommandons de garder toutes les surfaces du meuble sèches.

VÉRIFICATION DE L'AQUARIUM EN VERRE

L'aquarium en verre est muni de cadres inférieur et supérieur en aluminium, qui y sont fixés. Ne pas essayer d'enlever les cadres inférieur et supérieur. Même si l'aquarium en verre a été fabriqué avec le plus grand soin et les meilleures techniques de pointe qui soient, il faut l'inspecter soigneusement afin de s'assurer qu'il n'a pas été endommagé au cours de la manutention et du transport.

L'aquarium est en verre. Il faut toujours le manipuler avec le plus grand soin.

Ne jamais essayer de déplacer ou de transporter l'aquarium s'il n'a pas été complètement vidé de son eau ou de tout autre matériau.

Toujours faire attention de ne pas endommager les joints sur le bord des panneaux en verre durant l'entretien de l'aquarium. Ne jamais utiliser de substances toxiques ni abrasives pour nettoyer l'aquarium.

INSTALLATION DU MEUBLE ET DE L'AQUARIUM À LEUR EMPLACEMENT FINAL

L'emplacement de l'aquarium est très important. Il faut le placer loin de la lumière directe du soleil. Cela réduira l'accumulation excessive d'algues et préviendra tout excès de chaleur. Garder l'aquarium loin de toute autre source de chaleur (conduits d'air, radiateurs, etc.) pour conserver une température adéquate. Les courants d'air sont également à éviter. Ne pas placer l'aquarium à un endroit où des renversements d'eau pourraient l'endommager.

Les dimensions et la structure du meuble sont tout spécialement conçues pour supporter le poids d'un aquarium complètement rempli. L'emploi d'un meuble ou d'un support différent peut être dangereux et annulera la garantie de l'aquarium.

AVERTISSEMENT - S'assurer que l'endroit choisi peut supporter le poids total du meuble et d'un aquarium complètement rempli.

L'emplacement choisi devrait avoir une surface lisse et de niveau. Placer l'aquarium et le meuble près d'une prise de courant.

Une fois le meuble en place, employer un niveau à bulle pour s'assurer qu'il est parfaitement de niveau.

IMPORTANT : Placer l'aquarium directement sur le meuble sans aucun support additionnel ni autre matériau souple entre les deux. NE JAMAIS insérer un revêtement entre le meuble et l'aquarium.

INSTALLATION DES MOULURES PROFILE EN ALUMINIUM

1) Avant de commencer, vérifier qu'il y a bel et bien quatre moulures en aluminium.

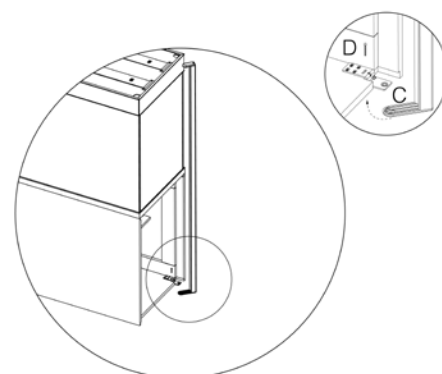
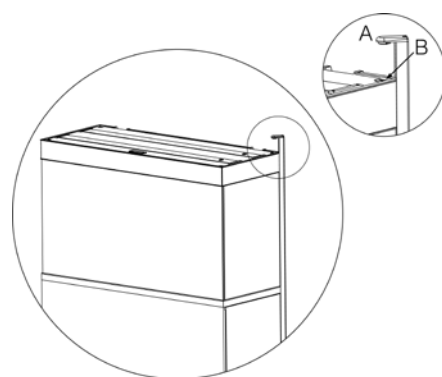
2) Nettoyer la surface de toute poussière ou saleté avec un linge humide avant l'application. N'utiliser aucun détergent fort ni abrasif qui pourrait endommager la surface.

3) Sécher la surface à fond.

4) Ouvrir la porte de côté du meuble.

5) Placer la barre de retenue en plastique du haut (A) sur le coin du cadre de la rampe d'éclairage (B).

6) Insérer la barre de retenue en plastique (C) en-dessous du meuble. Aligner le trou dans la barre de retenue en plastique sur le trou dans la base du meuble.



7) De l'intérieur de la base du meuble, fixer la barre de retenue du bas en faisant passer les vis au travers de la base du meuble et de la barre de retenue (D). **NE PAS TROP SERRER.**

8) Répéter les étapes 4 à 7 pour chacune des moulures PROFILE en aluminium.

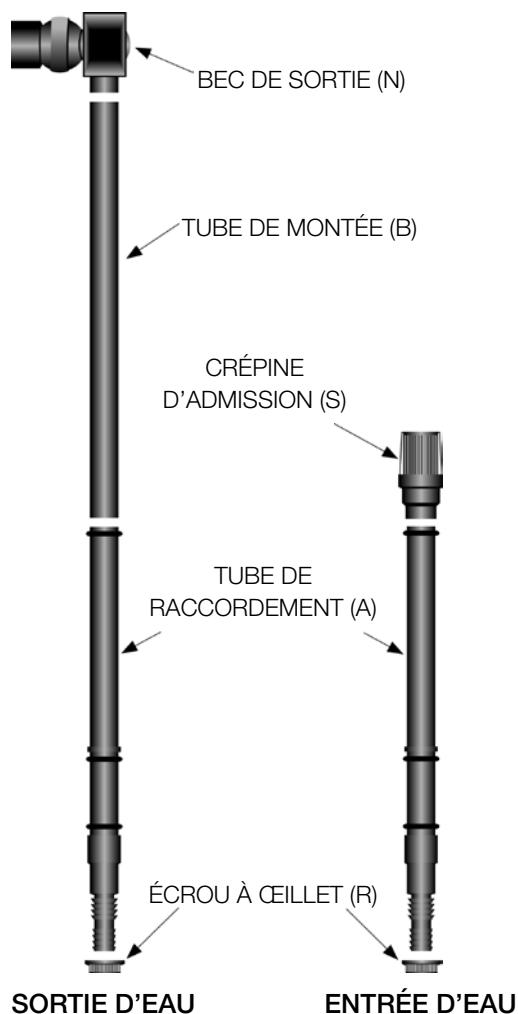
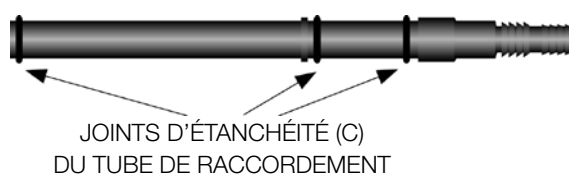
Note : Pour les modèles PROFILE 850, 1000 et 1200, les moulures sont emballées séparément de l'aquarium en verre. Pour le modèle PROFILE 1500, les moulures se trouvent à l'intérieur de l'aquarium.

INSTALLATION DES SYSTÈMES D'ENTRÉE ET DE SORTIE D'EAU AVEC LE SYSTÈME « EASY-CONNECT »

Tous les aquariums PROFILE Fluval sont munis du système innovateur « Easy-Connect » qui permet de raccorder directement l'aquarium au filtre extérieur à travers la paroi en verre du fond, à l'aide de raccords spéciaux. Avec d'autres systèmes, le même type de raccordement est réalisé en se servant de mécanismes complexes nécessitant souvent les services de techniciens experts. Avec le système Easy-Connect, l'installation s'effectue facilement et en toute sécurité, donnant ainsi à l'aquarium une apparence propre et soignée.

Avant l'installation, identifier et compter toutes les pièces requises en consultant les illustrations d'assemblage sur cette page. S'il manque des pièces, ne pas procéder à l'installation et contacter le personnel du magasin ou le service à la clientèle de Hagen.

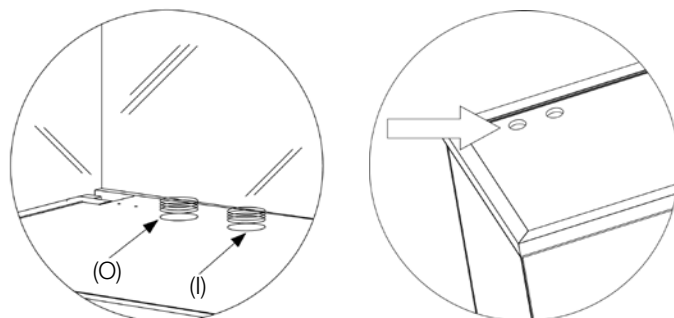
Avant de continuer, vérifier les tubes (A) et s'assurer que les trois (3) joints d'étanchéité (C) y sont. Ne pas procéder à l'installation si un des joints d'étanchéité (C) manque et contacter le personnel du magasin ou le service à la clientèle de Hagen.



Localiser les deux ouvertures (O) et (I) dans le fond en verre de l'aquarium et les trous correspondants dans le meuble. Les deux ouvertures dans le fond en verre de l'aquarium sont munies de bouchons spéciaux en plastique, installés en usine, qui ne doivent jamais être enlevés ni tournés ni desserrés. Le tube de sortie d'eau devrait être installé dans l'ouverture (O) et celui de l'entrée d'eau dans l'ouverture (I).

Une fois les tubes d'entrée et de sortie d'eau installés, ne pas déplacer l'aquarium sur le meuble pour ne pas endommager les systèmes d'entrée et de sortie d'eau ni l'aquarium en verre. Ne pas forcer ni desserrer ni tourner les bouchons spéciaux en plastique, installés en usine, dans les ouvertures (O) et (I) du fond en verre de l'aquarium.

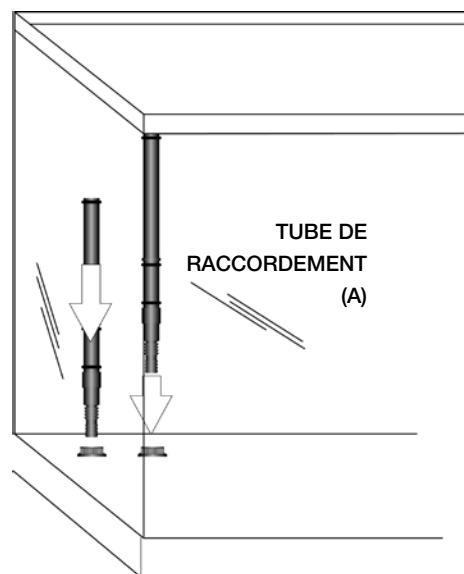
LOCALISER LES DEUX OUVERTURES DANS LE FOND EN VERRE DE L'AQUARIUM ET S'ASSURER DE LES ALIGNER SUR LES OUVERTURES CORRESPONDANTES DU MEUBLE.



Installation du tube de sortie d'eau

1. Glisser complètement le tube de raccordement (A) dans l'ouverture (O) jusqu'à ce qu'il bloque (ill. 1).
2. Ouvrir le meuble. Visser et serrer l'écrou à œillet (R) à l'extrémité inférieure du tube de raccordement (A) (ill. 2).
3. Insérer le bec de sortie (N) dans une extrémité du tube de montée (B).
4. Joindre le tube de montée (B) au tube de raccordement (A) (ill. 3).
5. Ajuster la hauteur du bec de sortie au besoin en glissant le tube de montée (B) le long du tube de raccordement (A).
6. Le bec de sortie (N) peut être facilement tourné pour dévier le débit d'eau à l'endroit désiré.

Diriger les jets d'eau de manière à empêcher l'eau de déborder de l'aquarium. Éviter de diriger les jets d'eau directement vers les rampes d'éclairage.



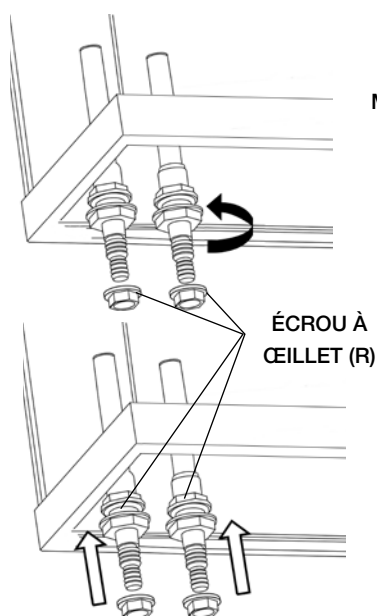
ill. 1

Installation du tube d'entrée d'eau

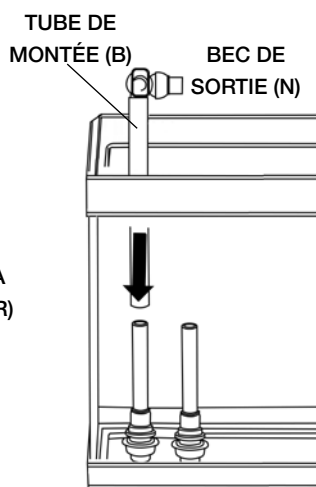
1. Glisser complètement le tube de raccordement (A) dans l'ouverture (I) jusqu'à ce qu'il bloque (ill. 1).
2. Ouvrir le meuble. Visser et serrer l'écrou à œillet (R) à l'extrémité inférieure du second tube de raccordement (A) (ill. 2).
3. Insérer la crépine d'admission (S) dans le tube de raccordement (A) (ill. 4).

La hauteur de la crépine d'admission est suffisante pour convenir à la plupart des ornements standards d'aquarium. Le moment venu de décorer l'aquarium, vérifier que la crépine d'admission est à au moins 5 cm (2 po) du fond de gravier en tout temps afin de l'empêcher d'aspirer le gravier ou le sable et de s'assurer que les ornements ne bloquent pas le passage de l'eau. Les ornements et les roches devraient être placés tandis que l'aquarium est encore sec.

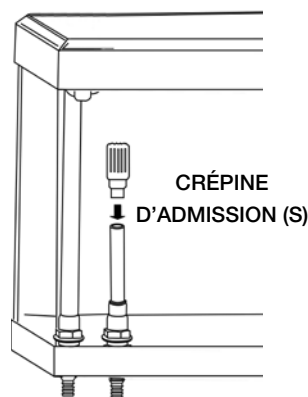
ATTENTION! Ne jamais forcer latéralement les tubes de raccordement (A), pour éviter d'endommager l'aquarium et les systèmes d'entrée et de sortie d'eau.



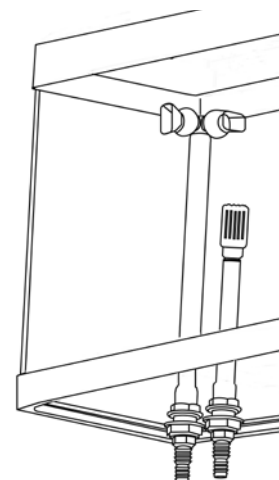
ill. 2



ill. 3



ill. 4

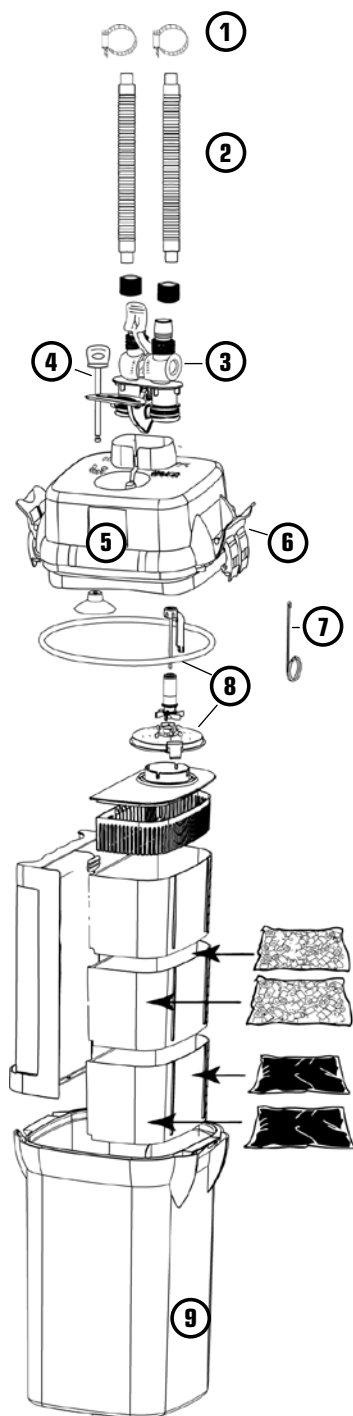


ill. 5

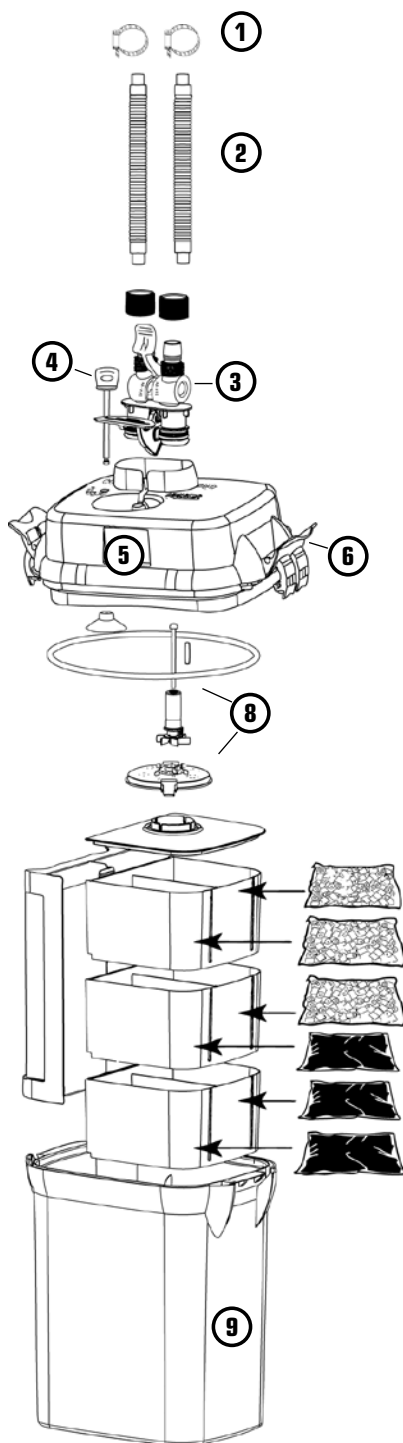
SECTION N° 2 INSTALLATION DU FILTRE EXTÉRIEUR FLUVAL

PIÈCES DU FILTRE FLUVAL

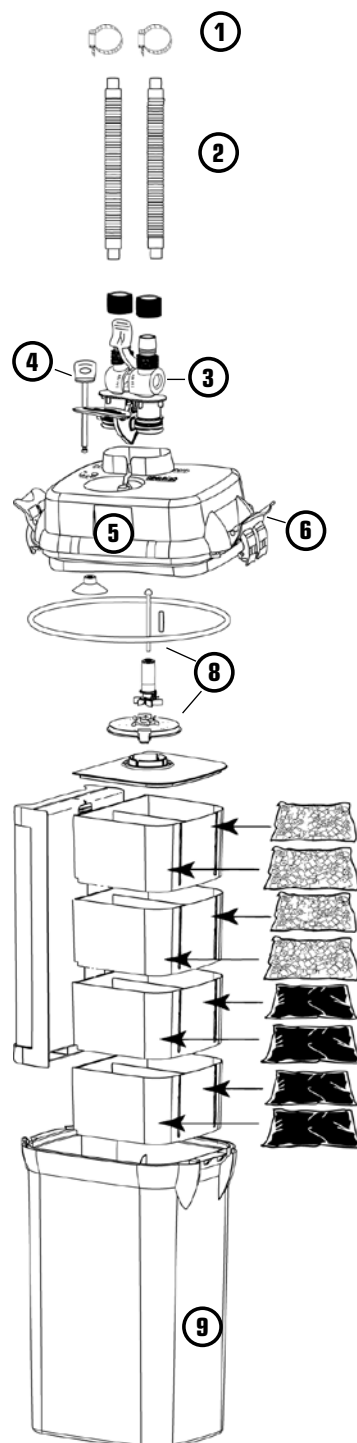
FLUVAL 205
PROFILE 850



FLUVAL 305
PROFILE 1000
PROFILE 1500



FLUVAL 405
PROFILE 1200



IMPORTANT : Étant donné que le filtre est raccordé directement à l'aquarium, par le fond en verre, la clé d'amorçage automatique (pièce n° 4) n'est pas requise. **Toujours garder la clé d'amorçage automatique dirigée vers le bas.**

INSTALLATION DU FILTRE FLUVAL

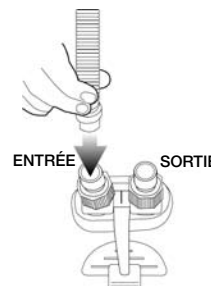
- Déballer et identifier toutes les pièces.** Ce filtre ne peut être installé qu'avec les aquariums équipés Fluval munis d'un système de raccordement en-dessous de l'aquarium.
- Préparer les raccords d'entrée et de sortie d'eau.**



Retirer la soupape AquaStop (3) du couvercle du boîtier (5) en soulevant d'abord la manette noire jusqu'en haut et en soulevant ensuite complètement la manette gris argenté.

La manette noire ferme et ouvre l'AquaStop. Quand cette manette est complètement dirigée vers le haut, les soupapes sont entièrement fermées et ne permettent pas à l'eau de circuler entre le filtre et l'aquarium. Lorsque la manette noire est complètement dirigée vers le bas, les soupapes sont entièrement ouvertes et permettent un débit d'eau maximum entre le filtre et l'aquarium.

La manette gris argenté verrouille l'AquaStop au couvercle du boîtier (5). Lorsque la manette gris argenté est complètement dirigée vers le haut, l'AquaStop est détachée du couvercle du boîtier (5). Important : Afin d'éviter un renversement d'eau, la manette gris argenté n'est pas fonctionnelle si la manette noire n'est pas complètement dirigée vers le haut.



Raccorder les tuyaux striés (2) à l'AquaStop (3)

Raccorder le premier tuyau au raccord **ENTRÉE** et le second tuyau au raccord **SORTIE** de l'AquaStop de la façon suivante :

- Pousser une extrémité du tuyau dans la soupape, aussi loin que possible.
- Tourner l'écrou de blocage dans le sens inverse des aiguilles d'une montre aussi serré que possible, mais sans forcer.

Raccorder les tuyaux striés aux tubes d'entrée et de sortie d'eau installés à la Section n° 1

Ouvrir le meuble. Raccorder l'extrémité libre du tuyau strié (2) qui est fixé au raccord **ENTRÉE** de l'AquaStop (3) au tube de raccordement fixé à **l'entrée d'eau de l'aquarium** et raccorder ensuite l'extrémité libre du tuyau strié (2) qui est fixé au raccord **SORTIE** de l'AquaStop (3) au tube de raccordement fixé à **la sortie d'eau de l'aquarium**, de la façon suivante :

- Desserrer le collier de serrage (1) et le glisser sur l'extrémité libre du tuyau (2).
- Pousser l'extrémité du tuyau sur le tube de raccordement de l'aquarium, aussi loin que possible.
- Placer le collier de serrage sur le raccord en caoutchouc et serrer avec un tournevis.

AVERTISSEMENT - En tout temps, éviter de forcer latéralement les tuyaux striés près des raccords de l'AquaStop et des tubes de raccordement enfin d'empêcher ces tuyaux de sortir de leurs raccords et de vider l'aquarium par le fait même.

3. Préparer le filtre

IMPORTANT : Les masses filtrantes (charbon et BIOMAX) fournies avec votre filtre Fluval ont été placées délibérément dans un ordre établi (paniers supérieur, central et inférieur) pour indiquer leur **emplacement recommandé** pour une filtration de base optimale. Vous assurer de noter ce positionnement et de placer les masses filtrantes dans les paniers aux **mêmes niveaux** lorsque vous préparerez le filtre pour l'utilisation.

Pour plus d'information sur les options de masses filtrantes pour le filtre extérieur Fluval, visiter www.hagen.com.

1. Sortir du boîtier du filtre le cadre de l'épurateur-mousse, le couvercle des paniers de filtration et les paniers de filtration. Au moment de retirer le charbon et BIOMAX de leurs paniers, noter à quel niveau ils se trouvaient. Retirer le charbon et les cylindres BIOMAX de leur emballage extérieur. Ne pas enlever le charbon de son sac ou de ses sacs poreux.

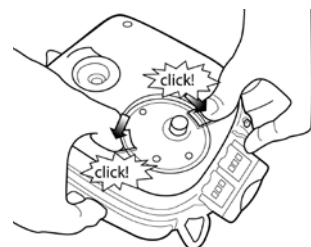
2. Rincer les paniers et les masses filtrantes à l'eau courante du robinet pour enlever tout excès de poussière et placer les masses filtrantes dans les paniers. Au besoin, ajouter une autre masse filtrante, au choix. **Se reporter au mode d'emploi qui se trouve dans la boîte du filtre pour plus d'information.**

3. Placer les paniers de filtration rincés et remplis dans le boîtier du filtre et remettre le couvercle sur le dessus du panier supérieur.

IMPORTANT : S'assurer que les masses filtrantes sont positionnées au même niveau où elles étaient au moment de l'emballage à moins de choisir délibérément un plan de filtration différent de l'installation de base recommandée. **Ne jamais trop remplir les paniers de filtration. Si le couvercle ou les paniers sont en mauvaise position, il se peut que le couvercle (5) ne ferme pas bien.**



4. Rincer les deux côtés du cadre de l'épurateur-mousse à l'eau du robinet avant la première utilisation pour enlever tout contaminant éventuel et le replacer dans le boîtier, l'extrémité aplatie vers le bas. **Si le cadre ne rentre pas bien, vous assurer qu'il n'est pas à l'envers.**



5. Compléter l'assemblage du couvercle du boîtier :

- a. Placer le couvercle du boîtier à l'envers sur une surface lisse. Retirer le joint d'étanchéité lubrifié de son sac en plastique. Pour sceller correctement l'ouverture du couvercle, le joint doit être humide, mais pas mouillé. Insérer avec soin le joint d'étanchéité dans la rainure autour de la base du couvercle.
- b. Placer le couvercle de la couronne sur la couronne. Aligner l'arbre de la couronne afin qu'il s'insère dans son support en caoutchouc dans le couvercle; presser tout autour du couvercle et sur les fermoirs jusqu'à ce qu'un déclic indique qu'ils sont verrouillés.



6. **Placer le couvercle sur le boîtier.** S'assurer de le placer correctement. Il n'y a qu'une orientation possible. Vérifier que les logos MSF sur le couvercle et sur le boîtier sont alignés et que le cordon d'alimentation entre dans l'encoche sur le cadre du boîtier.

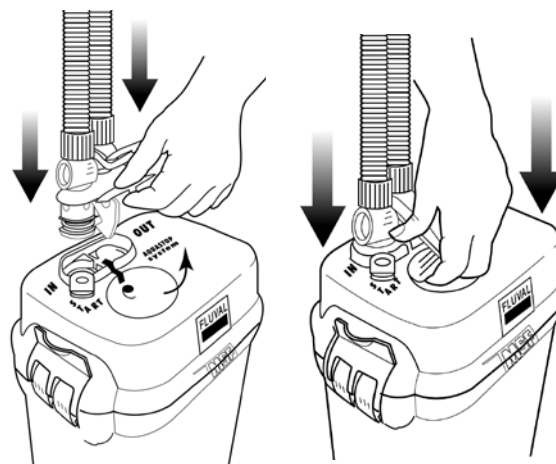
7. **Verrouiller le couvercle en place :** pousser les deux attaches des manettes de blocage/débloqué instantanés sous le cadre, puis presser fermement les attaches en caoutchouc contre le couvercle.

NE PAS REMPLIR LE BOÎTIER D'EAU

8. Placer le filtre dans sa position finale à l'intérieur du meuble.

9. Insérer la soupape AquaStop dans les raccords d'entrée et de sortie sur le couvercle et pousser sur la manette gris argenté pour la verrouiller en place.

10. Garder la soupape AquaStop fermée en soulevant la manette noire jusqu'en haut.



11. **NE PAS BRANCHER LE FILTRE MAINTENANT.** Le filtre est prêt pour le démarrage; cependant, il faudra le faire fonctionner seulement une fois que tous les accessoires dans l'aquarium auront été installés et que l'aquarium sera rempli d'eau. Pour le démarrage du filtre, se reporter au mode d'emploi qui se trouve dans la boîte du filtre pour plus d'information.

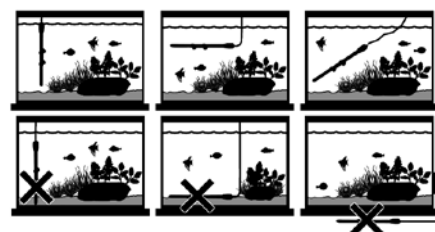
SECTION N° 3 INSTALLATION DU CHAUFFE-EAU POUR AQUARIUM

INSTALLATION DU CHAUFFE-EAU

Position du chauffe-eau

Le chauffe-eau de l'aquarium doit être installé pour permettre la libre circulation de l'eau autour de son tube en verre. En général, le chauffe-eau devrait être placé à l'arrière de l'aquarium, de préférence près d'une source de mouvement d'eau pour assurer une distribution égale et complète d'eau réchauffée. Vérifier qu'il n'y a ni roches, ni décorations, ni gravier obstruant ou touchant le chauffe-eau parce qu'ils causeront un chauffage inégal dans le tube en verre et le rendront moins résistant.

ATTENTION! Le niveau d'eau doit être maintenu au niveau indiqué sur le tube en verre du chauffe-eau. Il faut toujours garder le niveau d'eau constant dans l'aquarium pour compenser la perte d'eau due à l'évaporation.



Préparation du chauffe-eau

1. Régler le chauffe-eau à la température appropriée à l'aide du cadran de température numéroté.
2. Installer le chauffe-eau dans l'aquarium avec le support de montage qui y est fixé. Presser les ventouses fermement contre le verre afin qu'elles collent à la paroi de l'aquarium.
3. **NE PAS BRANCHER LE CHAUFFE-EAU MAINTENANT. Le chauffe-eau est prêt pour le démarrage, mais il faudra le faire fonctionner seulement après avoir fini d'installer tous les accessoires dans l'aquarium et de l'avoir rempli d'eau. Pour le démarrage du chauffe-eau, se reporter au mode d'emploi indiqué sur l'emballage.**

SECTION N° 4 DÉCORATION DE L'AQUARIUM AVEC DU GRAVIER, DES ORNEMENTS ET DES ROCHES

Débrancher et retirer les rampes d'éclairage et leur couvercle du dessus de l'aquarium pour accéder complètement à l'aquarium. Les ornements et les roches devraient être installés pendant que l'aquarium est encore sec. Rincer le gravier pour aquarium ou le substrat marin avant de les placer dans le fond de l'aquarium. Dans la plupart des cas, une couche de 5 à 10 cm (2 - 4 po) de gravier ordinaire pour aquarium (ou de coraux broyés pour milieu marin) est suffisante. En utiliser davantage si un aménagement de plantes vivantes est prévu. Il est recommandé de créer une pente descendante au gravier de l'arrière à l'avant, pour un meilleur effet.

Pour décorer l'aquarium, il faut s'assurer que la crépine d'admission du filtre dépasse d'au moins 5 cm (2 po) du fond de gravier pour empêcher le filtre d'aspirer du gravier ou du sable.

Il faut aussi s'assurer qu'il n'y a pas de roches, d'ornements ni de gravier obstruant ou touchant le chauffe-eau.

ATTENTION! Ne placer aucune roche en contact direct avec le fond en verre de l'aquarium. Toujours garder au moins 5 cm (2 po) de gravier entre les roches et le fond en verre.

ATTENTION! Manipuler avec grand soin tout objet dur et lourd tel que des roches décoratives afin d'éviter d'endommager les parois en verre de l'aquarium. Toujours éviter de frapper ces objets contre le verre.

ATTENTION! Ne pas entourer les tubes d'entrée et de sortie d'eau de roches ni de décorations lourdes afin d'éviter de forcer latéralement les tubes de raccordement (A).

Planter de petites plantes dans l'aquarium

Alors que l'aquarium ne contient pas encore d'eau, y aménager de petites plantes. S'assurer que toutes les plantes vivantes sont profondément enracinées dans le gravier.

Remplir l'aquarium à moitié d'eau et y aménager des plantes hautes

Remplir l'aquarium environ à moitié d'eau avant d'aménager les plantes hautes. L'eau contribuera à faciliter la tâche. Afin de minimiser le déplacement des décorations tout en remplissant l'aquarium, déposer une assiette propre sur le gravier au fond de l'aquarium et verser ensuite de l'eau sur l'assiette. Nous recommandons de remplir l'aquarium avec de l'eau dont la température est semblable à la température visée. S'assurer que toutes les plantes vivantes sont profondément enracinées dans le gravier.

Remplir l'aquarium

Une fois les plantes ajoutées, remplir l'aquarium jusqu'au bas du cadre en aluminium.

IMPORTANT : Ne pas trop remplir. Sinon, l'eau s'infiltrera en-dessous du cadre supérieur et s'écoulera à l'extérieur de l'aquarium.

SECTION N° 5 INSTALLATION DE LA RAMPE D'ÉCLAIRAGE ET PRÉPARATION AU DÉMARRAGE

PIÈCES DE LA RAMPE D'ÉCLAIRAGE

La rampe d'éclairage consiste en :

- 1 **CADRE** d'aquarium en aluminium fixé à l'aquarium;
- 3 **COUVERCLES** pour ouvrir et fermer l'aquarium;
- 2 **RAMPES D'ÉCLAIRAGE** pour 4 tubes fluorescents T5HO

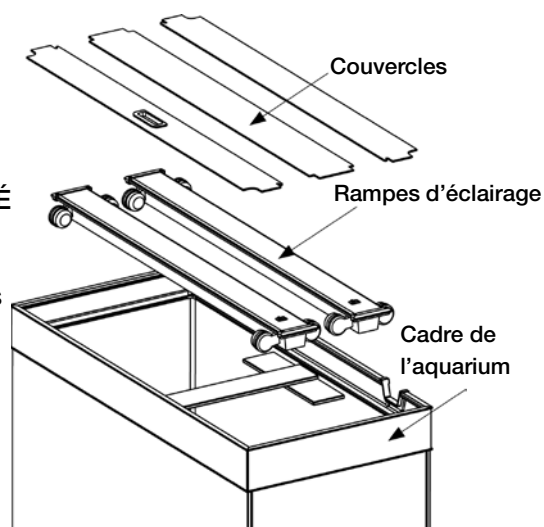
Toutes les rampes d'éclairage sont équipées d'un ballast électronique pour un maximum de performance et d'efficacité. Selon le modèle, la rampe d'éclairage peut être équipée d'un interrupteur sur le cordon d'alimentation ou d'un commutateur à bascule sur le dessus de la rampe.

MESURES DE SÉCURITÉ IMPORTANTES POUR L'UTILISATION DE LA RAMPE D'ÉCLAIRAGE

AVERTISSEMENT – Pour éviter toute blessure, il faut observer des mesures de sécurité de base, y compris les suivantes :

1. **LIRE ET RESPECTER TOUTES LES CONSIGNES DE SÉCURITÉ** avant usage et tous les avis importants apparaissant sur l'appareil avant d'utiliser la RAMPE D'ÉCLAIRAGE. Le non-respect de ces précautions pourrait entraîner la perte de poissons ou des dommages à l'appareil.

2. **DANGER** – Pour éviter tout risque de choc électrique, il faut faire particulièrement attention puisque de l'eau est utilisée avec l'équipement d'aquarium. Dans chacune des situations suivantes, ne pas essayer de réparer l'appareil soi-même; le retourner plutôt à un service autorisé de réparations ou le jeter.



- A. Si l'appareil tombe dans l'eau, NE PAS le ramasser! Il faut d'abord le débrancher, puis le récupérer. Si des pièces électriques de l'appareil se mouillent, débrancher immédiatement l'appareil.
- B. Si l'appareil montre un signe de fuite anormale d'eau ou si le disjoncteur différentiel (ou disjoncteur de fuite de terre) s'éteint, débrancher d'abord le cordon de la source d'alimentation et retirer l'appareil de l'eau.
- C. Examiner attentivement l'appareil après l'installation. Il ne devrait pas être branché s'il y a de l'eau sur des pièces ne devant pas être mouillées.
- D. Ne pas faire fonctionner un appareil dont le cordon ou la fiche sont endommagés, qui ne fonctionne pas correctement ou qui est tombé ou a été endommagé d'une manière quelconque. Le cordon d'alimentation de cet appareil ne peut pas être remplacé; si le cordon est endommagé, il faut jeter l'appareil. Ne jamais couper le cordon.
- E. Afin d'éviter que la fiche ou la prise de courant de l'appareil soient mouillées, former une boucle d'égouttement en suivant les directives énoncées dans la section « MESURES DE SÉCURITÉ IMPORTANTES » de l'introduction de ce mode d'emploi.

3. Cet appareil ne doit pas être utilisé par des personnes (y compris des enfants) aux capacités physiques ou mentales réduites, à moins qu'elles soient placées sous la supervision d'une personne chargée de leur sécurité ou qu'elles en aient reçu les directives nécessaires à l'utilisation de cet appareil. Toujours surveiller les enfants pour les empêcher de jouer avec cet appareil.

4. Pour éviter toute blessure, ne toucher aucune pièce chaude telle que chauffe-eau, réflecteurs ou tubes fluorescents, etc.

5. **ATTENTION!** Toujours débrancher tous les appareils dans l'aquarium de la source d'alimentation électrique avant de mettre les mains dans l'eau, d'installer ou d'enlever des pièces et pendant que la RAMPE D'ÉCLAIRAGE est installée, entretenue ou manipulée. Ne jamais tirer sur le cordon pour débrancher un appareil, mais prendre plutôt la fiche entre les doigts et tirer. Toujours débrancher tout appareil quand il n'est pas utilisé.

6. Cette RAMPE D'ÉCLAIRAGE POUR AQUARIUM est non submersible, convient à un USAGE DOMESTIQUE ET À L'INTÉRIEUR SEULEMENT, ne doit être assemblée que sur les CADRES SUPÉRIEURS des aquariums PROFILE Fluval pour les aquariums d'eau douce ou d'eau de mer dont la température de l'eau maximum est de 35 °C (95 °F). Ne pas utiliser cet appareil pour d'autres aquariums ou applications. L'emploi de fixations ni recommandées ni vendues par le fabricant de l'appareil peut être source de situations dangereuses.

7. **IMPORTANT** : Utiliser seulement des tubes fluorescents T5HO standards pour aquariums selon la puissance indiquée sur l'étiquette de données électriques apparaissant sur la rampe d'éclairage.

8. Ne pas installer ni ranger cet appareil où il sera exposé aux intempéries ou à des températures sous le point de congélation.

9. **IMPORTANT** : S'assurer que la RAMPE D'ÉCLAIRAGE est installée solidement et correctement avant de la faire fonctionner et que la distance minimale entre le bas de la rampe d'éclairage et la surface de l'eau est de 15 mm (0,6 po). Cette RAMPE D'ÉCLAIRAGE ne doit jamais fonctionner dans l'eau.

AVERTISSEMENT - L'utilisation sécuritaire de cette rampe d'éclairage est garantie à condition que les deux tubes soient insérés et que tous les raccords filetés soient convenablement installés.

10. Si une rallonge électrique est nécessaire, vérifier qu'elle est d'un calibre suffisant. Un cordon électrique de moins d'ampères ou de watts que l'appareil peut surchauffer. Il faut prendre des précautions afin d'éviter qu'on tire sur la rallonge ou qu'on trébuche dessus.

11. **AVERTISSEMENT** - Risque de surchauffe : en aucun cas ne placer d'objets sur la rampe d'éclairage. Vérifier qu'il y a suffisamment d'espace pour la circulation d'air autour de la rampe d'éclairage.

12. **(Pour l'Amérique du Nord seulement)** Cet appareil est muni d'une fiche polarisée (une lame est plus large que l'autre). Comme dispositif de sécurité, cette fiche se branchera sur une prise polarisée d'un seul côté seulement. Si la fiche n'entre pas complètement dans la prise, l'essayer de l'autre côté. S'il est toujours impossible de brancher la fiche sur la prise, contacter un électricien qualifié pour inspecter la prise et effectuer les modifications nécessaires. Ne jamais utiliser une rallonge à moins de pouvoir y insérer complètement la fiche. Ne pas essayer d'aller à l'encontre de ce dispositif de sécurité.

CONSERVER CES INSTRUCTIONS

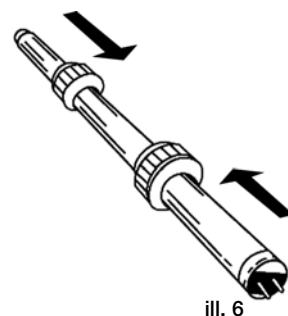
Pour bien comprendre le fonctionnement de cet appareil, il est recommandé de lire le mode d'emploi au complet. Le non-respect de cette directive pourrait entraîner des dommages à l'appareil.

PRÉPARATION ET INSTALLATION DES RAMPES D'ÉCLAIRAGE

Tous les modèles des aquariums PROFILE Fluval sont munis de 2 rampes d'éclairage chacun. Chaque rampe d'éclairage comprendra deux (2) tubes fluorescents T5HO. Les tubes fluorescents T5HO fournis doivent être installés dans chacune des rampes d'éclairage.

1. Dévisser le raccord fileté vissé à la douille d'une main tout en supportant la douille avec l'autre main (afin d'empêcher le bris accidentel de cette pièce en plastique). Répéter cette procédure à chaque bout de la rampe d'éclairage.

2. Glisser les deux raccords filetés avec leur joint d'étanchéité vers le milieu du nouveau tube fluorescent pour que le filetage soit dirigé vers l'extérieur (comme montré à l'illustration 6).



S'assurer que les joints d'étanchéité sont correctement en place.

3. Insérer délicatement les broches du nouveau tube fluorescent dans les fentes de la douille à chaque extrémité de la rampe d'éclairage.

3A. Faire tourner les tubes fluorescents d'un quart de tour ou à 90°, jusqu'à ce qu'il y ait un déclic.

4. Soutenir avec précaution les douilles avec une main et visser doucement les raccords filetés avec l'autre main. Serrer fermement ces raccords à la main; l'utilisation d'un outil n'est pas recommandée. S'assurer que les raccords filetés sont complètement vissés. Ces pièces sont en plastique, il faut éviter de les endommager en les vissant à l'envers.

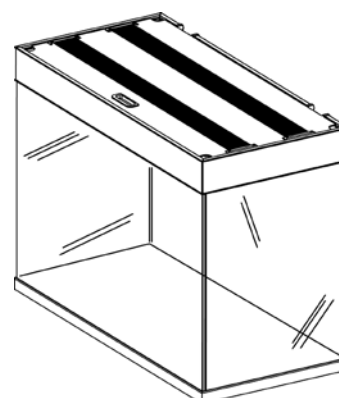
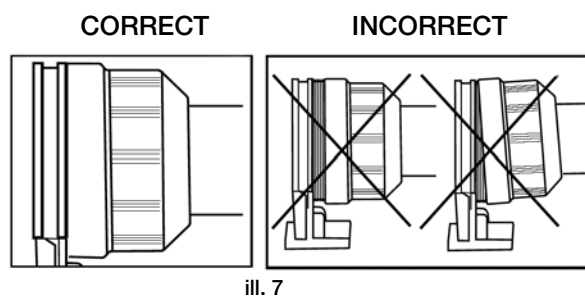
5. Replacer la rampe d'éclairage sur l'aquarium et installer les 3 couvercles.

6. Répéter les étapes 1 à 4 pour la deuxième rampe d'éclairage.

AVERTISSEMENT - Vérifier qu'il n'y a aucun filetage ni écart visible entre la douille et le raccord fileté. S'assurer que les raccords filetés ne sont pas vissés à l'envers dans les douilles. (ill. 7)

Visser complètement les raccords filetés dans les douilles afin d'empêcher l'humidité de se former et pour prévenir la corrosion des contacts électriques.

AVERTISSEMENT - L'utilisation sécuritaire de cette rampe d'éclairage est garantie à condition que les deux tubes soient insérés et que tous les raccords filetés soient convenablement installés.



Déposer d'abord la ou les rampes d'éclairage et placer ensuite les couvercles sur le cadre supérieur pour fermer complètement l'aquarium.

NE PAS BRANCHER IMMÉDIATEMENT. Les rampes d'éclairage sont prêtes pour le démarrage, mais il faudra les faire fonctionner seulement après avoir fini d'installer tous les accessoires dans l'aquarium.

SECTION N° 6 ENTRETIEN

AVERTISSEMENT - Toujours débrancher tous les appareils dans l'aquarium de la source d'alimentation électrique avant de mettre les mains dans l'eau, d'insérer ou de retirer des pièces et chaque fois que des appareils sont installés, entretenus ou manipulés.

I. ENTRETIEN DE L'AQUARIUM EN VERRE

L'aquarium ne requiert pas d'entretien particulier sauf un nettoyage régulier. **Il faut toujours faire particulièrement attention pour ne pas endommager les joints en silicone durant le nettoyage ou l'entretien d'un aquarium.**

Ne JAMAIS utiliser de savon, de détergent, ni aucune autre substance chimique forte pour nettoyer un aquarium afin de ne pas endommager les joints en silicone.

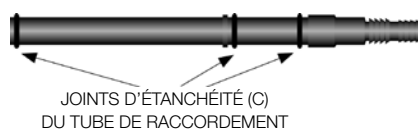
Dans le cas d'aquariums d'eau de mer, observer les recommandations suivantes :

MESURES DE SÉCURITÉ ADDITIONNELLES POUR L'INSTALLATION ET L'ENTRETIEN D'AQUARIUMS D'EAU DE MER

Il est bien connu que l'eau de mer a des propriétés très corrosives, est conductrice d'électricité et dégrade en général les pièces en plastique et en métal à un rythme accéléré par opposition à l'eau douce. Afin de minimiser l'accumulation de sel dans l'aquarium, noter les recommandations suivantes :

1. S'assurer que les sorties du filtre ne pulvérisent pas d'eau au-dessus de la surface de l'eau; les placer en-dessous de l'eau en les inclinant légèrement vers le bas tout en permettant un mouvement en surface (qui contribue à l'oxygénation).
2. S'il est nécessaire d'employer une pompe à air, il faudra souvent enlever les dépôts de sel.
3. Autant que possible, garder le niveau d'eau constant (ajouter régulièrement de l'eau dans l'aquarium afin de compenser l'évaporation). Cela produira une salinité stable et contribuera à protéger la rampe d'éclairage.
4. Nettoyer toutes les pièces dans l'aquarium qui sont en contact avec l'eau de mer, au moins tous les 15 jours. Se servir d'un linge mouillé (ne jamais utiliser de produits chimiques ni de détergents). Utiliser tout simplement du jus de citron pour enlever les incrustations de calcaire. Rincer ensuite à fond pour éliminer les résidus acides.

PIÈCES DE RECHANGE



Bec de sortie (N) : 15470 pour tous les modèles

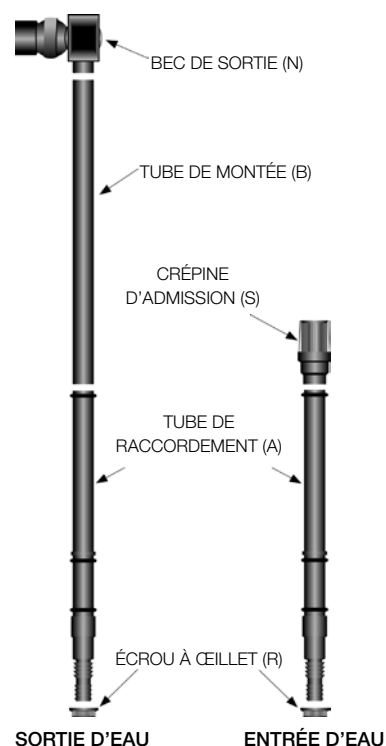
Tube de montée (B) : 15472 pour tous les modèles

Tube de raccordement (A) : 15473 pour tous les modèles

Écrou à œillet (R) : 15474 pour tous les modèles

Crépine d'admission (S) : A-20009 pour tous les modèles

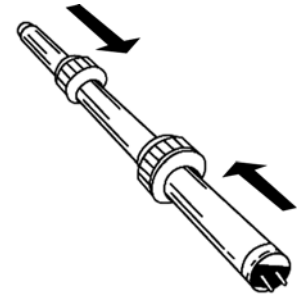
Joints d'étanchéité (C) : 15476 pour tous les modèles



2. ENTRETIEN DE LA RAMPE D'ÉCLAIRAGE

AVERTISSEMENT - Les tubes fluorescents sont faits en verre. Manipuler la rampe d'éclairage et les tubes fluorescents avec soin.

RECOMMANDATION : Utiliser seulement des tubes fluorescents T5HO standards pour aquarium selon la puissance indiquée sur l'étiquette de données électriques apparaissant sur la rampe d'éclairage. Utiliser seulement des pièces de rechange originales.



ill. 6

REPLACEMENT DES TUBES FLUORESCENTS DE LA RAMPE D'ÉCLAIRAGE

1. Débrancher la rampe d'éclairage de la source d'alimentation.

AVERTISSEMENT - **S'assurer de débrancher le cordon d'alimentation. Éteindre les tubes avec l'interrupteur du cordon N'EST PAS suffisant.**

2. Retirer la rampe d'éclairage de l'aquarium et la déposer avec les tubes fluorescents dirigés vers le haut, sur une surface solide assez éloignée de l'aquarium pour prévenir la chute accidentelle de pièces dans l'eau.

3. Dévisser le raccord fileté vissé à la douille d'une main tout en supportant la douille avec l'autre main (afin d'empêcher le bris accidentel de cette pièce en plastique). Il faut procéder de cette façon aux deux extrémités de chaque tube fluorescent à remplacer.

4. Glisser soigneusement l'ancien tube fluorescent vers l'extérieur.

5. Glisser les deux raccords filetés avec leur joint d'étanchéité vers le milieu du nouveau tube fluorescent pour que le filetage soit dirigé vers l'extérieur (comme montré à l'illustration 6).

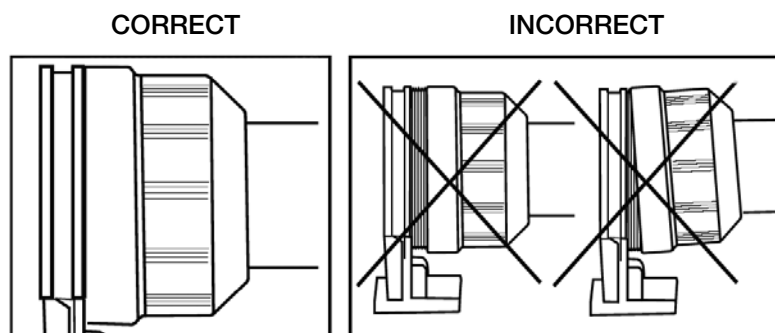
S'assurer que les joints d'étanchéité sont correctement en place.

6. Insérer délicatement les broches du nouveau tube fluorescent dans les fentes de la douille. Tourner à 90° jusqu'à ce que le tube s'enclenche.

7. Soutenir avec précaution les douilles avec une main et visser doucement les raccords filetés avec l'autre main. Serrer fermement ces raccords à la main; nous ne recommandons l'utilisation d'aucun outil. Ces pièces sont en plastique, il faut éviter de les endommager en les vissant à l'envers.

8. Replacer la rampe d'éclairage sur l'aquarium.

AVERTISSEMENT - Afin de prévenir la présence d'humidité dans les douilles et la corrosion des contacts électriques, visser complètement les raccords filetés dans les douilles. Vérifier qu'il n'y a aucun filetage ni écart visible entre les douilles et les raccords filetés. S'assurer que les raccords filetés ne sont pas vissés à l'envers dans les douilles.



ill. 7

3. NETTOYAGE DE LA RAMPE D'ÉCLAIRAGE

Débrancher la rampe d'éclairage de la source d'alimentation avant tout entretien.

AVERTISSEMENT - S'assurer de débrancher le cordon d'alimentation; éteindre les tubes à l'aide de l'interrupteur du cordon d'alimentation N'EST PAS suffisant.

Ne jamais placer la rampe d'éclairage sous des jets d'eau ni la submerger.

La rampe d'éclairage Fluval ne requiert aucun entretien spécial autre qu'un nettoyage périodique avec un linge humide (ne jamais utiliser de produits chimiques ni de détergents forts). Afin d'enlever les dépôts calcaires, il est conseillé d'employer un acide doux tel que du jus de citron pour ensuite essuyer la surface à l'aide d'un linge humide pour éliminer tous les résidus.

Les aquariums d'eau de mer ont besoin d'un nettoyage régulier et en profondeur pour enlever les accumulations de sel sur la rampe d'éclairage et les tubes fluorescents. Se reporter au paragraphe intitulé « Mesures de sécurité additionnelles pour l'installation et l'entretien d'aquariums d'eau de mer », dans l'introduction.

4. PIÈCES DE RECHANGE DE LA RAMPE D'ÉCLAIRAGE

Toujours utiliser des pièces de rechange Fluval originales pour assurer un rendement prolongé et sécuritaire. Nous recommandons de remplacer les deux tubes en même temps lorsqu'un des deux grille.

Modèle	Tubes fluorescents	Rampe complète (sans tubes)
PROFILE 850 15839	4 x T5HO, 24 W	15839
PROFILE 1000 15849	4 x T5HO, 39 W	15849
PROFILE 1200 15859	4 x T5HO, 39 W	15859
PROFILE 1500 15869	4 x T5HO, 54 W	15869

GARANTIE

À condition que les instructions soient suivies correctement, Rolf C. Hagen inc. garantit cet article contre tout défaut de matériaux ou de fabrication pour une période de 2 ans à partir de la date d'achat. Cette garantie exclut tout dommage causé par un accident ou un usage abusif. Cette garantie ne porte pas atteinte à vos droits prévus par la loi. Si à l'avenir vous avez à faire une réclamation lorsque l'article est sous garantie, vous devrez fournir la preuve et la date d'achat. Pour ce faire, nous vous recommandons de conserver votre reçu. Nous nous réservons le droit de réparer ou de remplacer l'article, à notre discrétion.

Rolf C. Hagen inc. vous souhaite bien des heures d'agrément avec votre aquarium Fluval.

CANADA : Les industries Hagen Itée
3235, rue Guénette, Montréal QC H4S 1N2
Canada seulement : 1 800 554-2436 entre 9 h et 16 h 30 (HNE)
Demander le Service à la clientèle

FRANCE : Rolf C. Hagen France S.A.
Service des garanties
Zone Parisud 4, 77388 Combs la ville
Tél. : 33 1 64 88 14 18

FLUVAL PROFILE Aquarienkombination

Bedienungsanleitung

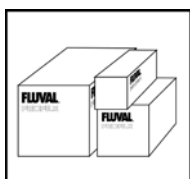
Diese Bedienungsanleitung gilt für die folgenden Fluval Aquarienkombinationen:

PROFILE 850 PROFILE 1200
PROFILE 1000 PROFILE 1500

Alle Kombinationen beinhalten jeweils ein Aquarium, einen Aquarienschrank, eine Strip-Light-Abdeckung, einen Fluval Außenfilter und Heizer.

Der Fluval Außenfilter kann einfach und sicher mit dem Becken verbunden werden. Dank des neuen „Easy-Connect“ Systems wird der Anschluss an leistungsstarke Außenfiltersysteme vereinfacht und unansehnliche Schläuche sowie hervorstehende Rahmenbefestigungen sind unnötig.

Die Kombinationen sind in 2 oder 3 separate Kartons verpackt:



Der erste Karton enthält das Glasbecken mit der Strip-Light-Abdeckung, den Fluval Außenfilter mit dem Easy Connect Zubehör, den Heizer und die Bedienungsanleitung.

Im zweiten Karton befinden sich die Bauteile für den Aquarienschrank mit der Aufbauanleitung.

Der dritte Karton enthält die vier (4) PROFILE Aluminiumfüße; Ausnahme: die Füße des Modells 1500 sind zusammen mit dem Aquarium verpackt.

TECHNISCHE DATEN

Modell	Fassungsvermögen*	Gewicht des Aquariums ohne Wasser**	Gewicht des Aquariums mit Wasser***	Gewicht des Aquarienschanks	Leuchten der Strip-Light-Abdeckung	Heizleistung	Filtersystem
	Liter	kg	kg	kg	Typ/W	Watt	Modell
PROFILE 850	232	59,15	275	38	T5HO/4x24	200	Fluval 205
PROFILE 1000	275	66,55	330	43	T5HO/4x39	300	Fluval 305
PROFILE 1200	323	79,55	385	49	T5HO/4x39	300	Fluval 405
PROFILE 1500	500	114,20	590	64	T5HO/4x54	300 (x2)	Fluval 305 (x 2)

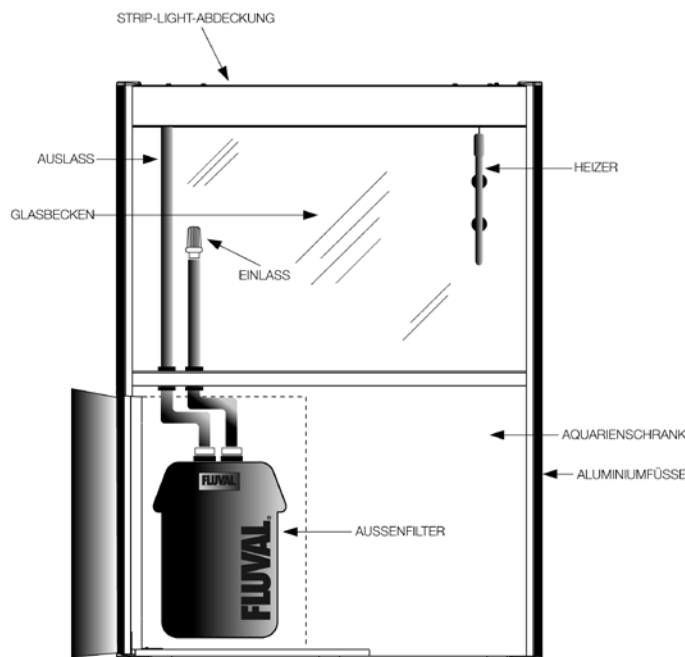
WICHTIGE HINWEISE:

* Das Fassungsvermögen des Aquariums bezieht sich nicht auf das maximale Volumen des Beckens, sondern auf das ungefähre Wasservolumen bis zum Aluminiumrahmen des Aquariums (ohne Kies).

** Ungefähres Gewicht des Aquariums mit Beleuchtung (ohne Wasser)

*** Ungefähres Gewicht des mit Wasser gefüllten Aquariums mit einer nur 15 cm dicken Kiesschicht.

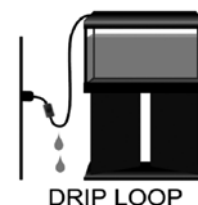
FLUVAL AQUARIENKOMBINATIONEN: BEZEICHNUNG DER TEILE



WICHTIGE SICHERHEITSHINWEISE

Achtung – Zum Schutz vor Verletzungen sind grundlegende Sicherheitsvorkehrungen zu beachten, einschließlich der folgenden Hinweise:

1. Lesen Sie diese Bedienungsanleitung vollständig und aufmerksam, bevor Sie die Aquarienkombination aufbauen, und machen Sie sich mit allen Sicherheitshinweisen, Bedingungen und Teilen vertraut. Nichtbeachtung kann zum Verlust von Fischen oder zu Schäden am Gerät führen. Die Aufbauanleitung für den Schrank und die Bedienungsanleitung für die Filterpumpe sind nicht in dieser Anleitung enthalten. Sie befinden sich in den einzelnen Verpackungen des Unterschranks und der Pumpe.
2. **GEFAHR** – Zur Vermeidung eines möglichen elektrischen Schlags sollten Sie besonders vorsichtig sein, weil bei der Benutzung des Aquarienzubehörs Wasser verwendet wird. In den folgenden Situationen sollten Sie nicht versuchen, das Gerät selber zu reparieren, sondern dieses einem autorisierten Kundendienst zur Reparatur geben oder das Gerät entsorgen:
 - A. Wenn das Gerät Anzeichen für ungewöhnliche Wasserundichtigkeit zeigt, sofort das Gerät vom Stromnetz trennen.
 - B. Gerät nach der Installation sorgfältig überprüfen. Wenn Teile nass werden, die nicht mit Wasser in Berührung kommen dürfen, das Gerät nicht an das Stromnetz anschließen. Wenn das Gerät oder ein Teil des Geräts ins Wasser fallen, NICHT danach greifen. Erst das Gerät vom Stromnetz trennen und dann ins Wasser greifen.
 - C. Kein Gerät mit beschädigtem Kabel oder beschädigtem Netzstecker benutzen.
 - D. Bei jedem Kabel, das Aquariengeräte mit dem Stromnetz verbindet, sollte eine „Tropfschleife“ gebildet werden, wie in der nebenstehenden Abbildung dargestellt. Die „Tropfschleife“ ist der Teil des Netzkabels, der unterhalb der Steckdose oder des Anschlusses bei Verwendung eines Verlängerungskabels liegt. So wird verhindert, dass Wasser das Kabel entlang wandert und mit der Steckdose in Berührung kommt. Wenn Stecker oder Steckdose nass werden, Netzkabel NICHT aus der Steckdose ziehen. Sicherung oder Stromkreisunterbrecher für das Gerät ausschalten. Erst danach das Netzkabel herausziehen und die Steckdose auf Wasser überprüfen.
 - E. Dieses Gerät ist nicht zur Verwendung durch körperlich oder geistig behinderte Personen sowie Kinder bestimmt, es sei denn, dass eine für ihre Sicherheit verantwortliche Person sie unter Aufsicht oder Anleitung das Gerät bedienen lässt. Sorgfältige Aufsicht ist notwendig, wenn ein Gerät von Kindern oder in der Nähe von Kindern benutzt wird.



F. Zur Vermeidung von Verletzungen keine beweglichen oder heißen Teile berühren, wie z. B. Heizer, Reflektoren, Glühbirnen und Ähnliches. Max. Betriebstemperatur 35 °C

G. Alle Geräte des Aquariums immer vom Stromnetz trennen, bevor man in das Wasser greift, bevor Teile an- oder abgebaut werden und während der Installation, Wartung und Handhabung von Geräten. Immer alle Stecker ziehen, wenn Geräte ins Wasser getaucht oder aus dem Wasser geholt werden. Nicht am Netzkabel ziehen, um den Stecker aus der Steckdose zu ziehen. Immer am Stecker anfassen und ziehen. Geräte, die nicht benutzt werden, immer vom Stromnetz trennen.

H. Installieren oder lagern Sie das Gerät nicht dort, wo es der Witterung oder Temperaturen unter dem Gefrierpunkt ausgesetzt ist.

NUR FÜR DEN GEBRAUCH IN GESCHLOSSENEN RÄUMEN.

I. Wenn ein Verlängerungskabel benötigt wird, muss ein Kabel geeigneter Leistung benutzt werden. Ein Verlängerungskabel mit einem kleineren Amperewert als dem des Geräts kann sich überhitzen. Achten Sie darauf, das Verlängerungskabel so zu verlegen, dass man nicht darüber stolpert oder es herauszieht.

J. Schlagen Sie vor der Installation des Aquarienbeckens und des Schrankes das Gewicht in der Tabelle auf Seite 33 nach, um sicherzustellen, dass Sie über die Fähigkeit und die Mittel verfügen, sie ohne Gefahr oder Verletzungen zu handhaben.

ACHTUNG. Überhitzungsgefahr: Keine Gegenstände auf dem Aquarium oder auf anderen mit dem Aquarium verbundenen Geräten abstellen. Wenn Luftsteine verwendet werden, sollten sie immer in der Mitte des Aquariums platziert werden, um Leckagen zu vermeiden, die durch Kapillarwirkung am oberen Rahmen entstehen können.

ZUSÄTZLICHE SICHERHEITSHINWEISE ZUR MONTAGE UND WARTUNG VON SALZWASSERAQUARIEN

Es ist allgemein bekannt, dass Salzwasser weitaus korrosiver und leitfähiger ist sowie Plastik- und Metallteile schneller zersetzt als Süßwasser. Um Salzablagerungen auf dem Aquarium zu minimieren, beachten Sie folgende Empfehlungen:

1. Achten Sie darauf, dass kein Wasser aus dem Wasseraustrittsstutzen des Filters über die Wasseroberfläche sprüht. Bringen Sie den Wasseraustrittsstutzen leicht nach unten angewinkelt unterhalb der Wasseroberfläche an, so dass eine Oberflächenbewegung noch möglich ist (sie trägt zur Sauerstoffanreicherung bei).
2. Wenn eine Durchlüfterpumpe verwendet wird, müssen die Salzablagerungen regelmäßig entfernt werden.
3. Halten Sie den Wasserstand so konstant wie möglich (füllen Sie regelmäßig Wasser auf, um die Verdunstung auszugleichen). So kann ein gleichbleibender Salzgehalt gewährleistet und die Abdeckung geschützt werden.
4. Reinigen Sie mindestens alle zwei Wochen alle Teile des Aquariums, die mit Salzwasser in Kontakt kommen. Verwenden Sie ein feuchtes Tuch (setzen Sie niemals Chemikalien oder Reinigungsmittel ein). Einfacher Zitronensaft kann Kalkablagerungen entfernen. Gründlich abspülen, um Säurereste zu beseitigen.

BEWAHREN SIE DIESE ANLEITUNG AUF

Die Kabel der Strip-Light-Beleuchtung und des Heizers können durch Öffnungen an der Rückseite des oberen Aquarienrahmens geführt werden.

AUFBAU IHRES FLUVAL AQUARIUMS

Für eine korrekte Installation und Inbetriebnahme Ihres Aquariums befolgen Sie bitte diese Anweisungen:

A. VORBEREITUNGEN ZUR INBETRIEBNAHME IHRER AQUARIENKOMBINATION

- 1. 1. Zur Montage des Aquarienschrankes** siehe Abschnitt 1 dieser Bedienungsanleitung und die separate *Anleitung, die Sie im Karton des Aquarienschrankes finden.*
- 2. Überprüfen Sie alle Teile, stellen Sie dann den Schrank und das Aquarienbecken an die gewünschte Stelle.**
Siehe hierzu Abschnitt 1 dieser Bedienungsanleitung
- 3. Montieren Sie die PROFILE Aluminiumständer.**
Siehe hierzu Abschnitt 1 dieser Bedienungsanleitung

4. Installieren Sie die Wassereintritts- und Austrittssysteme.

Siehe hierzu Abschnitt 1 dieser Bedienungsanleitung

5. Setzen Sie die Filtereinheit zusammen und verbinden Sie sie mit dem Becken.

Siehe hierzu Abschnitt 2 dieser Bedienungsanleitung

6. Platzieren Sie den Heizer im Aquarium.

Siehe hierzu Abschnitt 3 dieser Bedienungsanleitung

7. Dekorieren Sie Ihr Aquarium mit Rückwänden, Steinen und Kies.

Siehe hierzu Abschnitt 4 dieser Bedienungsanleitung

8. Pflanzen in den Vordergrund des Aquariums setzen.

Siehe hierzu Abschnitt 4 dieser Bedienungsanleitung

9. Füllen Sie das Aquarium zur Hälfte mit Wasser.

Siehe hierzu Abschnitt 4 dieser Bedienungsanleitung

10. Setzen Sie hochwachsende Pflanzen ins Aquarium.

Siehe hierzu Abschnitt 4 dieser Bedienungsanleitung

11. Füllen Sie Wasser bis zum Aluminiumrahmen des Aquariums auf.

Siehe hierzu Abschnitt 4 dieser Bedienungsanleitung

12. Bereiten Sie die Strip-Light-Abdeckung zur Inbetriebnahme vor und setzen Sie sie auf das Aquarium

Siehe hierzu Abschnitt 5 dieser Bedienungsanleitung

B. INBETRIEBNAHME DES AQUARIUMS

13. Schließen Sie den Außenfilter an das Stromnetz an.

Siehe hierzu die Bedienungsanleitung im Karton mit dem Filter

14. Schließen Sie den Heizer an das Stromnetz an.

Siehe Bedienungsanleitung auf der Heizerkarte

15. Schließen Sie die Strip-Light-Abdeckung an das Stromnetz an.

Siehe hierzu Abschnitt 5 dieser Bedienungsanleitung

16. Setzen Sie die Fische in das Wasser, nachdem das Aquarium die Einlaufphase abgeschlossen hat.

WARTUNG

Zur Wartung des Aquarienglases und der Strip-Light-Abdeckung

Siehe Abschnitt 6 dieser Bedienungsanleitung

Zur Wartung des Aquarienfilters oder Heizers.

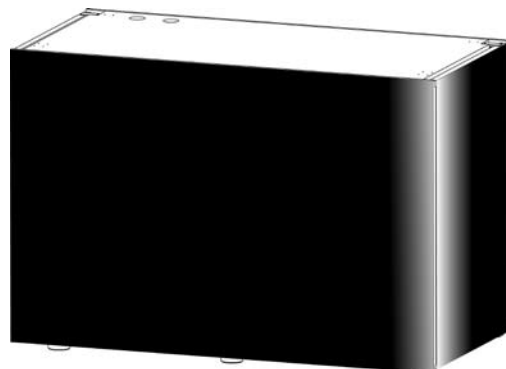
Siehe die Anleitungen, die den jeweiligen Verpackungen beiliegen.

**ABSCHNITT I
AUFBAU DES AQUARIENSCHRANKS - ÜBERPRÜFUNG UND AUFSTELLEN DES
GLASBECKENS**

AUFBAU DES AQUARIENSCHRANKS

Versuchen Sie nicht, den Aquarienschrank aufzubauen, ohne die Aufbauanleitung zu lesen und ohne Sie zu befolgen.

Die Aufbauanleitung ist dem Schrank beigelegt. Sollte sie nicht vorhanden oder unbrauchbar sein, wenden Sie sich bitte an den Händler oder den Hagen Kundendienst, um eine neue Anleitung zu erhalten.



Das Fluval Aquarium muss auf den passenden, für dieses Aquarium konstruierten Fluval Aquarienschrank gestellt werden. Fluval Aquarienschränke garantieren eine sichere und ebene Standfläche, die sich weder verbiegt noch krümmt. Bei Verwendung von anderen Schränken oder Ständern erlischt diese Garantie.

Versuchen Sie niemals, den Schrank zusammen mit dem Aquarium oder einer anderen Last darauf zu bewegen oder zu transportieren.

Nehmen Sie alle Teile aus dem Karton heraus. Bevor Sie beginnen, identifizieren, zählen und prüfen Sie alle für den Aufbau benötigten Teile auf Vollständigkeit. Sollte ein Teil fehlen, brechen Sie den Aufbau ab und wenden Sie sich bitte an den Händler oder den Hagen Kundendienst. Befolgen Sie die Anleitung beim Aufbau des Aquarienschanks.

Nachdem Sie den Schrank vollständig aufgebaut haben, überprüfen Sie, ob ALLE Teile ordnungsgemäß verwendet wurden. Der Aquarienschrank ist aus Holz. Wir empfehlen Ihnen, alle Schrankflächen trocken zu halten.

ÜBERPRÜFUNG DES AQUARIENBECKENS

Die unteren und oberen Aluminiumrahmen sind bereits am Aquarienbecken vormontiert. Versuchen Sie nicht, die oberen und unteren Rahmen zu entfernen. Das Glasaquarium wurde mit größter Sorgfalt und modernster Technik hergestellt, überprüfen Sie es aber trotzdem gründlich auf eventuelle Schäden durch Transport oder Handhabung.

Das Becken ist aus Glas. Behandeln Sie es stets mit größter Vorsicht.

Versuchen Sie niemals, ein mit Wasser oder anderen Materialien gefülltes Becken zu bewegen oder zu transportieren.

Achten Sie stets darauf, dass die Dichtungen an den Ecken und Rändern der Glasscheiben bei Wartungsarbeiten nicht beschädigt werden.

Reinigen Sie niemals Ihr Aquarium mit giftigen oder aggressiven Substanzen.

DAS AQUARIUM MIT DEM SCHRANK AN DER GEWÜNSCHTEN STELLE AUFSTELLEN

Der Standort des Aquariums ist sehr wichtig. Stellen Sie es nicht an einen Ort mit direkter Sonneneinstrahlung. So werden eine übermäßige Algenbildung und Überhitzung vermieden. Halten Sie das Aquarium von anderen Wärmequellen (Lüftungskanäle, Heizungen usw.) fern, um Temperaturschwankungen zu vermeiden. Zugluft sollte ebenfalls vermieden werden. Stellen Sie das Aquarium an einen Ort, an dem Wasserspritzer keine Schäden verursachen.

Die Abmessungen und die Konstruktion des Schanks sind genau für das Gewicht des vollständig mit Wasser gefüllten Aquariums ausgelegt. Bei Verwendung anderer Schränke kann ein sicherer Betrieb nicht gewährleistet werden und die Garantie erlischt.

ACHTUNG. Vergewissern Sie sich, dass der gewählte Standort das Gewicht des Schanks mit dem vollständig gefüllten Aquarium tragen kann.

Der gewählte Standort sollte eben und gerade sein. Stellen Sie das Aquarium und den Schrank in der Nähe einer Steckdose auf.

Nachdem Sie den Schrank aufgestellt haben, überprüfen Sie mit einer Wasserwaage, ob er absolut gerade steht.

WICHTIG: Stellen Sie das Aquarium direkt auf den Schrank, ohne zusätzliche Stützen oder Dämpfer dazwischenzulegen. Legen Sie NIEMALS Materialien zwischen den Schrank und das Aquarium.

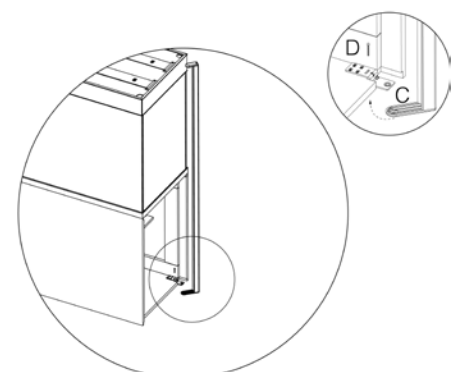
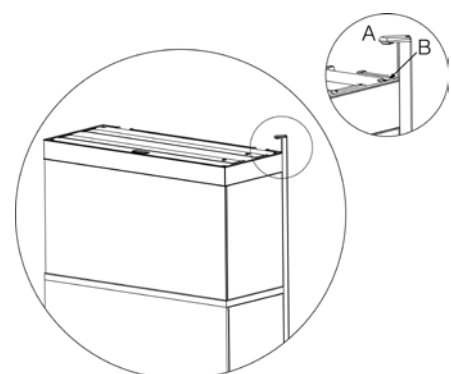
MONTAGE DER PROFILE ALUMINIUMFÜSSE

1) Bevor Sie beginnen, vergewissern Sie sich, dass alle 4 Aluminiumfüße vorhanden sind.

2) Säubern Sie die Oberfläche und entfernen Sie vor der Montage Staub oder Schmutz mit einem feuchten Tuch. Verwenden Sie keine harten oder aggressiven Reinigungsmittel, um Schäden auf der Oberfläche zu vermeiden.

3) Tackeln Sie die Oberfläche sorgfältig.

4) Öffnen Sie die Seitentür des Schanks.



5) Bringen Sie die obere Plastikhalterung (A) auf der Ecke des Rahmens der Abdeckung (B) an.

6) Schieben Sie die untere Plastikhalterung (C) unter den Schrank. Bringen Sie das Loch in der Plastikhalterung mit dem Loch im Schrankboden in Deckung.

7) Befestigen Sie im Schrankinneren die untere Halterung mit Schrauben, die durch den Schrankboden in die Plastikhalterung geschraubt werden (D). NICHT ÜBERDREHEN

8) Wiederholen Sie Schritt 4 bis 7 für jeden einzelnen der vier PROFILE Aluminiumfüße.

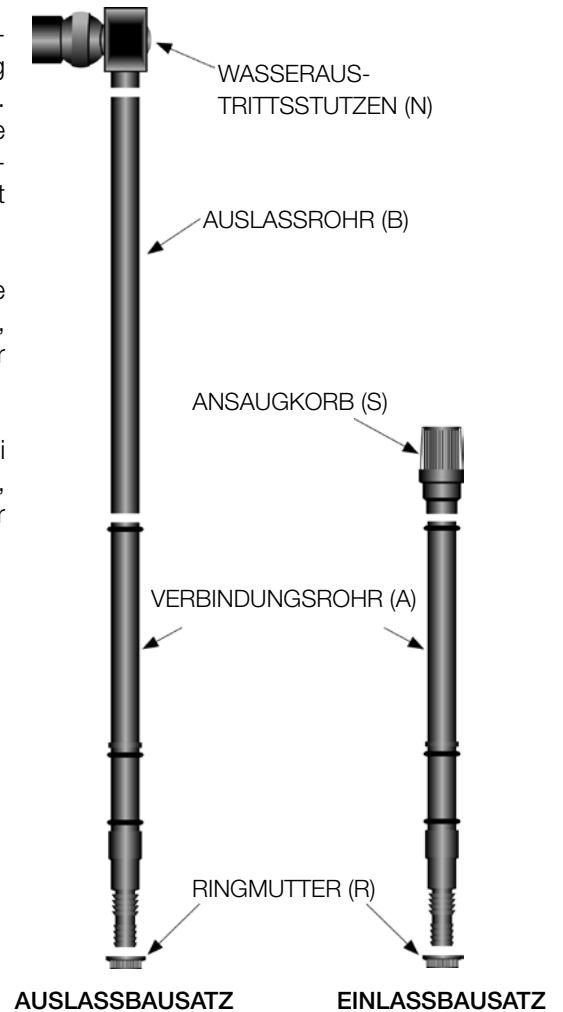
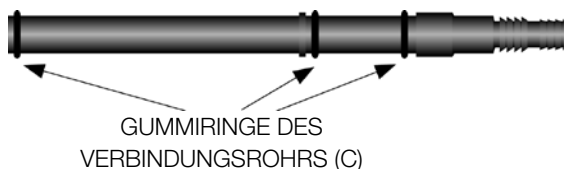
Hinweis: Die PROFILE Füße der Modelle PROFILE 850, 1000 und 1200 sind separat vom Glasaquarium verpackt. Die Füße des PROFILE 1500 finden Sie in der Aquarienverpackung.

INSTALLATION DES WASSEREINTRITTS/-AUSTRITTS MIT DEM „EASY CONNECT“-SYSTEM

Alle Fluval Profile Aquarien verfügen über das innovative „Easy Connect“-System, das dank spezieller Anschlussstücke die direkte Verbindung des Beckens mit dem Außenfilter durch den Glasboden ermöglicht. Bei anderen Systemen kann diese Verbindung nur durch komplizierte Geräte unter Mithilfe von Fachleuten hergestellt werden. Das „Easy-Connect“-System lässt sich einfach und sicher installieren und gibt Ihrem Aquarium ein sauberes und professionelles Aussehen.

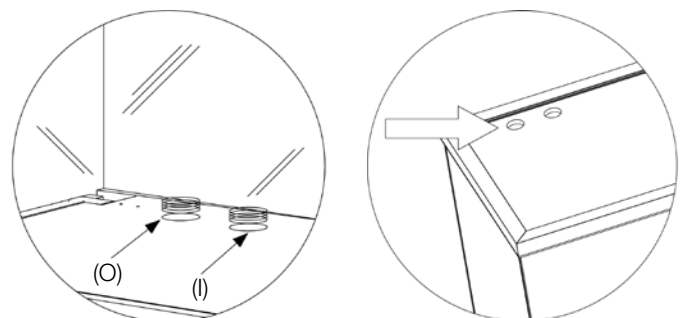
Bevor Sie fortfahren, identifizieren und zählen Sie alle benötigten Teile anhand der Montagezeichnungen auf dieser Seite. Sollte ein Teil fehlen, brechen Sie die Installation ab und wenden Sie sich an Ihren Händler oder den Hagen Kundendienst.

Bevor Sie fortfahren, stellen Sie sicher, dass an den Rohren (A) alle drei (3) Gummiringe (C) vorhanden sind. Sollte ein Gummiring (C) fehlen, brechen Sie die Installation ab und wenden Sie sich an Ihren Händler oder den Hagen Kundendienst.



Sobald die Austritts-/Eintrittssysteme installiert sind, darf das Aquarium nicht mehr auf dem Schrank bewegt werden, da sonst die Austritts-/Eintrittssysteme und das Glasbecken beschädigt werden können. Die vorinstallierten speziellen Anschlussstücke an den Beckenöffnungen (O) und (I) dürfen nicht eingedrückt, gelockert oder gedreht werden.

SUCHEN SIE DIE BEIDEN ÖFFNUNGEN AM BECKENBODEN UND VERGEWISSERN SIE SICH, DASS SIE SICH GENAU ÜBER DEN ENTSPRECHENDEN ÖFFNUNGEN IM AQUARIENSCHRANK BEFINDEN.



Installation des Austrittssystems

1. Schieben Sie das Verbindungsrohr (A) bis zum Anschlag durch die Öffnung (O) (ABB. 1)
2. Öffnen Sie den Schrank. Drehen Sie die Ringmutter (R) auf das untere Ende des Verbindungsrohrs (A) (ABB. 2).
3. Schieben Sie den Wasseraustrittsstutzen (B) in ein Ende des Austrittssystems (B).
4. Schieben Sie das Austrittsrohr (B) auf das Verbindungsrohr (A) (ABB. 3).
5. Stellen Sie die Höhe des Wasseraustrittsstutzens wie gewünscht ein, indem Sie das Austrittsrohr (B) über das Verbindungsrohr (A) schieben.
6. Sie können den Wasseraustrittsstutzen (N) leicht drehen, um den Wasserfluss in die gewünschte Richtung zu lenken.

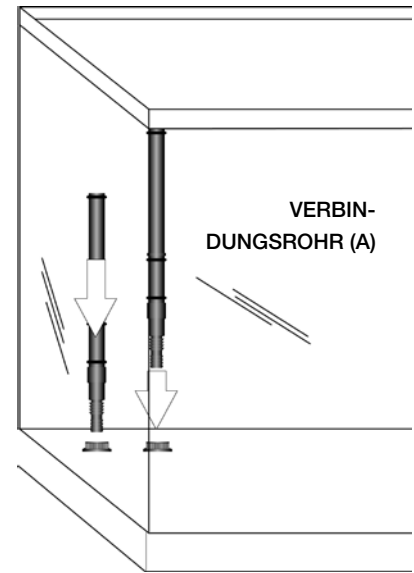


ABB. 1

Richten Sie den Wasserstrahl so aus, dass kein Wasser über den Beckenrand spritzt. Richten Sie den Wasserstrahl nicht auf die Leuchten der Strip-Light-Abdeckung.

Installation des Eintrittssystems

1. Schieben Sie das zweite Verbindungsrohr (A) bis zum Anschlag durch die Öffnung (I) (ABB. 1).
2. Öffnen Sie den Schrank. Drehen Sie die Ringmutter (R) auf das untere Ende des zweiten Verbindungsrohrs (A) (ABB. 2).
3. Schieben Sie das Eintrittssieb (S) in das Verbindungsrohr (A) (ABB. 4).

Die Höhe des Ansaugkorbs passt zu den meisten Standardaquariendekorationen. Bei der Dekoration des Aquariums achten Sie darauf, dass der Ansaugkorb immer mindestens 5 cm über der Kiesschicht am Boden bleibt, so dass kein Kies oder Sand angesogen wird. Stellen Sie sicher, dass die Dekoration nicht den Wasserfluss behindert. Ziergegenstände und Steine werden in das Aquarium gesetzt, bevor es mit Wasser gefüllt wird.

VORSICHT! Drücken Sie die Verbindungsrohre (A) niemals zur Seite, da sonst die Austritts-/Eintrittssysteme und das Glasbecken beschädigt werden können.

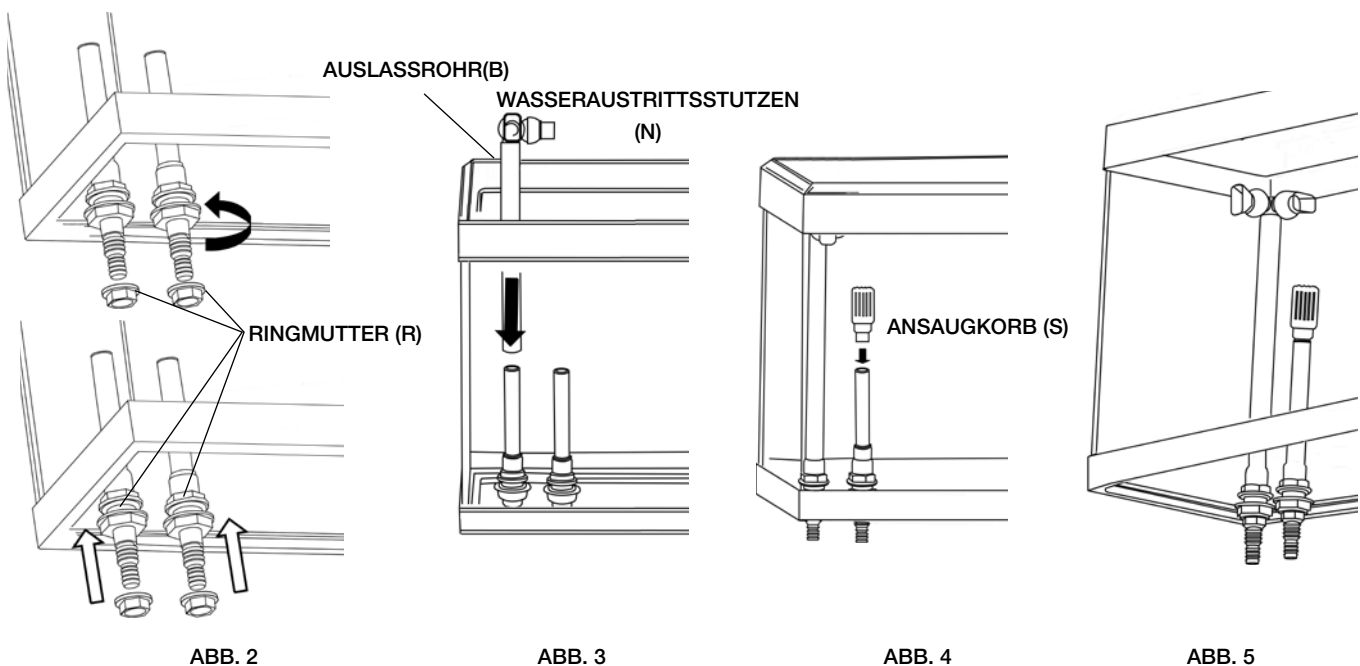


ABB. 2

ABB. 3

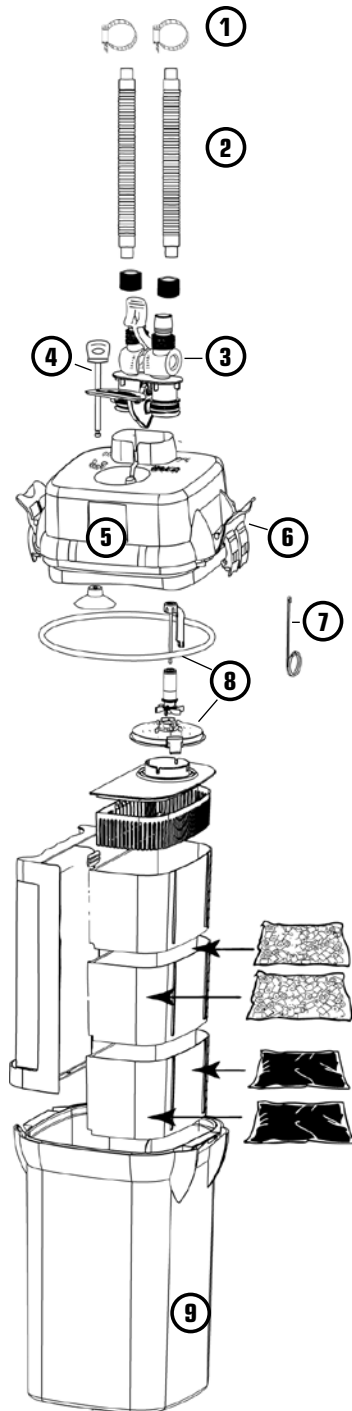
ABB. 4

ABB. 5

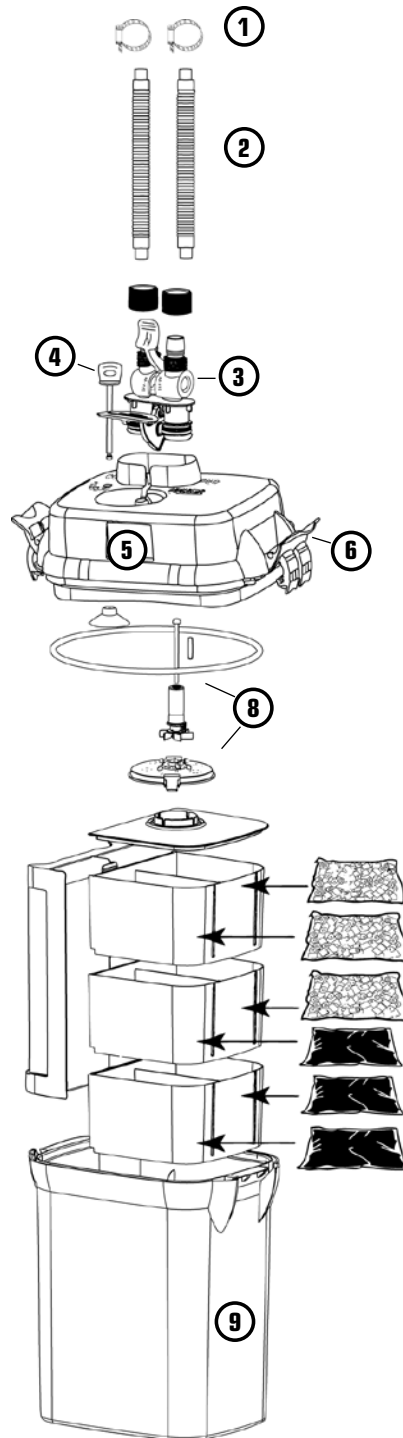
ABSCHNITT 2 INSTALLATION DES FLUVAL AUSSENFILTERS

FLUVAL FILTER: PRODUKTBESTANDTEILE

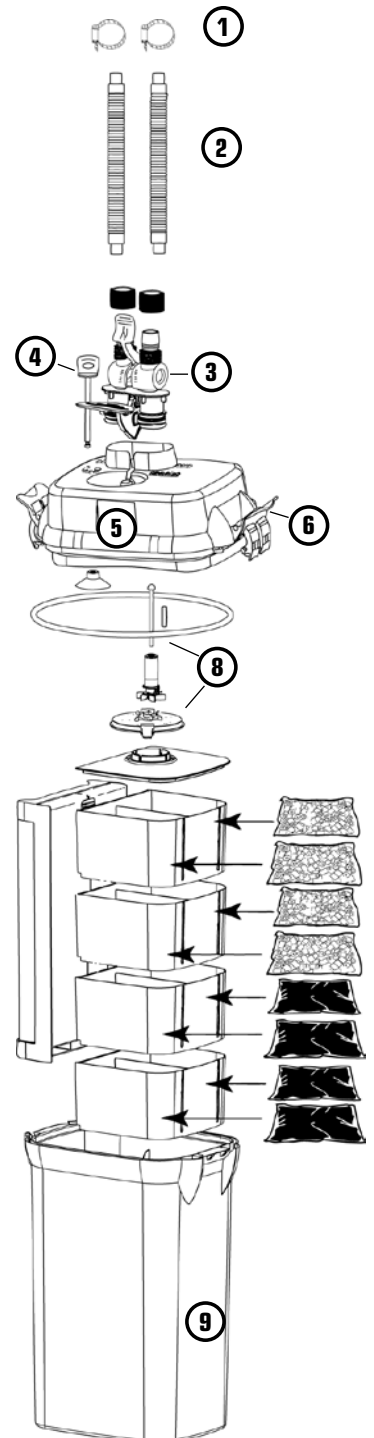
FLUVAL 205
PROFILE 850



FLUVAL 305
PROFILE 1000
PROFILE 1500



FLUVAL 405
PROFILE 1200



WICHTIG: Da der Filter durch den Aquarienboden direkt mit dem Becken verbunden ist, wird die Selbstansaugung (Teil 4) nicht benötigt. Lassen Sie den Hebel der Selbstansaugung immer in der unteren Position.

INSTALLATION DES FLUVAL FILTERS



1. Packen Sie den Karton vollständig aus und identifizieren Sie alle Teile.

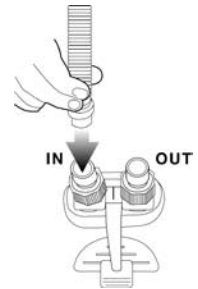
Dieser Filter ist ausschließlich zur Installation in Fluval Aquariensets mit Verbindungen unter dem Becken geeignet.

2. Bereiten Sie die Ein- und Austrittsverbindungen vor.

Nehmen Sie das Aquastop-Ventil (3) aus dem Behälterdeckel (5), indem Sie zunächst den schwarzen und dann den silbernen Hebel ganz nach oben drücken.

Der schwarze Hebel schließt und öffnet die Aquastop-Ventile. Wenn der schwarze Hebel ganz oben ist, sind die Ventile vollständig geschlossen und es kann kein Wasser zwischen dem Filter und dem Aquarienbecken fließen. Wenn der schwarze Hebel ganz unten ist, sind die Ventile komplett geöffnet und es kann die maximale Wassermenge zwischen Filter und Aquarium fließen.

Der silberne Hebel arretiert das Aquastop-Ventil am Behälterdeckel (5). Wenn der silberne Hebel ganz oben ist, löst sich das Aquastop-Ventil vom Behälterdeckel (5). Wichtig: um Wasserspritzer zu vermeiden, kann der silberne Hebel nicht betätigt werden solange der schwarze Hebel nicht in die oberste Position gebracht wurde.



Verbindung der geriffelten Schläuche mit dem Aquastop-Ventil (3).

So verbinden Sie den ersten Schlauch mit dem **IN**- und den zweiten Schlauch mit dem **OUT**-Verbindungsstück des Aquastop-Ventils:

- Schieben Sie ein Schlauchende so weit wie möglich auf das Ventil.
- Drehen Sie die Überwurfmutter im Uhrzeigersinn fest, ohne sie zu überdrehen.

Verbindung der geriffelten Schläuche mit dem Eintritts-/Austrittssystem, das Sie bereits in Abschnitt 1 installiert haben.

Öffnen Sie den Aquarienschrank. Verbinden Sie das lose Ende des geriffelten Schlauchs (2), das mit dem **IN**-Verbindungsstück des Aquastop-Ventils (3) verbunden ist, mit dem Verbindungsrohr, das mit dem Aquarieneintritt verbunden ist. Verbinden Sie dann das lose Ende des geriffelten Schlauchs (2), das mit dem **OUT**-Verbindungsstück des Aquastop-Ventils (3) verbunden ist, mit dem Verbindungsrohr, das mit dem Aquarienaustritt verbunden ist, wie folgt:

- Lockern Sie die Schlauchschelle (1) und schieben Sie sie auf das lose Ende des Schlauchs (2).
- Schieben Sie das Schlauchende bis zum Anschlag auf das Aquarienverbindungsrohr.
- Schieben Sie die Schlauchschelle über die Gummiverbindung und ziehen Sie sie mit einem Schraubendreher fest.

ACHTUNG! – Drücken Sie niemals die geriffelten Schläuche zur Seite in Richtung der Verbindungen des Aquastop-Ventils und des Verbindungsrohrs, denn die Schläuche könnten aus den Verbindungen rutschen, so dass das Aquarium ausläuft.

3. Vorbereitung des Filters

WICHTIG: Die Aktivkohle und BIOMAX Filtermedien, die im Lieferumfang Ihres Fluval Filters enthalten sind, wurden absichtlich in den oberen, mittleren und unteren Medienkorb gelegt. Dies ist ihre **empfohlene Stelle** für eine optimale Grundfiltration. Beachten Sie diese Anordnung und legen Sie die Medien in die selben Körbe, wenn Sie den Filter für die Inbetriebnahme vorbereiten.

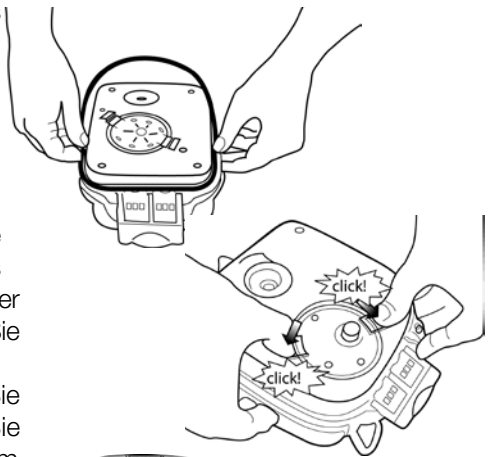
Weitere Information über Fluval Filtermedien finden Sie unter www.hagen.com

1. **Entfernen Sie den Rahmen für das Schaumstoffsieb, die Medienabdeckung und die Medienkörbe aus dem Filterbehälter.** Merken Sie sich die Positionen bei der Entnahme der Aktivkohle und des BIOMAX aus den Körben. Entfernen Sie die Verpackung, aber lassen Sie die Aktivkohle im/in den durchlässigen Beutel(n).

2. Spülen Sie die Körbe und die Filtermedien mit Leitungswasser ab, um sie von Staub zu säubern, und legen Sie die Medien in die Körbe. Natürlich können Sie nach Wunsch auch andere Filtermedien wählen. **Weitere Informationen finden Sie in der Bedienungsanleitung im Filterkarton.**

3. **Setzen Sie die gesäuberten und gefüllten Medienkörbe wieder in den Filterbehälter ein** und legen Sie die Medienabdeckung zurück auf den obersten Korb. **WICHTIG:** Vergewissern Sie sich, dass die Medien in der originalen Anordnung eingesetzt sind, sofern Sie nicht einen anderen Filterplan als den empfohlenen Grundaufbau wählen. **Die Körbe nicht überfüllen. Wenn die Körbe nicht in der richtigen Position sind, kann die Abdeckung (5) nicht ordnungsgemäß geschlossen werden.**

4. Spülen Sie vor dem ersten Gebrauch beide Seiten des Rahmens für das Schaumstoffmedium mit Leitungswasser ab, um etwaige Verschmutzungen zu entfernen, und schieben Sie ihn dann mit dem flachen Ende nach unten wieder in den Behälter. **Sollte der Rahmen nicht richtig passen, vergewissern Sie sich, dass er nicht verkehrt herum eingesetzt ist.**



5. Bauen Sie den Behälterdeckel vollständig zusammen:

- a. Legen Sie den Behälterdeckel mit der Oberseite nach unten auf eine flache Oberfläche. Nehmen Sie die gefettete Gummidichtung aus dem Plastikbeutel. Damit der Deckel komplett abgedichtet ist, darf der Dichtungsring nur angefeuchtet, nicht nass gemacht werden. Passen Sie den Dichtungsring vorsichtig in den Kanal um den Deckelboden ein.
- b. Setzen Sie die Flügelradabdeckung über das Flügelrad. Richten Sie die Achse so aus, dass sie im Ring der Abdeckung sitzt. Drücken Sie entlang der gesamten Kante der Abdeckung, bis die Stifte mit einem „Klick“ einrasten.



6. **Legen Sie den Deckel auf den Behälter.** Achten Sie auf die richtige Ausrichtung. Es ist nur eine Position möglich. Achten Sie darauf, dass das MSF Logo auf dem Deckel und dem Behälter richtig ausgerichtet ist und dass das Netzkabel in die Kerbe am Rand des Filterbehälters passt.

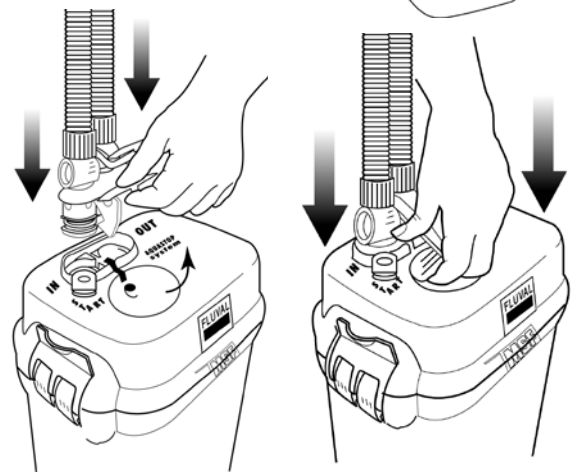
7. **Arretieren Sie die Abdeckung:** Drücken Sie die beiden Hebel der Hub-Verschlussklemmen unter den Rand. Drücken Sie dann die oberen Hebel fest gegen die Abdeckung.

BEFÜLLEN SIE DEN BEHÄLTER NOCH NICHT MIT WASSER

8. Stellen Sie den Behälter an seine endgültige Position im Aquarienschrank.

9. Stecken Sie das Aquastop-Ventil in die Eintritts- und Austrittsverbindungen auf dem Deckel und drücken Sie die silbernen Hebel zum Arretieren nach unten.

10. Halten Sie die Aquastop-Ventile geschlossen, indem der schwarze Hebel ganz nach oben gestellt bleibt.



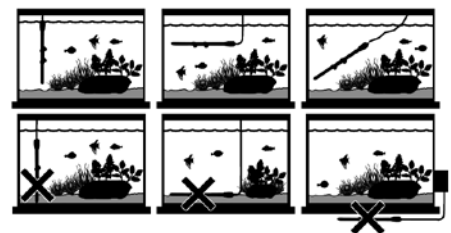
11. **SCHLIESSEN SIE DEN FILTER NOCH NICHT AN DAS STROMNETZ AN. Der Filter kann erst in Betrieb genommen werden, wenn das gesamte Aquarienzubehör installiert und das Aquarium mit Wasser gefüllt ist. Weitere Informationen zur Inbetriebnahme des Filters finden Sie in der Bedienungsanleitung im Filterkarton.**

**ABSCHNITT 3
INSTALLATION DES AQUARIENHEIZERS**

INSTALLATION DES HEIZERS

Positionierung des Heizers

Der Aquarienheizer muss so positioniert werden, dass das Wasser frei um das Glasheizerrohr zirkulieren kann. Der Heizer wird in der Regel im hinteren Teil des Aquariums platziert, vorzugsweise da, wo Wasserbewegung erzeugt wird, um eine gleichmäßige Verteilung des gewärmten Wassers zu gewährleisten. Achten Sie darauf, dass keine Steine, Dekorationen oder Kies den Heizer behindern oder berühren; so können eine ungleichmäßige Heizleistung im Glasrohr und vorzeitiger Verschleiß vermieden werden.



VORSICHT - Der Wasserstand muss auf dem Stand der Wasserstandsmarkierung auf dem Glasheizerrohr gehalten werden. Füllen Sie regelmäßig Wasser nach, um Verdunstungen auszugleichen und den Wasserstand gleich zu halten.

Vorbereitung des Heizers

1. Stellen Sie mit dem mit Zahlen versehenen Temperaturwähler die richtige Temperatur ein.
2. Bringen Sie den Heizer mit der Halterung im Aquarium an. Drücken Sie die Saugnäpfe zur Befestigung fest gegen die Glaswand.
3. **SCHLIESSEN SIE DEN HEIZER NOCH NICHT AN DAS STROMNETZ AN.** Der Heizer kann erst in Betrieb genommen werden, wenn das gesamte Aquarienzubehör installiert und das Aquarium mit Wasser gefüllt ist. Weitere Informationen zur Inbetriebnahme des Heizers finden Sie in den Anweisungen auf der Heizerkarte.

ABSCHNITT 4 DAS AQUARIUM MIT KIES, ZIERELEMENTEN UND STEINEN DEKORIEREN

Entfernen Sie die Strip-Light-Leuchten und die obere Abdeckung, so dass sie vollen Zugang zum Aquarium haben. Zierelemente und Steine werden in das Aquarium gesetzt, bevor es mit Wasser gefüllt wird. Säubern Sie den Kies oder den Bodengrund, bevor Sie ihn auf den Aquarienboden bringen. In der Regel ist eine 5–10 cm dicke Schicht von normalem Aquarienkies (Korallensand in Meerwasseraquarien) ausreichend. Verwenden Sie mehr, wenn Sie echte Pflanzen einsetzen möchten. Um einen angenehmen optischen Eindruck zu schaffen, ist es ratsam, den Kies mit Gefälle von hinten nach vorn einzubringen.

Achten Sie bei der Dekoration des Aquariums darauf, dass der Ansaugkorb des Filters immer mindestens 5 cm über der Kiesschicht am Boden bleibt, so dass kein Kies oder Sand eingesogen wird.

Stellen Sie sicher, dass keine Steine, Dekorationen oder Kies den Heizer behindern oder berühren.

VORSICHT! Legen Sie keinen Stein oder Felsen direkt auf den Glasboden. Sorgen Sie dafür, dass immer eine mindestens 5 cm dicke Kiesschicht zwischen Stein und Glasboden vorhanden ist.

VORSICHT! Gehen Sie äußerst vorsichtig mit harten und schweren Gegenständen wie Dekofelsen um, damit die Glaswände nicht beschädigt werden. Schlagen Sie niemals damit gegen das Glas.

VORSICHT! Häufen Sie keine Steine oder schwere Dekorationsmaterialien gegen das Aus- oder Eintrittssystem, um seitlichen Druck auf die Verbindungsrohre (A) zu vermeiden.

Setzen Sie kleine Pflanzen in das Aquarium

Setzen Sie kleine Pflanzen ein, bevor das Aquarium mit Wasser gefüllt wird. Achten Sie darauf, dass alle echten Pflanzen fest im Kies verwurzelt sind.

Befüllen Sie das Aquarium bis zur Hälfte mit Wasser und setzen Sie die größeren Pflanzen ein.

Befüllen Sie das Aquarium bis zur Hälfte mit Wasser, bevor Sie die größeren Pflanzen einsetzen. Durch das Wasser wird das Anpflanzen erleichtert. Um die Dekoration während der Befüllung des Aquariums nicht zu verunstalten, stellen Sie einen sauberen Teller auf den Kiesboden im Aquarium und gießen Sie das Wasser auf den Teller. Wir empfehlen, das Aquarium mit Wasser zu füllen, das bereits annähernd die gewünschte Temperatur hat. Achten Sie darauf, dass alle echten Pflanzen fest im Kies verwurzelt sind.

Das Aquariums befüllen

Wenn die Pflanzen eingesetzt sind, füllen Sie das Aquarium bis zum unteren Rand des Aluminiumrahmens.

WICHTIG - Nicht überfüllen. Durch Überfüllung des Aquariums kann Wasser unter den oberen Rahmen gelangen und an der Außenseite des Aquariums herunterlaufen.

ABSCHNITT 5 INSTALLATION UND VORBEREITUNG ZUR INBETRIEBNAHME DER STRIP-LIGHT-ABDECKUNG

STRIP-LIGHT-ABDECKUNG: EINZELTEILE

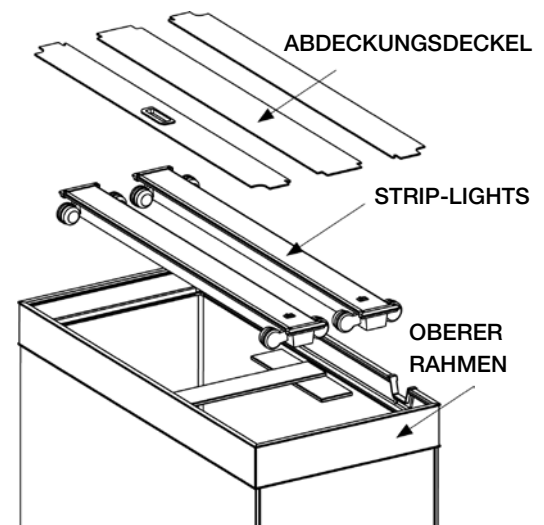
Die Strip-Light-Abdeckung besteht aus:

- 1 Aluminium **AquarienRAHMEN**, der am Aquariumbecken angebracht wird
- 3 **DECKELN** zum Öffnen und Schließen des Aquariums
- 2 **STRIP-LIGHTS** für 4 T5HO-Leuchtstoffröhren.

Alle Strip-Lights sind mit einem **elektronischen Vorschaltgerät** für maximale Leistung und Effizienz ausgestattet.

Je nach Version ist die Strip-Light-Beleuchtung mit einem Schalter am Netzkabel oder einem Kippschalter an der Oberseite der Abdeckung ausgestattet.

STRIP-LIGHT: WICHTIGE SICHERHEITSHINWEISE



ACHTUNG - Zum Schutz vor Verletzungen sind grundlegende Sicherheitsvorkehrungen zu beachten, einschließlich der folgenden Hinweise:

1. **LESEN UND BEFOLGEN SIE ALLE SICHERHEITSVORSCHRIFTEN** sowie alle wichtigen Hinweise auf dem Gerät vor der Inbetriebnahme von STRIP-LIGHT. Andernfalls kann es zu Schäden an diesem Gerät und/oder zu Fischverlusten kommen.

2. **GEFAHR** – Zur Vermeidung eines möglichen elektrischen Schlags sollten Sie besonders vorsichtig sein, weil bei der Benutzung des Aquarienzubehörs Wasser verwendet wird. In den folgenden Situationen sollten Sie nicht versuchen, das Gerät selber zu reparieren, sondern es an einen autorisierten Kundendienst zur Reparatur geben oder das Gerät entsorgen.

- A. Sollte das Gerät ins Wasser fallen, greifen Sie **NICHT** danach! Trennen Sie es erst vom Stromnetz, bevor Sie es aus dem Wasser holen. Wenn elektrische Komponenten des Geräts nass werden, trennen Sie es sofort vom Stromnetz.
- B. Wenn das Gerät Anzeichen für ungewöhnliche Wasserundichtigkeit zeigt oder wenn sich die Fehlerstrom-Schutzeinrichtung (oder der FI-Schutzschalter) ausgeschaltet haben, ziehen Sie den Stecker aus der Steckdose und nehmen Sie das Gerät aus dem Wasser.
- C. Gerät nach der Installation sorgfältig überprüfen. Es darf nicht an das Stromnetz angeschlossen werden, wenn Teile nass geworden sind, die nicht nass werden sollen.
- D. Kein Gerät mit beschädigtem Netzkabel oder beschädigtem Stecker benutzen oder wenn es nicht richtig funktioniert, heruntergefallen ist oder anderweitig beschädigt wurde. Das Netzkabel dieses Geräts kann nicht ausgewechselt werden. Wenn das Kabel beschädigt ist, sollte das Gerät entsorgt werden. Niemals das Kabel abschneiden.
- E. Um zu verhindern, dass der Gerätestecker oder die Steckdose nass wird, erzeugen Sie eine „Tropfschleife“ nach den Anweisungen in „WICHTIGE SICHERHEITSHINWEISE“ in der Einleitung dieser Bedienungsanleitung.

3. Dieses Gerät ist nicht zur Verwendung durch körperlich oder geistig behinderte Personen sowie Kinder bestimmt, es sei denn, dass eine für ihre Sicherheit verantwortliche Person sie unter Aufsicht oder Anleitung das Gerät bedienen lässt. Kinder sollten stets beaufsichtigt werden, damit sie nicht mit dem Gerät herumspielen.

4. Um Verletzungen zu vermeiden, berühren Sie keine heißen Teile, wie z. B. Heizer, Reflektoren, Glühlampen usw.

5. **VORSICHT** - Grundsätzlich alle Geräte im Aquarium vom Stromnetz trennen, bevor Hände in Wasser getaucht, Teile ein- bzw. abgebaut oder Geräte installiert bzw. gewartet werden. Nicht am Netzkabel ziehen, um den Stecker aus der Steckdose zu ziehen. Immer am Stecker anfassen und ihn herausziehen. Bei Nichtbenutzung des Gerätes immer den Stecker aus der Steckdose ziehen.

6. Diese nicht tauchbare AQUARIENBELEUCHTUNG (STRIP-LIGHT) ist ausschließlich für den Gebrauch in geschlossenen Räumen zusammen mit OBEREN Fluval PROFILE RAHMEN bestimmt und eignet sich sowohl für Süß- als auch für Meerwasseraquarien mit einer maximalen Wassertemperatur von 35 °C (95°F). Verwenden Sie dieses Gerät nur für den angegebenen Verwendungszweck. Die Verwendung von Anbauteilen, die nicht vom Gerätehersteller empfohlen oder verkauft werden, kann zu einem unsicheren Betriebszustand führen.

7. **WICHTIG.** Verwenden Sie nur die für Aquarien üblichen Standard T5HO-Leuchtstoffröhren gemäß den Angaben auf dem Schild mit den elektrischen Daten auf dem Strip-Light.

8. Installieren oder lagern Sie das Gerät nicht dort, wo es der Witterung oder Temperaturen unter dem Gefrierpunkt ausgesetzt ist.

9. **WICHTIG:** Vergewissern Sie sich, dass das STRIP-LIGHT sicher und ordnungsgemäß installiert wurde, bevor Sie es in Betrieb nehmen. Der Abstand zwischen dem STRIP-LIGHT und der Wasseroberfläche sollte mindestens 15 mm betragen. Das STRIP-LIGHT darf niemals unter Wasser in Betrieb genommen werden. **ACHTUNG.** Die Sicherheit der Strip-Lights ist garantiert, sofern beide Leuchtstoffröhren und die Fassungen ordnungsgemäß installiert sind.

10. Wenn ein Verlängerungskabel benötigt wird, muss ein Kabel geeigneter Leistung benutzt werden. Ein Verlängerungskabel mit weniger Ampere- oder Watt als das Gerät hat kann sich überhitzen. Achten Sie darauf, das Verlängerungskabel so zu verlegen, dass man nicht darüber stolpert oder es herauszieht.

11. **ACHTUNG.** Überhitzungsgefahr: Stellen Sie keine Gegenstände auf das STRIP-LIGHT. Achten Sie darauf, dass genügend Luft um die STRIP-LIGHTS herum ist.

BEWAHREN SIE DIESE ANLEITUNG AUF.

Zur vollständigen Nutzung und zum Verständnis dieses Produkts wird empfohlen, diese Anleitung gründlich zu lesen und zu verstehen. Andernfalls kann dieses Produkt beschädigt werden.

VORBEREITUNG UND INSTALLATION DER STRIP-LIGHTS

Alle PROFILE Aquarienmodelle verfügen über je 2 STRIP-LIGHTS. Jedes STRIP-LIGHT enthält zwei (2) T5HO-Leuchtstoffröhren. Die mitgelieferten GLO T5H5-Lampen müssen in jedes STRIP-LIGHT eingesetzt werden.

1. Drehen Sie das Gewinde des Lampenhalters mit einer Hand los und halten Sie mit der anderen Hand die Lampenfassung fest (um versehentliche Beschädigung des Plastikteils zu vermeiden). Dieser Vorgang muss an beiden Enden jedes STRIP-LIGHTS durchgeführt werden.

2. Schieben Sie die Gewindehalterung mit den Dichtungen bis zur Mitte der Leuchtstoffröhren, so dass die Gewinde zu den Enden der Leuchtstoffröhren weisen (ABB 6).

Achten Sie darauf, dass die Dichtung ordnungsgemäß sitzt.

3. Stecken Sie die Stifte der neuen Leuchtstoffröhre vorsichtig in die Schlitze der Lampenfassung an jedem Ende der STRIP-LIGHTS.

3A. Drehen Sie die Leuchtstoffröhren um eine ¼- oder 90°-Drehung, bis die Lampen mit einem Klick eingerastet sind.

4. Halten Sie die Lampenhalterung vorsichtig mit einer Hand fest und drehen Sie das Gewinde mit der anderen Hand vorsichtig fest. Drehen Sie die Gewinde mit der Hand fest; von dem Gebrauch von Werkzeugen wird abgeraten. Achten Sie darauf, dass die Endkappen vollständig auf die Lampenhalterungen geschraubt sind. Diese Teile sind aus Plastik. Vermeiden Sie es, die Gewinde schief aufzudrehen.

5. Setzen Sie das STRIP-LIGHT zurück auf das Aquarium und setzen Sie die 3 Deckel ein.

6. Wiederholen Sie Schritt 1-4 für das zweite STRIP-LIGHT.

ACHTUNG: Achten Sie darauf, dass weder Teile vom Gewinde zu sehen sind noch Abstände zwischen Lampenfassung und Gewindehalterung bestehen. Achten Sie darauf, dass das Gewinde nicht schief auf die Lampenfassung gedreht wird. (Abb. 7)

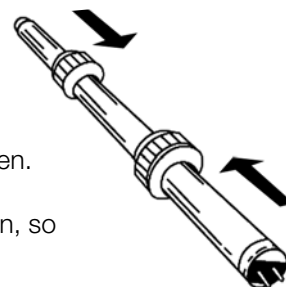


ABB. 6

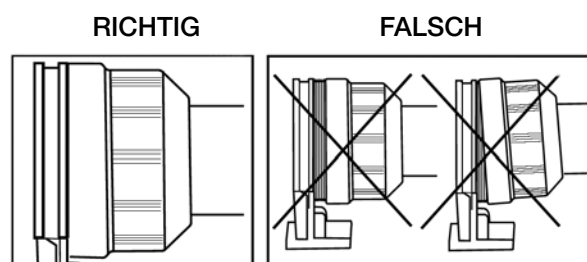


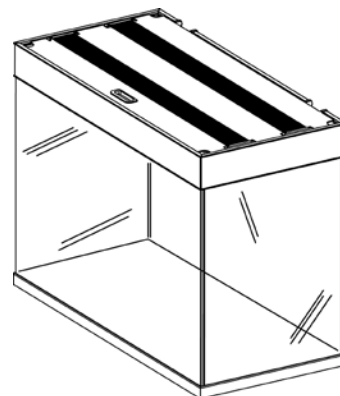
ABB. 7

Die Gewindehalterungen müssen festgedreht werden, um das Eindringen von Feuchtigkeit in die Fassung und die elektrischen Kontakte zu vermeiden.

ACHTUNG: Die Sicherheit dieser STRIP-LIGHTS ist nur gewährleistet, wenn beide Lampen eingesetzt sind und alle Gewindehalterungen ordnungsgemäß installiert wurden.

Setzen Sie zuerst die STRIP-LIGHTS und dann die Deckel auf den oberen Rahmen, um das Aquarium vollständig abzudecken.

SCHLIESSEN SIE DAS STRIP-LIGHT NOCH NICHT AN DAS STROMNETZ AN. Die STRIP-LIGHTS können erst in Betrieb genommen werden, wenn das gesamte Aquarienzubehör installiert ist. Weitere Informationen zur Inbetriebnahme der STRIP-LIGHTS finden Sie in Abschnitt 6.



ABSCHNITT 6 WARTUNG

ACHTUNG: Grundsätzlich alle Geräte im Aquarium vom Stromnetz trennen, bevor Hände in Wasser getaucht, Teile ein- bzw. abgebaut oder Geräte installiert, gewartet werden oder wenn mit ihnen hantiert wird.

I. PFLEGE UND WARTUNG DES AQUARIENGLASBECKENS

Das Aquarienbecken braucht keine besondere Wartung; es muss nur regelmäßig gereinigt werden. **Achten Sie bei der Reinigung und Wartung Ihres Aquariums besonders darauf, die Silikondichtungen nicht zu beschädigen.**

Benutzen Sie NIEMALS Seife, Reinigungsmittel oder andere aggressive chemische Substanzen, um Ihr Aquarienbecken zu reinigen, da sie die Silikondichtungen beschädigen können.

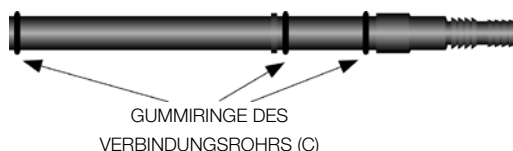
Sollten Sie ein Salzwasseraquarium haben, beachten Sie bitte die folgenden Hinweise:

ZUSÄTZLICHE SICHERHEITSHINWEISE ZUR MONTAGE UND WARTUNG VON SALZWASSERAQUARIEN

Es ist allgemein bekannt, dass Salzwasser weitaus korrosiver und leitfähiger ist sowie Plastik- und Metallteile schneller zersetzt als Süßwasser. Um Salzablagerungen auf dem Aquarium zu minimieren, beachten Sie folgende Empfehlungen:

1. Achten Sie darauf, dass die Wasseraustrittsstutzen des Filters kein Wasser über die Wasseroberfläche sprühen. Bringen Sie den Wasseraustrittsstutzen leicht nach unten angewinkelt unterhalb der Wasseroberfläche an, so dass eine Oberflächenbewegung noch möglich ist (dies trägt zur Sauerstoffanreicherung bei).
2. Wenn eine Durchlüfterpumpe verwendet wird, müssen die Salzablagerungen regelmäßig entfernt werden.
3. Halten Sie den Wasserstand so konstant wie möglich (füllen Sie regelmäßig Wasser auf, um die Verdunstung auszugleichen). So kann ein gleichbleibender Salzgehalt gewährleistet und die Abdeckung geschützt werden.
4. Reinigen Sie mindestens alle zwei Wochen alle Teile des Aquariums, die mit Salzwasser in Kontakt kommen. Verwenden Sie ein feuchtes Tuch (verwenden Sie niemals Chemikalien oder Reinigungsmittel). Einfacher Zitronensaft kann Kalkablagerungen entfernen. Gründlich abspülen, um Säurereste zu beseitigen.

ERSATZTEILE



Wasseraustrittsstutzen (N): 15470 für alle Modelle

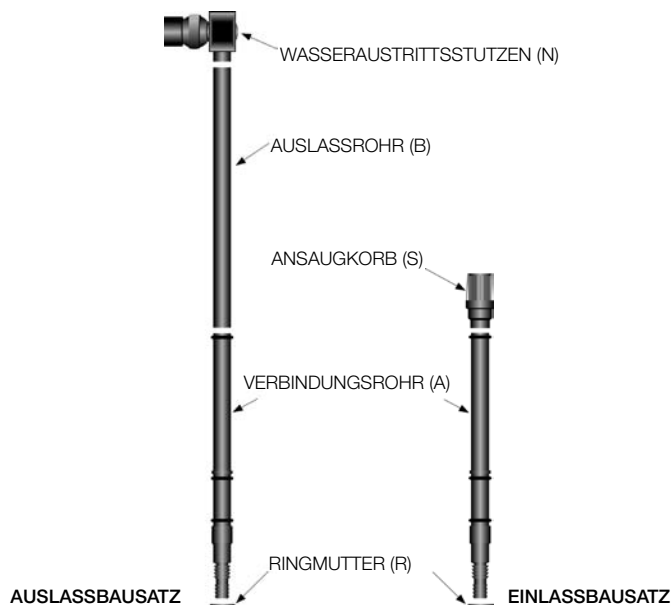
Auslassrohr (B): 15472 für alle Modelle

Verbindungsrohr (A): 15473 für alle Modelle

Ansaugkorb (S): A-20009 für alle Modelle

Gummiring (C): 15476 für alle Modelle

Ringmutter (R): 15474 für alle Modelle



2. WARTUNG DER STRIP-LIGHT-ABDECKUNG

ACHTUNG: Leuchtstoffröhren sind aus Glas. Behandeln Sie die STRIP-LIGHTS und Röhren mit Vorsicht.

EMPFEHLUNG: Verwenden Sie nur die für Aquarien üblichen Standard T5HO-Leuchtmittel gemäß den Angaben zur Wattzahl auf dem Schild mit den elektrischen Daten auf dem STRIP-LIGHT. Verwenden Sie nur Originalersatzteile.

AUSWECHSELN DER LEUCHTSTOFFRÖHREN DER STRIP-LIGHTS

1. Trennen Sie das STRIP-LIGHT vom Stromnetz.

ACHTUNG: Ziehen Sie den Netzstecker aus der Steckdose. Es reicht NICHT, die Beleuchtung nur mit dem Schalter am Kabel auszuschalten.

2. Nehmen Sie die STRIP-LIGHTS aus dem Aquarium und legen Sie sie mit den Leuchtstoffröhren nach oben gerichtet auf einen festen Untergrund, weit genug vom Aquarium entfernt, um zu verhindern, dass Teile versehentlich ins Wasser fallen.

3. Drehen Sie die Gewindehalterung mit einer Hand los und halten Sie mit der anderen Hand die Lampenhalterung fest (um versehentliche Beschädigung des Plastikteils zu vermeiden). Dieser Vorgang muss an beiden Enden jeder zur ersetzenden Leuchtstoffröhre wiederholt werden.

4. Ziehen Sie die Leuchtstoffröhre vorsichtig heraus.

5. Schieben Sie die Gewindehalterungen mit den Dichtungen bis zur Mitte der neuen Leuchtstoffröhren, so dass die Gewinde zu den Enden der Leuchtstoffröhren weisen (ABB. 6).

Achten Sie darauf, dass die Dichtung ordnungsgemäß sitzt.

6. Stecken Sie die Stifte der neuen Leuchtstoffröhre vorsichtig in die Schlitze der Lampenfassung. Drehen Sie die Röhre um 90°, bis sie klickend einrastet.

7. Halten Sie die Lampenhalterungen vorsichtig mit einer Hand und drehen Sie die Gewindehalterungen mit der anderen Hand fest. Drehen Sie die Gewinde mit der Hand fest; von dem Gebrauch von Werkzeugen wird abgeraten. Diese Teile sind aus Plastik. Vermeiden Sie es, die Gewinde schief aufzudrehen.

8. Setzen Sie das STRIP-LIGHT wieder auf das Aquarium.

ACHTUNG: Die Gewindehalterungen müssen ganz auf die Lampenfassung gedreht werden, um das Eindringen von Feuchtigkeit in die Fassung und die elektrischen Kontakte zu vermeiden. Achten Sie darauf, dass weder Teile vom Gewinde zu sehen sind noch Abstände zwischen Lampenfassung und Gewindehalterung bestehen. Achten Sie darauf, dass die Gewinde nicht schief auf die Lampenfassung gedreht sind.

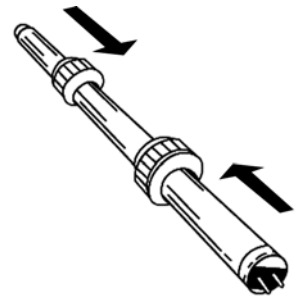


ABB. 6

RICHTIG

FALSCH

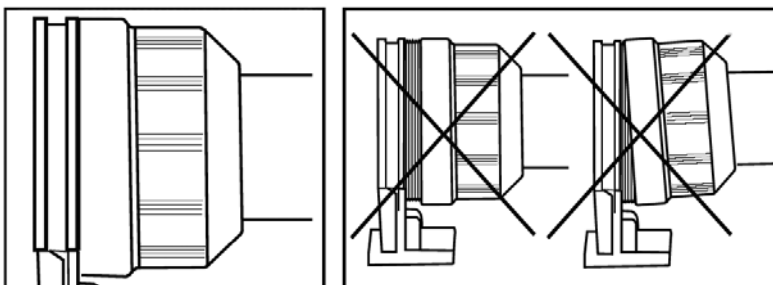


ABB. 7

3. REINIGUNG DER STRIP-LIGHT ABDECKUNG

Trennen Sie die STRIP-LIGHTS vor jeglichen Wartungsarbeiten vom Stromnetz.

ACHTUNG: Ziehen Sie den Netzstecker aus der Steckdose. Es reicht NICHT aus, die Beleuchtung nur mit dem Schalter am Kabel auszuschalten.

Halten Sie die Strip-Lights niemals unter einen Wasserstrahl und tauchen Sie sie niemals unter Wasser.

Die Fluval Strip-Light-Abdeckung benötigt keine besondere Wartung außer einer regelmäßigen Reinigung mit einem feuchten Tuch (verwenden Sie niemals aggressive chemische Produkte oder Reinigungsmittel). Um Kalkablagerungen zu entfernen, verwenden Sie eine milde Säure, wie z. B. Zitronensaft, und wischen Sie die Oberfläche mit einem feuchten Tuch ab, um Reste zu entfernen.

Salzwasseraquarien müssen regelmäßig und gründlich gereinigt werden, um Salzablagerungen auf der Strip-Light-Abdeckung und den Leuchtstoffröhren zu entfernen. Weitere Informationen finden Sie in der Einleitung unter „Zusätzliche Sicherheitshinweise zur Montage und Wartung von Salzwasseraquarien“.

4. STRIP-LIGHT-ERSATZTEILE

Verwenden Sie ausschließlich original Fluval Ersatzteile, um eine kontinuierliche Leistung und Sicherheit zu gewährleisten.

Wir empfehlen Ihnen, beide Lampen gleichzeitig zu erneuern, auch wenn nur eine (1) Lampe nicht mehr funktioniert.

Modell	Leuchtstoffröhren	Vollständiges Strip-Light (ohne Leuchtmittel)
PROFILE 850 15839	T5HO 4x 24W	15839
PROFILE 1000 15849	T5HO 4x 39W	15849
PROFILE 1200 15859	T5HO 4x 39W	15859
PROFILE 1500 15869	T5HO 4x 54W	15869

GARANTIE

Vielen Dank, dass Sie sich für eine FLUVAL-Aquarienkombination entschieden haben.

FLUVAL-Aquarien werden bei der Herstellung ständig geprüft und nur erkennbar einwandfreie Produkte verlassen das Werk.

Vorausgesetzt, dass die Gebrauchsanweisungen befolgt wurden, übernimmt die Firma HAGEN Deutschland für fehlerhafte Teile und Verarbeitung eine zweijährige Garantie ab Kaufdatum. Diese Garantie beinhaltet keine Schäden durch Unfall, falsche Anwendung oder Zweckentfremdung. Sollten Sie Grund zur Reklamation wegen eines Garantiefalles haben, benötigen Sie einen Nachweis des Kaufdatums. Wir empfehlen deshalb, den Kassenbon immer aufzubewahren.

Bei Garantieansprüchen oder Ersatzteilbestellung wenden Sie sich bitte an unsere Website <http://www.hagenservice.de> oder kontaktieren Sie uns zum Ortstarif über unseren Service

DEUTSCHLAND:

Adresse Serviceabteilung Hagen:

HAGEN Deutschland GmbH & Co. KG

- HAGEN Serviceabteilung -

Lehmweg 99-105, 25488 Holm

Kit para acuarios FLUVAL PROFILE

Manual de instrucciones

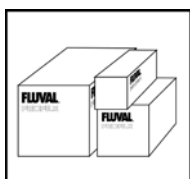
Este manual de instrucciones sirve para los siguientes kits para acuarios Fluval:

PROFILE 850 PROFILE 1200
PROFILE 1000 PROFILE 1500

Todos los kit incluyen un tanque, un pedestal, una cubierta con luces en hilera, un filtro externo Fluval y calentadores.

El filtro externo Fluval puede conectarse con mucha facilidad y sin peligro, gracias al nuevo sistema "Easy Connect" que facilita la conexión a potentes sistemas de filtración externa y elimina el uso de mangueras antiestéticas y de dispositivos con borde transversal saliente.

Los kit vienen embalados en dos (2) o tres (3) cajas separadas:



La primera caja contiene el tanque de vidrio con la cubierta con luces en hilera, el filtro externo Fluval con los accesorios Easy Connect, el calentador y el manual de instrucciones.

La segunda caja contiene el pedestal desarmado con las instrucciones para ensamblarlo. La tercera caja contiene las cuatro (4) columnas PROFILE de aluminio, con la excepción de las del modelo 1500, que se incluyen junto con el acuario.

CARACTERÍSTICAS TÉCNICAS PRINCIPALES

Modelo	*Capacidad del acuario	**Peso del acuario sin agua	***Peso del acuario lleno de agua	Peso del pedestal	Luces de la cubierta con luces en hilera	Potencia de calentamiento	Sistema de filtración
	Litros/Gal EUA	kg/lb	kg/lb	kg/lb	Tipo/W	Vatios	Modelo
PROFILE 850	232/60	59.15/130.4	600/275	38/83.8	T5HO / 4x24	200	Fluval 205
PROFILE 1000	275/72	66.55/146.7	330/720	43/94.8	T5HO / 4x39	300	Fluval 305
PROFILE 1200	323/85	79.55/175.4	850/385	49/108	T5HO / 4x39	300	Fluval 405
PROFILE 1500	500/130	114.20/251.8	590/1300	64/141	T5HO / 4x54	300 (x2)	Fluval 305 (x 2)

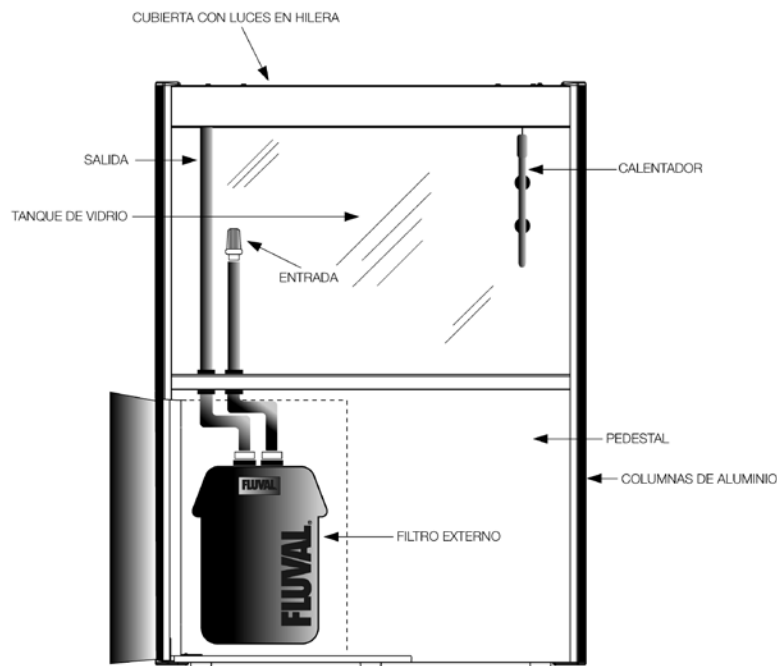
NOTAS IMPORTANTES:

*La capacidad del acuario refiere al volumen aproximado de agua hasta el marco de aluminio del acuario (sin grava) y no a la capacidad máxima del tanque de vidrio.

**Peso aproximado del acuario y la iluminación (sin agua).

***Peso aproximado del acuario lleno de agua y únicamente con una capa gruesa de 15 cm (6") de grava.

KIT PARA ACUARIOS FLUVAL: IDENTIFICACIÓN DE LOS COMPONENTES PRINCIPALES



MEDIDAS DE SEGURIDAD IMPORTANTES

ADVERTENCIA: Para evitar lesiones, se deben tener en cuenta las precauciones básicas de seguridad, incluidas las que se detallan a continuación.

1. Lea con atención todo este manual de instrucciones antes de empezar con la instalación del kit para acuarios y familiarícese con todas las instrucciones de seguridad, términos y piezas. De lo contrario, podría ocasionar la muerte de los peces o dañar el equipo. Las instrucciones para el montaje del pedestal y de la bomba filtrante no se incluyen en este manual. Sin embargo, puede encontrarlas en un manual aparte, que viene dentro de la caja de cartón del pedestal y de la bomba filtrante.

2. **PELIGRO:** Para evitar una posible descarga eléctrica, se debe tener especial cuidado, ya que se manipula agua al usar el equipo del acuario. En las situaciones que se describen a continuación, no intente hacer una reparación usted mismo; lleve el aparato a un centro autorizado que provea los servicios necesarios o deséchelo.

A. Si el aparato presenta indicios de una pérdida irregular de agua, desenchúfelo inmediatamente de la fuente de alimentación.

B. Inspeccione cuidadosamente el aparato una vez instalado. No debe enchufarlo si hay agua en las piezas que no están diseñadas para estar mojadas. Si el aparato o cualquier parte de éste se cae al agua, NO lo agarre. En primer lugar, desenchufe la unidad antes de retirarla.

C. No utilice ningún aparato que tenga un cable o un enchufe dañados.

D. El usuario debe utilizar un “lazo de goteo” (se muestra en la figura lateral) para cada cable que conecte un aparato del acuario al tomacorriente. El “lazo de goteo” es la parte del cable por debajo del nivel del receptáculo, o el conector si se usa un cable de extensión. De este modo, se evita que el agua pase por el cable y esté en contacto con el tomacorriente o con la fuente de alimentación. Si el enchufe o el tomacorriente se mojan, NO desenchufe el cable.

Desconecte el fusible o interruptor que proporciona la alimentación al aparato y, a continuación, desenchufe y verifique si hay agua en el tomacorriente.



E. Este aparato no debe ser usado por personas (incluidos los niños) que presenten discapacidades físicas, sensoriales o mentales significativas, a menos que sean supervisadas o hayan recibido instrucciones sobre el uso del aparato de parte de una persona responsable de su seguridad. Siempre se debe supervisar a los niños para impedir que jueguen con el aparato.

F. Para evitar lesiones, no toque las piezas móviles ni calientes, como calentadores, reflectores, bombillas o piezas similares. La temperatura máxima de funcionamiento es de 35 °C (95 °F).

G. Siempre desenchufe o desconecte todos los aparatos que están dentro del acuario antes de colocar las manos en el agua o antes de agregar o quitar piezas, o mientras instala, manipula o realiza el mantenimiento del equipo. Cuando coloque aparatos en el agua o los retire de ella, siempre desconecte todos los enchufes eléctricos principales. Nunca jale con fuerza del cable para quitar el enchufe del tomacorriente. Tómelo del enchufe y desconéctelo. Siempre desenchufe el aparato cuando no lo use.

H. No instale ni guarde el aparato en lugares expuestos a la intemperie o a temperaturas bajo cero. **PARA USO DOMÉSTICO EN INTERIORES ÚNICAMENTE.**

I. Si es necesario usar un cable de extensión, procure que tenga el calibre adecuado. Un cable de extensión con un amperaje o vataje inferior al del aparato puede recalentarse. Se debe tener cuidado al colocar el cable para que nadie se tropiece con él ni lo desenchufe.

J. Antes de manipular el tanque o el pedestal del acuario, verifique sus pesos en la tabla de la página 49 para evaluar si tiene la capacidad y medios para manejarlos sin riesgos ni posibilidad de daños personales.

ADVERTENCIA. Riesgo de recalentamiento: en ningún momento coloque objetos sobre el acuario u otro aparato conectado al acuario. Si usa rocas porosas, siempre manténgalas en el centro del acuario para evitar fugas de agua debido a la acción capilar alrededor del marco superior.

INSTRUCCIONES DE SEGURIDAD ADICIONALES PARA LA INSTALACIÓN Y EL MANTENIMIENTO DE LOS ACUARIOS DE AGUA SALADA

Comúnmente se sabe que el agua salada en comparación con el agua dulce es mucho más corrosiva, conductiva eléctricamente y que, generalmente, degrada las piezas de metal y plástico a un ritmo acelerado. Para reducir las acumulaciones de sal en el acuario, considere las siguientes recomendaciones:

1. Cerciórese de que las salidas de los filtros no salpiquen por encima de la superficie de agua. Ubique las salidas por debajo del nivel de la superficie de agua con un ligero ángulo hacia abajo; pero, deje que se produzca movimiento en la superficie (esto contribuye a la oxigenación).
2. Si debe usar una bomba de aire, necesitará quitar con frecuencia los depósitos de sal.
3. Mantenga el nivel del agua tan constante como sea posible (llene el acuario regularmente para compensar la evaporación). Esto es beneficioso ya que permite una salinidad estable y ayudará a proteger la cubierta.
4. Por lo menos cada 15 días, limpie todos los componentes del acuario que entren en contacto con agua salada. Utilice un paño húmedo (nunca productos químicos ni detergentes). Para quitar los depósitos calcáreos, podría ser útil usar simplemente jugo de limón. Enjuague muy bien para eliminar cualquier residuo ácido.

CONSERVE ESTAS INSTRUCCIONES

Los cables eléctricos de las luces en hilera y el calentador pueden salir del acuario por las aberturas posteriores del marco superior de éste.

MONTAJE DEL ACUARIO FLUVAL

Para lograr una instalación apropiada y la puesta en marcha de su acuario, observe las siguientes pautas:

A. PREPARACIÓN DEL KIT PARA ACUARIOS PARA SU PUESTA EN MARCHA

1. Arme el pedestal del acuario.

Consulte la Sección n. ° 1 de este manual de instrucciones y el otro manual de instrucciones que aparece en la caja del pedestal.

2. Después de la verificación, coloque el pedestal y el tanque del acuario en su ubicación definitiva.

Consulte la Sección n. ° 1 de este manual de instrucciones.

3. Instale las columnas de aluminio PROFILE.

Consulte la Sección n. ° 1 de este manual de instrucciones.

4. Para instalar los sistemas de entrada y salida del agua

Consulte la Sección n.º 1 de este manual de instrucciones.

5. Ensamble el filtro y conéctelo al tanque.

Consulte la Sección n.º 2 de este manual de instrucciones.

6. Coloque el calentador dentro del acuario.

Consulte la Sección n.º 3 de este manual de instrucciones.

7. Decore su acuario con elementos para el fondo, piedras y grava.

Consulte la Sección n.º 4 de este manual de instrucciones.

8. Colocación de plantas llamativas en el acuario.

Consulte la Sección n.º 4 de este manual de instrucciones.

9. Llene el acuario con agua hasta la mitad de su altura.

Consulte la Sección n.º 4 de este manual de instrucciones.

10. Coloque plantas altas en el acuario.

Consulte la Sección n.º 4 de este manual de instrucciones.

11. Llene el acuario hasta el marco de aluminio.

Consulte la Sección n.º 4 de este manual de instrucciones.

12. Prepare la cubierta con luces en hilera para su puesta en marcha y colóquela en la parte superior del acuario.

Consulte la Sección n.º 5 de este manual de instrucciones.

B. PUESTA EN MARCHA DEL ACUARIO

13. Enchufe el filtro externo.

Consulte el manual de instrucciones que incluye la caja del filtro.

14. Enchufe el calentador.

Consulte el manual de instrucciones del calentador en la tarjeta de éste.

15. Enchufe la cubierta con luces en hilera.

Consulte la Sección n.º 5 de este manual de instrucciones.

16. Una vez que el acuario haya madurado, introduzca los peces.

MANTENIMIENTO

Para realizar cualquier servicio de mantenimiento del vidrio del acuario o de la cubierta con luces en hilera, consulte la Sección n.º 6 de este manual de instrucciones.

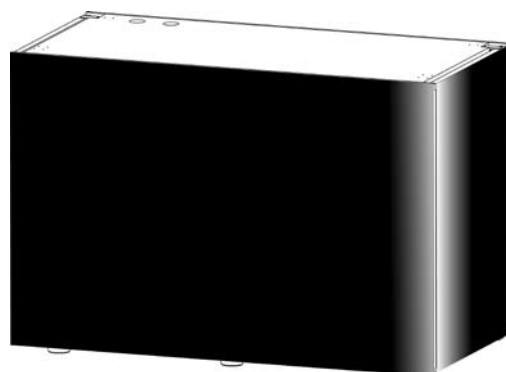
Para realizar servicios de mantenimiento del filtro o del calentador del acuario, consulte el manual de instrucciones que se encuentra en sus respectivos empaques.

SECCIÓN N.º I

MONTAJE DEL PEDESTAL PARA ACUARIOS: VERIFICACIÓN, INSTALACIÓN DEL TANQUE DE VIDRIO E INSTALACIÓN DE LAS COLUMNAS DE ALUMINIO

MONTAJE DEL PEDESTAL PARA ACUARIOS

No intente ensamblar el pedestal sin leer y seguir las indicaciones del manual de instrucciones.



El manual viene provisto con el pedestal. Si no lo encuentra o está inutilizable, comuníquese con la tienda donde hizo la compra o con el Departamento de Servicio a la Clientela de Hagen para obtener otra copia.

El acuario Fluval deberá colocarse en un pedestal Fluval adecuado, exclusivamente diseñado para ese acuario. Los pedestales Fluval garantizan una apropiada superficie sólida y plana, que no se dobla ni se deforma. El uso de otro soporte invalidará la garantía.

Nunca intente mover o transportar el pedestal con el tanque de vidrio o cualquier otro peso sobre él.

Quite todo el contenido de la caja. Antes de empezar, identifique, cuente y verifique que tenga todas las piezas necesarias para el montaje. Si falta alguna pieza, no haga el montaje y comuníquese con la tienda donde hizo la compra o el Departamento de Servicio a la Clientela de Hagen. Arme el pedestal de acuerdo con las instrucciones.

Luego de finalizar el montaje, cerciórese de que TODAS las piezas han sido utilizadas apropiadamente. El pedestal para acuarios es de madera. Le recomendamos mantener seca la superficie del pedestal.

VERIFICACIÓN DEL TANQUE DE VIDRIO PARA ACUARIOS

El tanque de vidrio para acuarios viene completo con marcos de aluminio superiores e inferiores fijados a él. No intente quitar dichos marcos. A pesar de emplear el máximo cuidado y las técnicas más avanzadas en la fabricación del tanque de vidrio, le recomendamos revisarlo cuidadosamente para cerciorarse de que no se dañó durante la manipulación y el transporte.

El tanque es de vidrio. Manéjelo siempre con extremo cuidado.

Nunca intente mover o transportar el tanque si no está completamente vacío de agua o de cualquier otro material.

Siempre procure no dañar los sellos en los bordes de los paneles de vidrio mientras realiza el mantenimiento de su acuario.

Nunca use sustancias tóxicas o abrasivas para limpiar su acuario.

UBICACIÓN DEFINITIVA DEL ACUARIO CON SU PEDESTAL

La ubicación del acuario es muy importante. Ubíquelo lejos de la exposición directa al sol. Así reducirá las posibilidades de una excesiva formación de algas e impedirá el recalentamiento. Mantenga el acuario alejado de otras fuentes de calor (conductos de aire, radiadores, etc.) para mantener una temperatura apropiada. También deben evitarse las corrientes de aire. No coloque el acuario en lugares en que posibles derrames de agua puedan causar daños.

Las dimensiones y la estructura del pedestal están diseñadas específicamente para resistir el peso de un acuario completamente lleno. El uso de un pedestal o soporte diferente podría originar condiciones inseguras y anular la garantía del tanque.

ADVERTENCIA. Cerciórese de que la ubicación escogida pueda sostener el peso total del pedestal y del acuario completamente lleno.

La ubicación escogida deberá tener una superficie plana y a nivel. Coloque el acuario y el pedestal cerca de un tomacorriente eléctrico.

Luego de colocar el pedestal, utilice un nivel de burbuja para cerciorarse de que el nivelado sea perfecto.

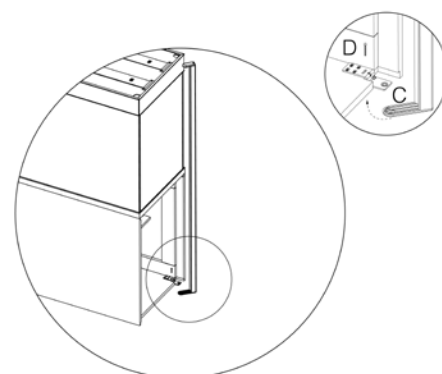
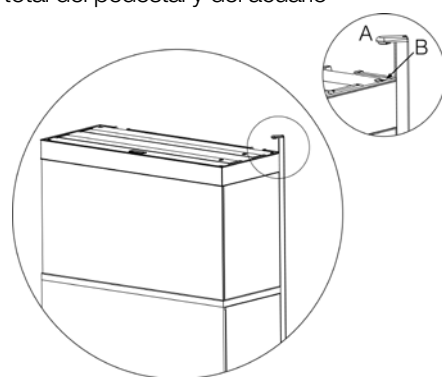
IMPORTANTE: Coloque el tanque del acuario directamente sobre el pedestal sin ningún soporte adicional ni amortiguador entre ambos. NUNCA coloque un revestimiento entre el pedestal y el acuario.

INSTALACIÓN DE LAS COLUMNAS DE ALUMINIO PROFILE

1) Antes de comenzar, asegúrese de tener un juego completo de 4 columnas de aluminio.

2) Para limpiar la superficie, elimine el polvo o la suciedad con un paño húmedo antes de aplicar las columnas. No utilice detergentes fuertes o abrasivos que puedan dañar la superficie.

3) Seque la superficie por completo.



4) Abra la puerta lateral del pedestal.

5) Coloque el soporte plástico superior de la columna (A) en la esquina del marco de la cubierta (B).

6) Coloque el soporte plástico inferior de la columna (C) debajo del pedestal. El orificio del soporte plástico debe coincidir con el de la base del pedestal.

7) Desde la parte interior de la base del pedestal, sujete el soporte inferior al soporte plástico mediante tornillos colocados a través de la base del pedestal (D). NO AJUSTE DEMASIADO.

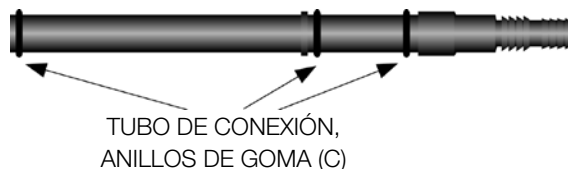
8) Repita los pasos 4 a 7 para cada una de las cuatro columnas de aluminio PROFILE.

Nota: En los modelos PROFILE 850, 1000 y 1200, las columnas PROFILE no se embanan junto con los acuarios de vidrio, sino que por separado. En el caso del modelo PROFILE 1500, las columnas se encuentran dentro del acuario.

INSTALACIÓN DE LA ENTRADA Y SALIDA DE AGUA CON EL SISTEMA EASY CONNECT

Todos los acuarios PROFILE vienen provistos con el innovador sistema Easy Connect que le permite conectar el tanque directamente al filtro externo, a través del vidrio inferior y mediante accesorios especiales. Con otros sistemas, se puede lograr el mismo tipo de conexión con accesorios complejos y, a menudo, con la ayuda de técnicos expertos. El sistema Easy Connect permite una instalación muy sencilla y sin peligro, y brinda a su acuario una apariencia limpia y profesional.

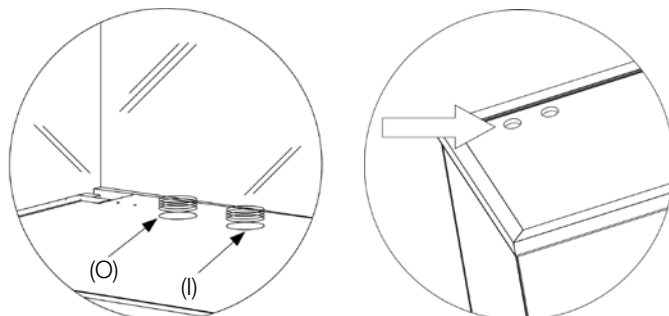
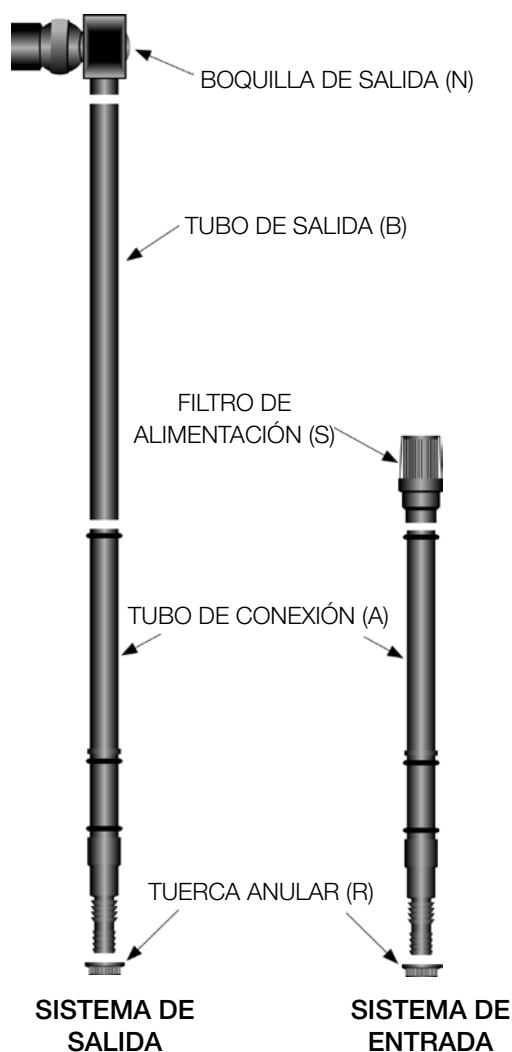
Antes de comenzar, observe las ilustraciones de montaje para identificar y contar todas las piezas necesarias. Si falta alguna, no realice la instalación y comuníquese con el vendedor de la tienda donde hizo la compra o el Departamento de Servicio a la Clientela de Hagen.



Antes de hacer la instalación, verifique los tubos (A) para saber si están los tres (3) anillos de goma (C). Si faltase uno de estos anillos (C), no haga la instalación y comuníquese con el vendedor de la tienda donde hizo la compra o con el Departamento de Servicio a la Clientela de Hagen.

Ubique las 2 aberturas (O) y (I) en el vidrio inferior del tanque y los orificios correspondientes en el pedestal. Las 2 aberturas en el vidrio inferior del tanque vienen completas con accesorios de plástico instalados en fábrica, que nunca deberán quitarse, girarse ni aflojarse. El sistema de salida deberá instalarse en la abertura (O) y el de entrada, en la abertura (I).

Una vez instalados los sistemas de salida y entrada, no mueva el tanque del pedestal, ya que esto podría dañar dichos sistemas y el tanque de vidrio. No fuerce, desajuste ni gire los accesorios especiales instalados en fábrica en las aberturas del tanque (O) y (I).

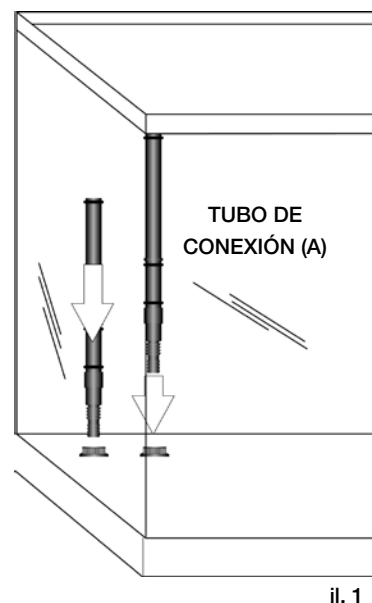


UBIQUE LAS 2 ABERTURAS EN EL VIDRIO INFERIOR DEL TANQUE Y ASEGÚRESE DE QUE LAS ABERTURAS CORRESPONDIENTES DEL PEDESTAL COINCIDAN CON AQUÉLLAS.

Instalación del sistema de salida

1. Coloque el tubo de conexión (A) completamente en la abertura (O) hasta que se detenga (Ilustración 1).
2. Abra el pedestal. Enrosque y ajuste la tuerca anular (R) en el extremo inferior del tubo (A) (Ilustración 2).
3. Inserte la boquilla de salida (N) en uno de los extremos del tubo de salida (B).
4. Inserte el tubo de salida (B) en el tubo de conexión (A) (Ilustración 3)
5. Regule la altura de las boquillas de salida, según sea necesario, deslizando el tubo de salida (B) a lo largo del tubo de conexión (A).
6. Las boquillas de salida (N) pueden girarse con facilidad para desviar el flujo de agua al lugar que desee.

Dirija los chorros de agua de manera que el agua del tanque no desborde. Evite dirigir los chorros hacia las luces en hilera de la cubierta.

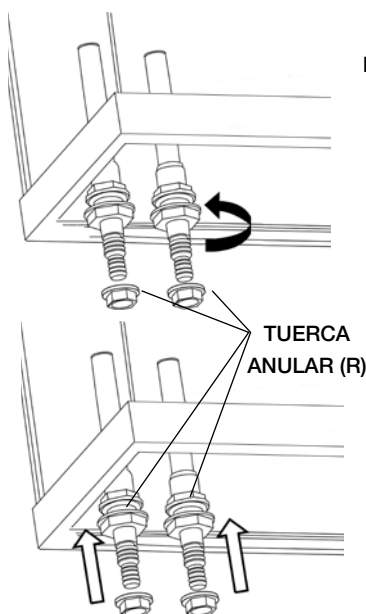


Instalación del sistema de entrada

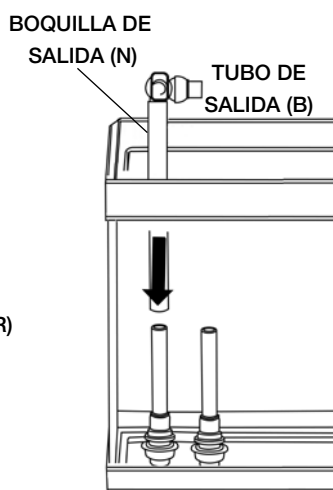
1. Coloque el segundo tubo de conexión (A) completamente por la abertura (I) hasta que se detenga (Ilustración 1).
2. Abra el pedestal. Enrosque y ajuste la tuerca anular (R) en el extremo inferior del segundo tubo (A) (Ilustración 2).
3. Inserte el filtro de alimentación (S) en el tubo de conexión (A) (Ilustración 4).

La altura del filtro de alimentación se adapta a la mayoría de los adornos estándares para acuarios. Cuando decore el acuario, asegúrese de que el filtro de alimentación sobresalga por lo menos 5 cm (2") del fondo de la grava para impedir que aspire grava o arena. Corrobore que los adornos no obstruyan el flujo del agua. Los adornos y las piedras deberán colocarse cuando el acuario todavía está seco.

¡PRECAUCIÓN! Nunca fuerce los tubos de conexión (A) hacia los lados, ya que esto podría dañar los sistemas de salida y entrada y el tanque de vidrio.



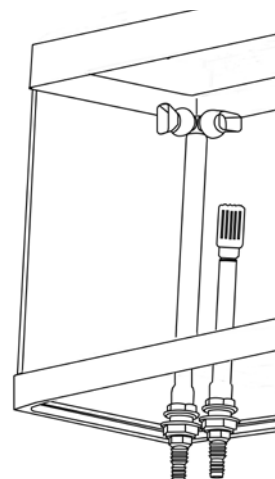
il. 2



il. 3



il. 4

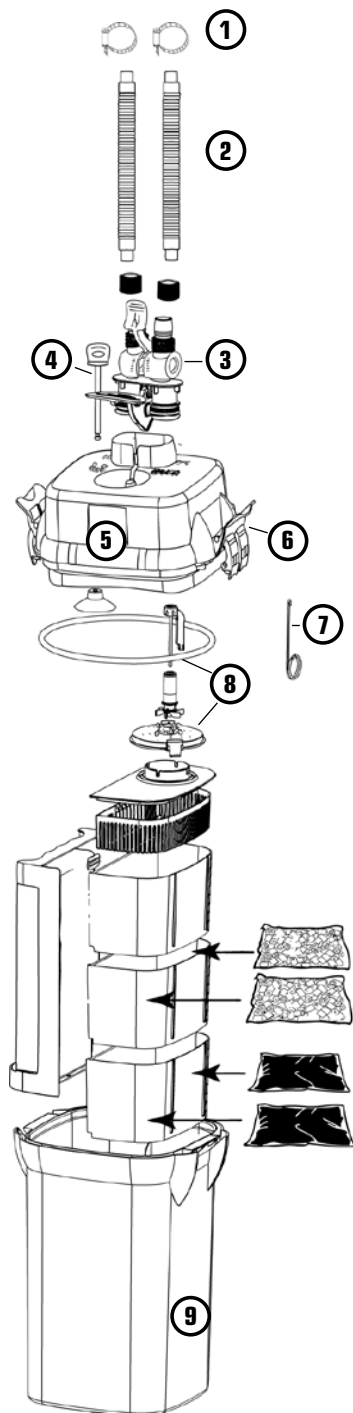


il. 5

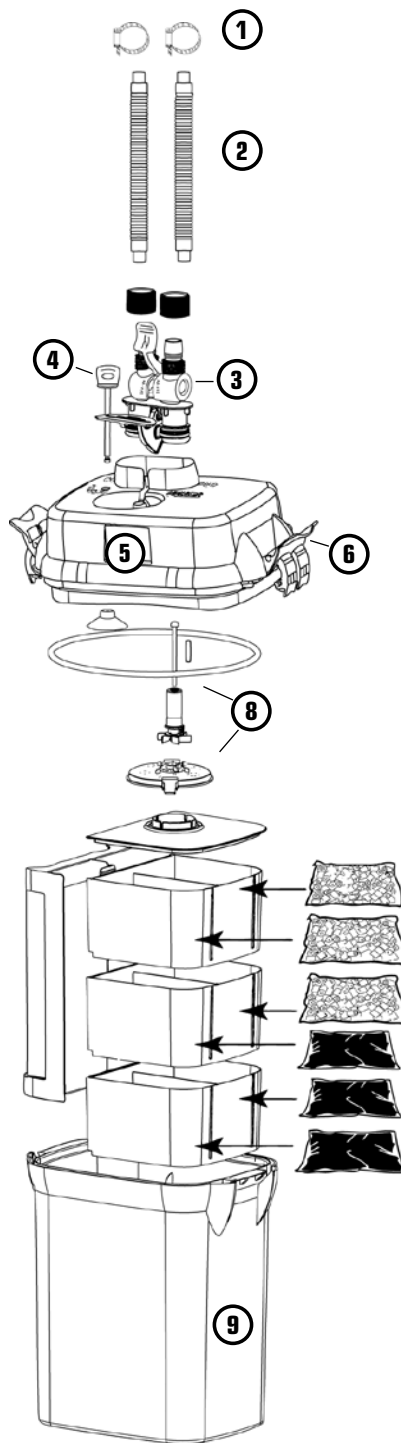
SECCIÓN N.º 2 INSTALACIÓN DEL FILTRO EXTERNO FLUVAL

FILTRO FLUVAL: PIEZAS DEL PRODUCTO

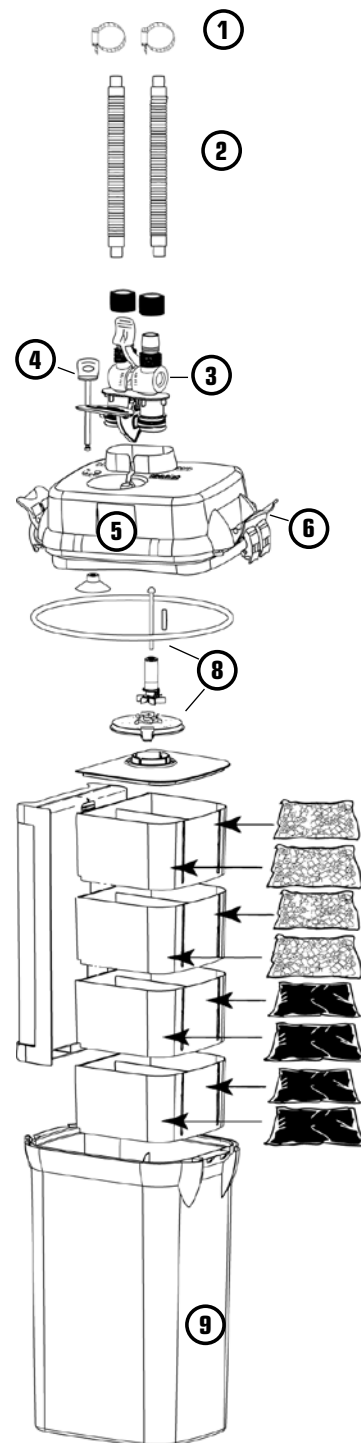
FLUVAL 205
PROFILE 850



FLUVAL 305
PROFILE 1000
PROFILE 1500



FLUVAL 405
PROFILE 1200



IMPORTANTE: El filtro se conecta directamente al tanque por el fondo del vidrio del acuario, por lo tanto no se requiere el sistema Instant Prime (pieza n.º 4). **Siempre mantenga la manija del sistema Instant Prime en la posición “Abajo”.**

INSTALACIÓN DEL FILTRO FLUVAL



1. Desempaque e identifique todas las piezas. Este filtro está diseñado únicamente para juegos de acuarios Fluval con conexiones en la parte inferior del tanque.

2. Prepare las conexiones de entrada y salida.

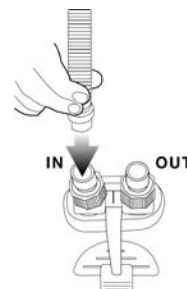
Para quitar la válvula Aquastop (3) de la tapa del cartucho (5), levante bien hasta arriba primero la palanca negra y luego la palanca plateada.

La palanca negra cierra y abre las válvulas Aquastop. La palanca plateada bloquea la válvula Aquastop a la tapa del cartucho (5). Cuando la palanca plateada está completamente hacia arriba, la válvula Aquastop se desconecta de la tapa del cartucho (5). Importante: para evitar derrames de agua, no debe manipularse la palanca plateada si la palanca negra no está levantada completamente.

Conecte las mangueras nervadas (2) a la válvula Aquastop (3).

Sujete la primera manguera al conector de entrada **IN** y la segunda, al conector de salida **OUT** de la válvula Aquastop, de la siguiente manera:

- Empuje, completamente hasta donde llegue, uno de los extremos de la manguera en la válvula.
- Gire la tuerca de sujeción hacia la izquierda hasta que se ajuste, sin necesidad de forzarla.



Conecte las mangueras nervadas a los tubos de entrada y salida del acuario instalados en la Sección n.º 1.

Abra el pedestal. Conecte el extremo suelto de la manguera nervada (2) unida al conector de entrada **IN** de la válvula Aquastop (3) al tubo de conexión, a su vez unido a la **alimentación del acuario** y luego conecte el extremo suelto de la manguera nervada (2) unida al conector de salida **OUT** de la válvula Aquastop (3) al tubo de conexión sujeto a la **salida del acuario**, de la siguiente manera:

- Desajuste la abrazadera metálica (1) y deslícela por el extremo suelto de la manguera (2).
- Empuje el extremo de la manguera por el tubo de conexión del acuario, completamente, hasta donde llegue.
- Coloque la abrazadera metálica sobre el conector de goma y ajuste con un destornillador.

ADVERTENCIA: Evite forzar, en todo momento, las mangueras nervadas hacia los lados cerca de las conexiones Aquastop y el tubo de conexión, para impedir que se salgan de estas conexiones y vacíen el acuario.

3. Prepare el filtro.

IMPORTANTE: Los medios filtrantes BIOMAX y de carbón provistos con el filtro Fluval se colocaron deliberadamente en las canastas del nivel superior, medio e inferior para indicar las **ubicaciones recomendadas** a fin de obtener una filtración básica óptima. Cuando prepare el filtro, cerciórese de observar estas ubicaciones y colocar los medios filtrantes en canastas **al mismo nivel**.

Para obtener más información acerca de las opciones de medios filtrantes para cartuchos Fluval, visite el sitio www.hagen.com

1. Quite la malla de espuma, la tapa y las canastas de los medios filtrantes del cartucho del filtro. Cuando retire los medios filtrantes BIOMAX y el carbón de las canastas, observe los niveles en los que fueron colocados. Luego quite sus envolturas externas, pero no quite el carbón de sus bolsas porosas.

2. Enjuague las canastas y los materiales filtrantes con agua corriente del grifo para quitar el polvo y coloque los medios en las canastas. Si prefiere, seleccione otros medios filtrantes. **Para obtener más información, consulte el manual de instrucciones que incluye la caja del filtro.**

3. Coloque las canastas de los medios filtrantes enjuagadas y llenas en el cartucho y vuelva a poner la tapa de los medios en la canasta superior. **IMPORTANTE:** Asegúrese de que cada medio esté ubicado en el mismo nivel en que fue colocado, a menos que usted escoja deliberadamente un plan de filtración diferente al recomendado en el montaje básico. **Nunca llene demasiado las canastas. Si la tapa o las canastas no están en la posición correcta, la tapa (5) no cerrará apropiadamente.**

4. Enjuague, antes de usar, ambos lados de la malla de espuma con agua de grifo para quitar todo posible contaminante y colóquela nuevamente en el cartucho con el extremo plano hacia abajo. **Si la malla no encaja adecuadamente, cerciórese de que no esté boca abajo.**

5. Complete el montaje de la tapa del cartucho:

- Ponga la tapa del cartucho sobre una superficie plana con la parte superior hacia abajo. Quite la junta de goma lubricada de su bolsa plástica. Para sellar la abertura de la tapa correctamente, la junta tiene que estar húmeda pero no necesariamente mojada. Con cuidado fije la junta en el canal alrededor de la base de la tapa.
- Coloque la tapa del impulsor sobre el impulsor. Alinee el eje de manera que se acomode en el anillo de la tapa, empuje hacia abajo alrededor de toda la circunferencia del borde hasta que los sujetadores hagan "clic" y queden enganchados.



6. **Coloque la tapa en el cartucho.** Cerciérese de colocarla apropiadamente. La orientación posible es una sola. Asegúrese de que el logotipo MSF de la tapa esté alineado con el del cartucho y que el cable entre en la ranura del borde del cartucho.

7. **Cierre la tapa:** empuje los sujetadores dobles de los cierres herméticos con enganche debajo del borde, luego presione firmemente los sujetadores superiores contra la tapa.

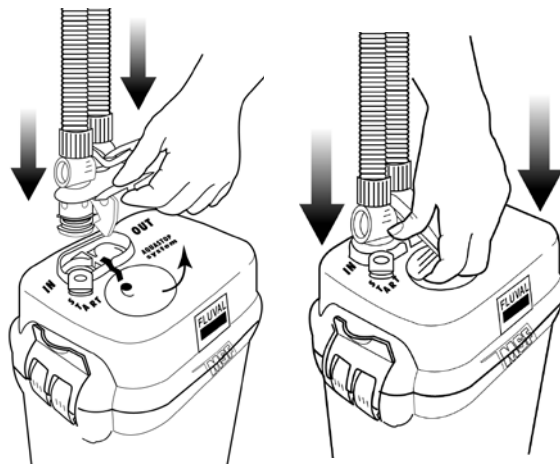
NO LLENE EL CARTUCHO CON AGUA

8. Coloque la unidad en su posición definitiva dentro del pedestal.

9. Inserte la válvula Aquastop en los conectores de alimentación y de salida de la tapa y empuje hacia abajo la palanca plateada para bloquearla.

10. Mantenga las válvulas Aquastop cerradas, con la palanca negra totalmente hacia arriba.

11. **NO ENCHUFE EL FILTRO AHORA.** El filtro está listo para su puesta en marcha, pero únicamente puede empezar a funcionar si todos los accesorios del acuario están instalados y si el acuario está lleno de agua. Para obtener más información sobre la puesta en marcha del filtro, consulte el manual de instrucciones que incluye la caja del filtro.



SECCIÓN N.º 3 INSTALACIÓN DEL CALENTADOR DE ACUARIO

INSTALACIÓN DEL CALENTADOR

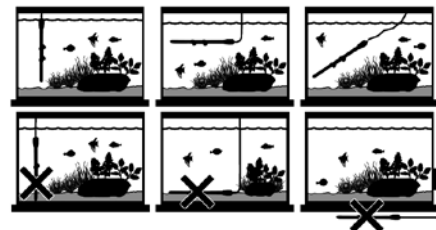
Ubicación del calentador

El calentador del acuario deberá tener una ubicación que permita una libre circulación de agua alrededor del tubo de calentador de vidrio. En general, el calentador deberá colocarse en la parte posterior del acuario, de preferencia cerca a una fuente de movimiento de agua para asegurar una distribución uniforme de agua tibia. Asegúrese de que no haya piedras, adornos ni grava que puedan obstruir o tocar el calentador ya que podrían causar un calentamiento irregular en el tubo de vidrio y debilitarlo.

PRECAUCIÓN: El nivel de agua debe mantenerse en el nivel indicado en el tubo del calentador de vidrio. Para compensar la pérdida de agua que provoca la evaporación, siempre mantenga el mismo nivel de agua en el acuario.

Preparación del calentador

- Configure la temperatura apropiada del calentador usando el dial de control de temperatura numerado.
- Coloque el calentador en el acuario con el soporte de montaje del calentador. Presione firmemente las ventosas contra el vidrio para adherirlas a la pared del acuario.
- NO ENCHUFE AHORA.** El calentador ahora está listo para su puesta en marcha, pero no podrá encenderlo hasta que haya completado la instalación de todos los accesorios del acuario y llenado el tanque con agua. Para la puesta en marcha del calentador, consulte el manual de instrucciones del calentador en la tarjeta de éste.



SECCIÓN N.º 4 DECORACIÓN DE SU ACUARIO CON GRAVA, ADORNOS Y PIEDRAS

Desenchufe y retire las luces en hilera y las tapas superiores de la parte superior del acuario para tener completo acceso al tanque.

Los adornos y las piedras deberán colocarse cuando el acuario está seco. Enjuague la grava para acuario o el sustrato marino antes de colocarlo en el fondo. En la mayoría de los casos, es suficiente una capa de 5 a 10 cm (2 a 4") de grava común para acuario (o coral triturado en medio ambientes marinos). Utilice más cantidad si piensa colocar plantas vivas. Para obtener un mejor efecto, se recomienda colocar el material en declive, desde atrás hacia adelante.

Cuando decore el acuario, asegúrese de que el filtro de alimentación sobresalga por lo menos 5 cm del fondo de la grava para impedir que la bomba filtrante aspire grava o arena.

Asegúrese también de que no haya piedras, adornos o grava que puedan obstruir o tocar el calentador.

¡PRECAUCIÓN! No coloque piedras en contacto directo con el panel de vidrio inferior. Mantenga siempre unos 5 cm de grava entre las piedras y dicho panel.

¡PRECAUCIÓN! Trate todos los objetos duros y pesados, como piedras decorativas, con extremo cuidado para evitar que los paneles de vidrio se dañen. Evite siempre golpearlos contra el vidrio.

¡PRECAUCIÓN! No acumule piedras o adornos pesados contra los sistemas de salida y entrada para evitar forzar los tubos de conexión (A) hacia los lados.

Coloque plantas pequeñas en el acuario

Coloque plantas pequeñas en su acuario cuando esté vacío. Cerciórese de que todas las plantas vivas estén plantadas firmemente en la grava.

Llene el acuario con agua hasta la mitad de su altura y coloque plantas altas

Antes de colocar las plantas altas, llene la mitad del acuario con agua. El agua simplificará este proceso. Para reducir el desplazamiento de los adornos al llenar el acuario, coloque un plato limpio sobre la grava en el fondo del acuario y luego vierta el agua en él. Le recomendamos que llene el acuario con agua cuya temperatura sea similar a la que espera alcanzar. Cerciórese de que todas las plantas vivas estén plantadas firmemente en la grava.

Llenado del acuario

Una vez que agregó las plantas, llene el acuario hasta la parte inferior del marco de aluminio.

IMPORTANTE: No llene demasiado. Llenar demasiado el acuario puede hacer que el agua pase por debajo del marco superior y se derrame.

SECCIÓN N.º 5 INSTALACIÓN DE LA CUBIERTA CON LUCES EN HILERA Y PREPARACIÓN PARA SU PUESTA EN MARCHA

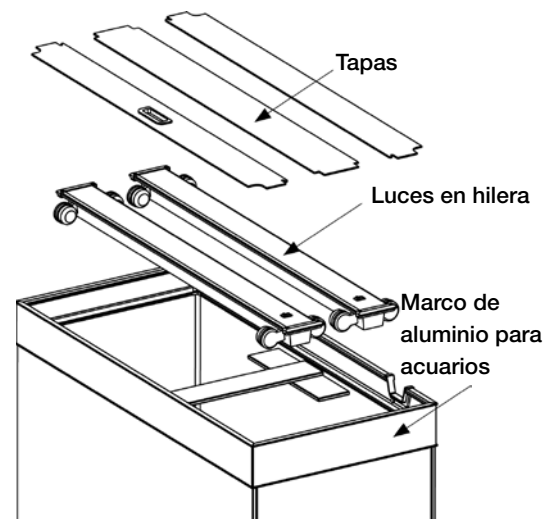
CUBIERTA CON LUCES EN HILERA: PIEZAS

La cubierta con luces en hilera está compuesta de:

- **1 MARCO de aluminio para acuarios** unido al tanque del acuario
- **3 TAPAS** para abrir y cerrar el acuario
- **2 LUCES EN HILERA** para 4 tubos fluorescentes T5HO

Todas las luces en hilera están equipadas con un reostato electrónico para garantizar un máximo rendimiento y eficacia.

De acuerdo con su versión, las luces en hilera podrían presentar un interruptor de cable o un interruptor oscilante en la superficie superior de la cubierta.



MEDIDAS DE SEGURIDAD IMPORTANTES DE LAS LUCES EN HILERA

ADVERTENCIA: Para evitar lesiones, se deben tener en cuenta las precauciones básicas de seguridad, incluidas las que se detallan a continuación.

1. **LEA Y CUMPLA CON TODAS LAS MEDIDAS DE SEGURIDAD** y las advertencias importantes que figuran en el aparato, antes de usar las LUCES EN HILERA. De lo contrario, podría ocasionar la muerte de los peces o dañar el equipo.

2. **PELIGRO:** Para evitar una posible descarga eléctrica, se debe tener especial cuidado, ya que se manipula agua al usar el equipo del acuario. En las situaciones que se describen a continuación, no intente hacer una reparación usted mismo; lleve el aparato a un centro autorizado que brinde los servicios necesarios o deséchelo.

A. Si el aparato cae en el agua, NO lo agarre. Primero desenchúfelo y luego retírelo. Si los componentes eléctricos del aparato se mojan, desenchúfelo inmediatamente.

B. Si el aparato muestra algún signo anormal de fuga o si el dispositivo de corriente residual RCD (o el interruptor accionado por corriente de pérdida a tierra [GFCI]) se apaga, desconecte primero el cable de la fuente de alimentación principal y retire el aparato del agua.

C. Inspeccione cuidadosamente el aparato una vez instalado. No se debe enchufar si hay agua en las piezas que no están diseñadas para estar mojadas.

D. No utilice ningún aparato que tenga un cable o un enchufe dañado, que no funcione correctamente o que se haya caído o dañado de alguna manera. El cable de alimentación de este aparato no se puede cambiar; si se daña, deberá desechar el aparato. Nunca corte el cable.

E. Para evitar que el enchufe o tomacorriente del aparato se moje, adapte un lazo de goteo según se indica en las instrucciones de la sección "INSTRUCCIONES IMPORTANTES DE SEGURIDAD" en la introducción de este manual.

3. Este aparato no debe ser usado por personas (incluidos los niños) con discapacidades físicas, sensoriales o mentales significativas, a menos que sean supervisadas o hayan recibido instrucciones sobre el uso del aparato de parte de una persona responsable de su seguridad. Siempre se debe supervisar a los niños para impedir que jueguen con el aparato.

4. Para evitar lesiones, no toque las piezas calientes, como calentadores, reflectores, bombillas, etc.

5. **PRECAUCIÓN:** Siempre desenchufe o desconecte todos los aparatos que están dentro del acuario de la fuente de alimentación, antes de colocar las manos en el agua, poner o sacar piezas y durante la instalación, el mantenimiento o el manejo de las LUCES EN HILERA. Nunca jale con fuerza del cable para quitar el enchufe del tomacorriente. Tómelo del enchufe y desconéctelo. Siempre desenchufe el aparato cuando no lo use.

6. Estas LUCES PARA ACUARIO no sumergibles (LUCES EN HILERA) son ideales para USO ÚNICAMENTE EN INTERIORES y están diseñadas para ser ensambladas únicamente en los MARCOS PARA CUBIERTA SUPERIOR de los modelos Fluval PROFILE, para acuarios de agua salada y dulce con una temperatura máxima de 35 °C. No utilice este aparato en otros acuarios o aplicaciones. El uso de accesorios no recomendados o vendidos por el fabricante puede crear situaciones peligrosas.

7. **IMPORTANTE.** Utilice únicamente tubos fluorescentes T5HO normales para acuarios estándares según las características de vataje que se indican en la etiqueta de datos eléctricos de las luces en hilera.

8. No instale ni guarde el aparato en lugares expuestos a la intemperie o a temperaturas bajo cero.

9. **IMPORTANTE:** Cerciórese de que las LUCES EN HILERA estén instaladas correctamente antes de hacerlas funcionar y que exista una distancia mínima entre la superficie del agua y las luces de 15 mm (0,6 pulg.). Estas LUCES EN HILERA no deben funcionar nunca en el agua. **ADVERTENCIA:** Se garantiza la seguridad de estas luces en hilera siempre y cuando se inserten ambas bombillas y se instalen apropiadamente todos los accesorios.

10. Si es necesario usar un cable de extensión, procure que tenga el calibre adecuado. Un cable para un amperaje o vataje inferior al del aparato puede recalentarse. Se debe tener cuidado al colocar el cable de tal manera que nadie pueda tropezar con él ni tirar del mismo.

11. **ADVERTENCIA.** Riesgo de recalentamiento: no coloque ningún objeto sobre las luces en hilera. Asegúrese de que haya suficiente espacio alrededor de las luces en hilera.

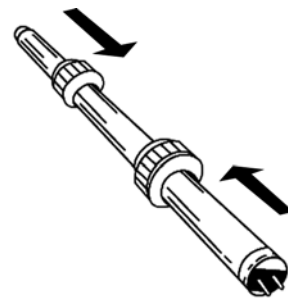
12. **(Para Norteamérica únicamente)** Este aparato tiene un enchufe polarizado (una clavija es más ancha que las otras). Como función de seguridad, este enchufe entrará por completo en el tomacorriente polarizado de una sola manera. Si no entra por completo, dé vuelta el enchufe. Si de esta manera tampoco entra, comuníquese con un electricista calificado para que revise el tomacorriente y realice los ajustes necesarios. Nunca use el aparato con un cable de extensión a menos que el enchufe entre por completo. No trate de anular esta función de seguridad.

CONSERVE ESTAS INSTRUCCIONES

Para usar este producto y entender su funcionamiento completamente, se recomienda leer y comprender todo el manual. De lo contrario, el producto puede dañarse.

PREPARACIÓN E INSTALACIÓN DE LAS LUCES EN HILERA

Todos los modelos de acuarios PROFILE presentan 2 luces en hilera. Cada una tendrá dos (2) tubos fluorescentes T5HO. Las bombillas GLO T5HO provistas deben instalarse en cada una de las luces en hilera.



il. 6

1. Destornille el accesorio roscado de la base del fluorescente con una mano mientras sostiene la base del fluorescente con la otra (para evitar que se rompa accidentalmente este componente de plástico). Realizará este mismo procedimiento en ambos extremos de cada luz en hilera.

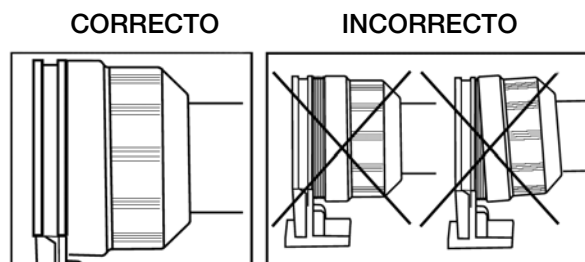
2. Deslice los dos accesorios roscados con las juntas en el tubo fluorescente, hacia el medio, de manera que las roscas estén mirando a los extremos del fluorescente (Ilustración 6).

Cerchiórese de que las juntas estén colocadas como corresponde.

3. Con cuidado coloque las espigas del nuevo tubo fluorescente en las ranuras de la base de éste en cada extremo de la luz en hilera.

3A. Gire los tubos fluorescentes 1/4 de vuelta o 90°. Hágalo hasta oír que las lámparas hagan “clic” y queden sujetadas.

4. Con cuidado sostenga las bases de los fluorescentes con una mano mientras que con la otra enrosca suavemente los accesorios roscados. Asegure bien estos accesorios, pero no se recomienda el uso de herramientas. Asegúrese de que los tapones estén totalmente roscados en la base del fluorescente. Estos componentes son de plástico, evite cruzar las roscas de los accesorios.



il. 7

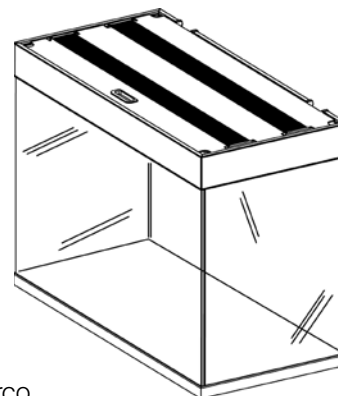
5. Coloque nuevamente las luces en hilera en el acuario y las 3 tapas.

6. Repita los pasos 1 a 4 para la segunda instalación.

ADVERTENCIA: Cerchiórese de que no haya roscas visibles ni espacios entre la base de los fluorescentes y los accesorios roscados. Asegúrese de que los accesorios roscados estén debidamente colocados en la base. (Ilustración 7).

Los accesorios roscados deberán estar completamente ajustados para prevenir que entre humedad a la base y ésta corra los contactos eléctricos.

ADVERTENCIA: Se garantiza la seguridad de estas luces en hilera siempre y cuando se inserten ambas bombillas y se instalen apropiadamente todos los accesorios. Vuelva a colocar primero las luces en hilera y luego las tapas sobre el marco superior para cerrar completamente el acuario.



NO ENCHUFE AHORA. Las luces en hilera están listas para su puesta en marcha; pero, no las haga funcionar si todos los accesorios del acuario no están instalados.

SECCIÓN N. ° 6 MANTENIMIENTO

ADVERTENCIA: Siempre desconecte todos los aparatos que están en el acuario de la fuente de alimentación antes de colocar las manos en el agua, poner o quitar piezas y en cualquier momento en que se instalen, se manejen los aparatos o se les haga el mantenimiento.

I. CUIDADO Y MANTENIMIENTO DEL TANQUE DE VIDRIO PARA ACUARIOS

El tanque de vidrio no requiere otro mantenimiento que una limpieza regular. Siempre se deberá tener especial cuidado de no dañar los sellos de silicona cuando se realiza la limpieza o el mantenimiento del acuario.

NUNCA use jabón, detergentes ni ninguna otra sustancia química fuerte para limpiar el tanque del acuario, ya que podrían dañar los sellos de silicona.

Si tiene un acuario de agua salada, siga las instrucciones que se indican a continuación:

INSTRUCCIONES DE SEGURIDAD ADICIONALES PARA LA INSTALACIÓN Y EL MANTENIMIENTO DE LOS ACUARIOS DE AGUA SALADA

Comúnmente se sabe que el agua salada en comparación con el agua dulce es mucho más corrosiva, conductiva eléctricamente y que, generalmente, degrada las piezas de metal y plástico a un ritmo acelerado. Para reducir las acumulaciones de sal en el acuario, considere las siguientes recomendaciones:

1. Cerciórese de que las salidas de los filtros no salpiquen por encima de la superficie de agua. Ubique las salidas por debajo del nivel de la superficie de agua con un ligero ángulo hacia abajo; pero, deje que se produzca movimiento en la superficie (esto contribuye a la oxigenación).
2. Si debe usar una bomba de aire, necesitará quitar con frecuencia los depósitos de sal.
3. Mantenga el nivel del agua tan constante como sea posible (llene el acuario regularmente para compensar la evaporación). Esto es beneficioso ya que permite una salinidad estable y ayudará a proteger la cubierta.
4. Por lo menos cada 15 días, limpie todos los componentes del acuario que entren en contacto con agua salada. Utilice un paño húmedo (nunca productos químicos ni detergentes). Para quitar los depósitos calcáreos, podría ser útil usar simplemente jugo de limón. Enjuague muy bien para eliminar cualquier residuo ácido.

PIEZAS DE REPUESTO



Boquilla de salida (N): 15470, una para todos los modelos

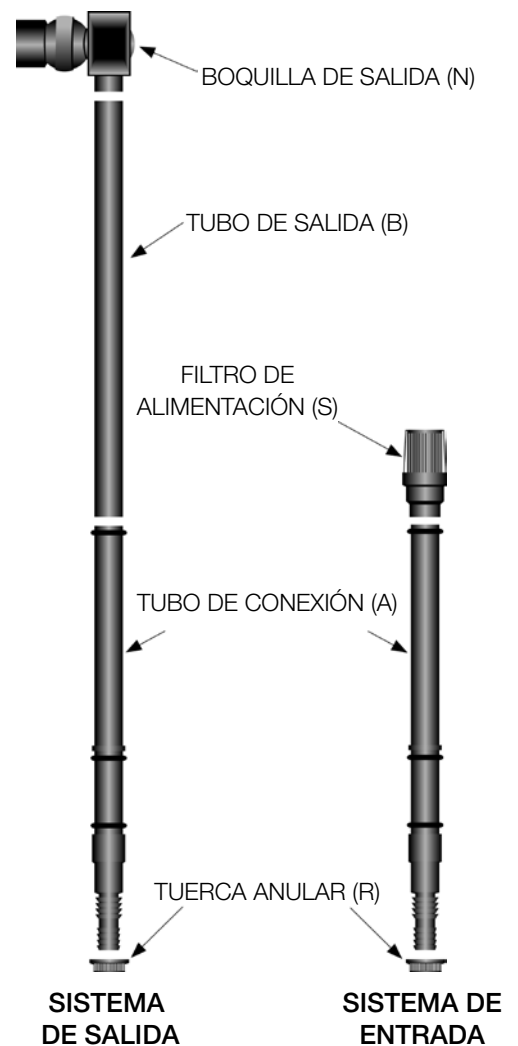
Tubo de salida (B): 15472, uno para todos los modelos

Tubo de conexión (A): 15473, uno para todos los modelos

Filtro de alimentación (S): A-20009, uno para todos los modelos

Anillo de goma (C): 15476, uno para todos los modelos

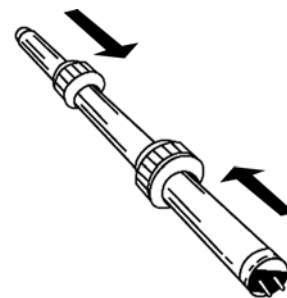
Tuerca anular (R): 15474, una para todos los modelos



2. MANTENIMIENTO DE LA CUBIERTA CON LUCES EN HILERA

ADVERTENCIA: Los tubos fluorescentes son de vidrio. Maneje las luces en hilera y los fluorescentes con cuidado.

RECOMENDACIÓN: Use únicamente fluorescentes T5HO con potencia de salida normal para acuarios estándares según el vataje que se indica en la etiqueta sobre los datos eléctricos de las luces en hilera. Siempre utilice piezas de repuesto originales.



il. 6

CAMBIO DE LOS TUBOS FLUORESCENTES DE LAS LUCES EN HILERA

1. Desconecte las luces en hilera de la fuente de alimentación.

ADVERTENCIA: Asegúrese de desenchufar el cable de alimentación. NO es suficiente apagar las luces con el interruptor de cable.

2. Quite las luces en hilera del acuario y colóquelas con los tubos fluorescentes hacia arriba sobre una superficie sólida, lejos del acuario para impedir que alguna pieza caiga por accidente adentro.

3. Destornille el accesorio roscado de la base del fluorescente con una mano mientras sostiene la base del fluorescente con la otra (para evitar que se rompa accidentalmente este componente de plástico). Realizará esto mismo en ambos extremos de cada uno de los fluorescentes que deba cambiar.

4. **Con cuidado quite el fluorescente viejo.**

5. Deslice los dos accesorios roscados con las juntas en el nuevo tubo fluorescente, hacia el medio, de manera que las roscas estén mirando a los extremos del fluorescente (ilustración 6).

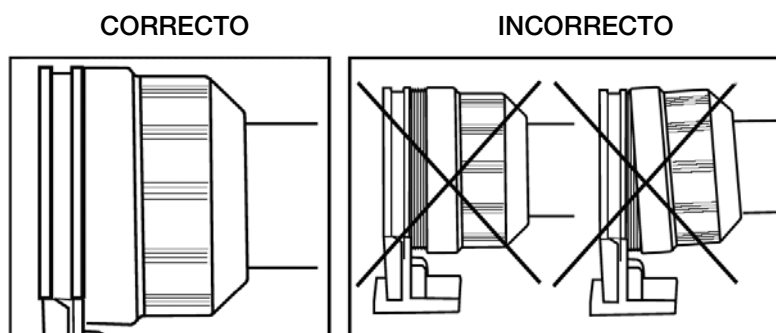
Cerciórese de que las juntas estén colocadas como corresponde.

6. Con cuidado coloque las espigas del nuevo fluorescente en las ranuras de la base de éste. Gire 90° hasta oír un clic.

7. Con cuidado sostenga las bases de los fluorescentes con una mano mientras que con la otra enrosca suavemente los accesorios roscados. Asegure bien estos accesorios, pero no se recomienda el uso de herramientas. Estos componentes son de plástico, evite cruzar las roscas de los accesorios. (ilustración 7).

8. Coloque nuevamente las luces en hilera en el acuario.

ADVERTENCIA: Para impedir que la humedad entre en las bases de los fluorescentes y corra los contactos eléctricos, ajuste muy bien los accesorios roscados. Cerciórese de que no haya roscas visibles o espacios entre la base de los fluorescentes y los accesorios roscados. Asegúrese de que los accesorios roscados estén debidamente colocados en la base.



il. 7

3. LIMPIEZA DE LA CUBIERTA CON LUCES EN HILERA

Desconecte las luces en hilera de la fuente de alimentación antes de realizar el mantenimiento.

ADVERTENCIA: Asegúrese de desenchufar el cable de alimentación. NO es suficiente apagar las luces con el interruptor de cable.

Nunca coloque las luces en hilera debajo de chorros de agua ni las sumerja en agua.

La cubierta con luces en hilera Fluval no requiere ningún mantenimiento especial, salvo una limpieza periódica con un paño húmedo (nunca utilice productos químicos fuertes ni detergentes). Para quitar los depósitos calcáreos, utilice un ácido suave como jugo de limón, luego limpie la superficie con un paño húmedo para eliminar los residuos. Los acuarios de agua salada requieren una limpieza regular para sacar las acumulaciones de sal de la cubierta con luces en hilera y de los fluorescentes. Remítase a la sección "Instrucciones de seguridad adicionales para la instalación y el mantenimiento de acuarios de agua salada" de la introducción.

4. PIEZAS DE REPUESTO DE LAS LUCES EN HILERA

Siempre use repuestos originales Fluval para garantizar un rendimiento y seguridad continuos.

Recomendamos que cuando una (1) lámpara se quemara, se cambien ambas lámparas al mismo tiempo.

Modelo	Tubos fluorescentes	Luces en hilera completas (sin fluorescentes)
PROFILE 850 15839	T5HO 4x 24W	15839
PROFILE 1000 15849	T5HO 4x 39W	15849
PROFILE 1200 15859	T5HO 4x 39W	15859
PROFILE 1500 15869	T5HO 4x 54W	15869

GARANTÍA

Rolf C. Hagen garantiza este producto en caso que presente piezas defectuosas y fallas en la fabricación durante un periodo de 2 años a partir de la fecha de compra, siempre y cuando se hayan seguido las instrucciones indicadas.

Esta garantía no incluye daños originados por accidentes o por el mal uso del producto.

Dicha garantía no afecta sus derechos legales.

Si tuviera, en un momento dado, algún reclamo bajo garantía, deberá presentar la prueba y fecha de compra. Por este motivo, le recomendamos conservar su recibo. Nos reservamos el derecho de reparar o reemplazar el producto, según se estime conveniente.

Rolf C. Hagen le desea muchas horas de diversión con su acuario Fluval.

U.S.A.: Rolf C. Hagen (U.S.A.) Corp.

305 Forbes Blvd, Mansfield, MA. 02048

U.S.A only: 1-800-724-2436 between 9:00 a.m. and 4:00 p.m. Eastern Standard Time. Ask for Customer Service.

ESPAÑA: Rolf C. Hagen España S.A

Servicio de Garantías

Avda. de Beniparrell, 11 y 13 - P.I L'Alteró,

46460 Silla (Valencia)

FLUVAL®

Distributed by:

Canada: **Rolf C. Hagen Inc.**,

Montreal, Quebec, H9X OA2

U.K.: **Rolf C. Hagen (U.K.) Ltd.**,

Castleford, W. Yorkshire WF10 5QH

U.S.A.: **Rolf C. Hagen (U.S.A.) Corp**

Mansfield, MA. 02048

France: **Hagen France SA.**,

F-77388 Combs la Ville

Germany: **HAGEN Deutschland GmbH & Co. KG**,

25488 Holm

Spain: **Rolf C Hagen España S.A.**

Avda. De Beniparrel, 11 y 13 46460 Silla Valencia

www.hagen.com

