

PT4092
PT4093
PT4094

VIVEXOTIC

ASSEMBLY INSTRUCTIONS

REPTIHOMES
Maxi XL CABINET



Issue 1

Important - Please read these instructions fully before starting assembly

If you need help, or have damaged or missing parts, please call **0141 945 2888** and ask for the QC department. However, please note if your product has been subject to obvious carrier damage to the carton during transit to your home, we recommend that you contact your supplier.

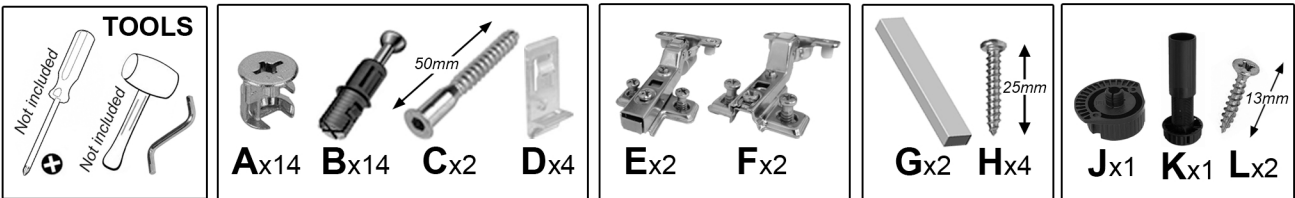
2 YEAR EXTENDED WARRANTY

You have automatically received a standard 12 month guarantee with your purchase, however will receive an extra 12 months free (giving you a total of 2 years warranty from the date of purchase), if you fill out your details online. Simply visit uk.hagen.com and click on the 'warranty' section.

The standard and extended warranty covers for defective parts which have failed under normal use. We shall not replace parts that have been damaged by abnormal conditions or that which have been subjected to improper use. It is important that you seal the vivarium above this cabinet to prevent moisture entering into exposed chipboard. We will not replace parts that have been water damaged due to insufficient sealing. If not sealed correctly, this will invalidate the warranty.

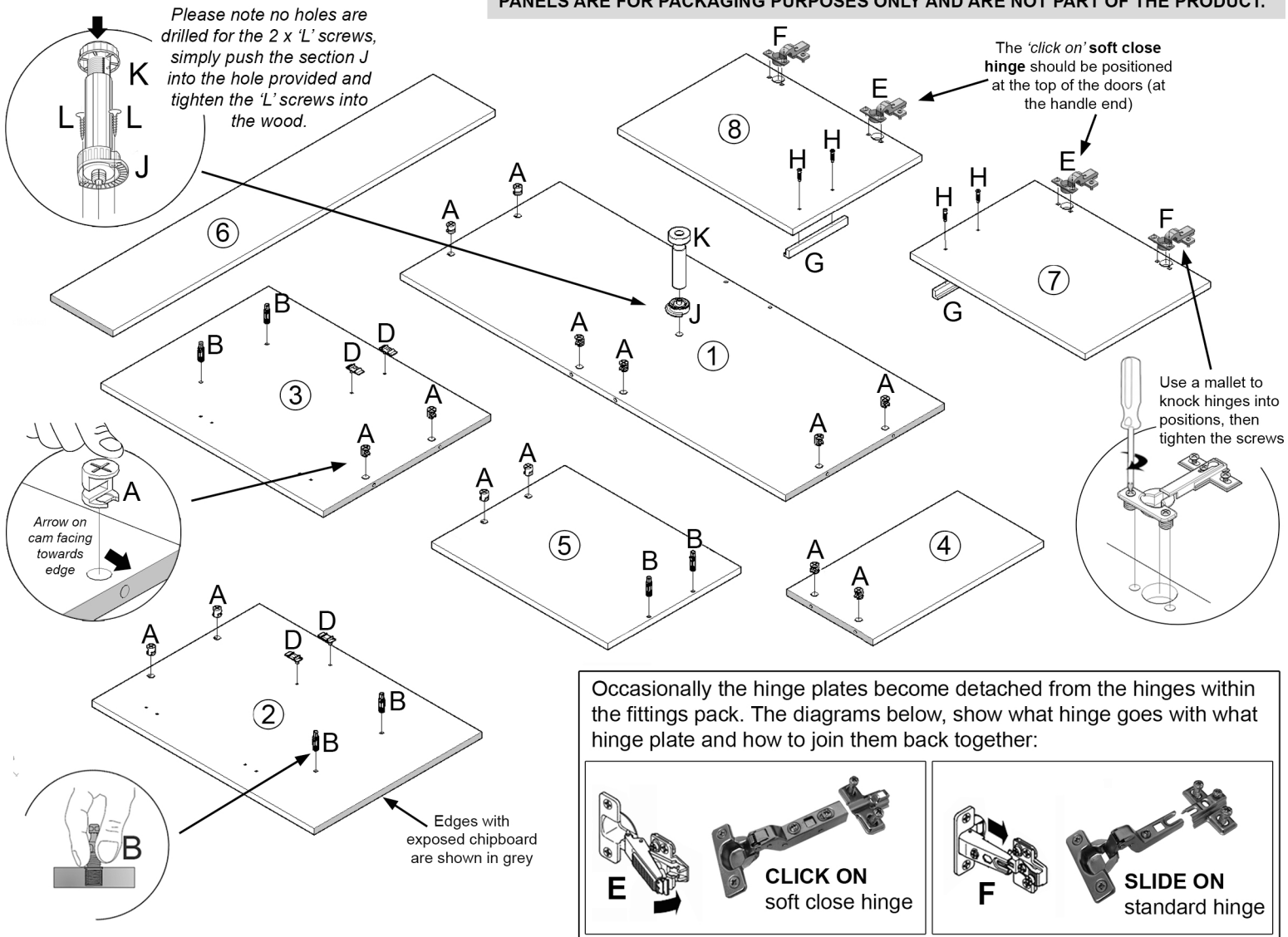
FITTINGS

Please note this fittings pack is used in different products, therefore it may include extra fittings that are not required in this product.

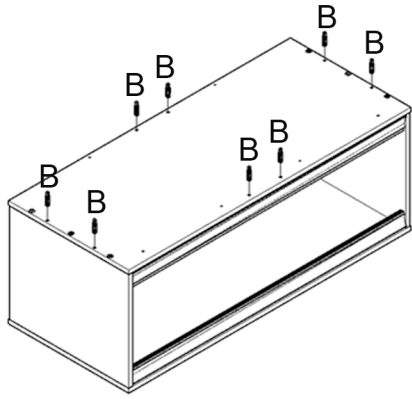


PREPARATION

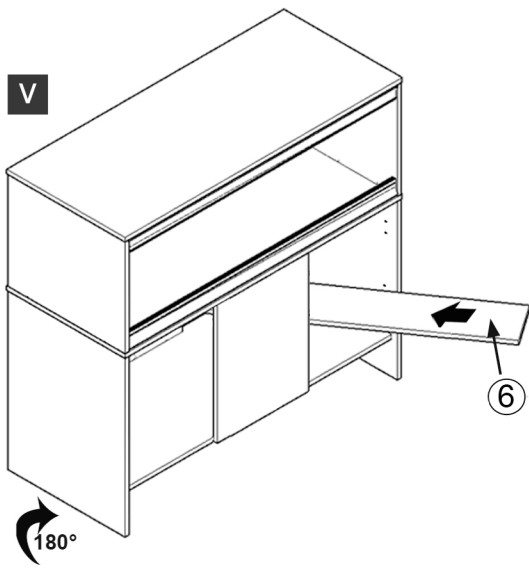
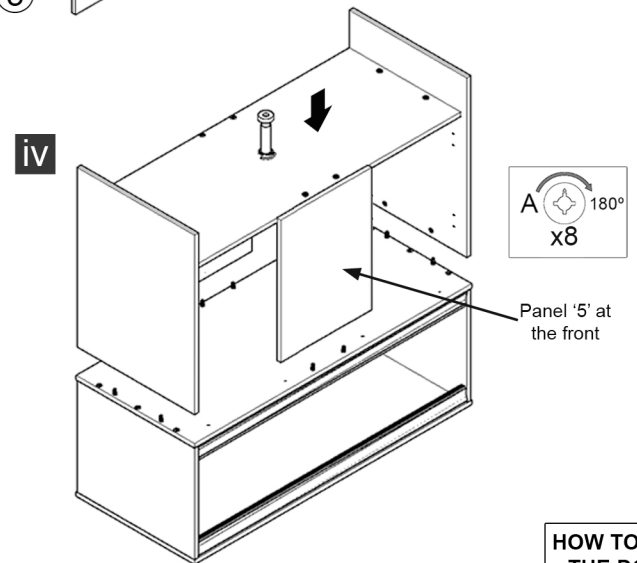
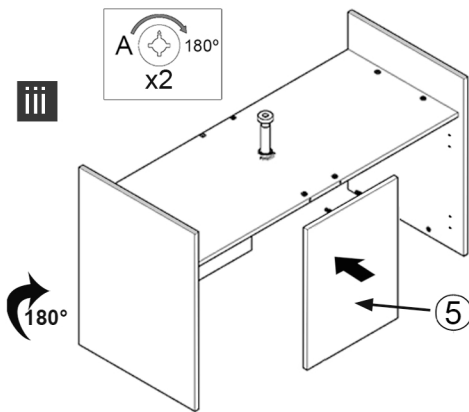
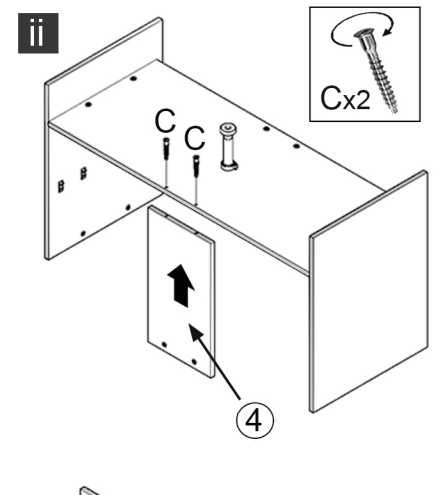
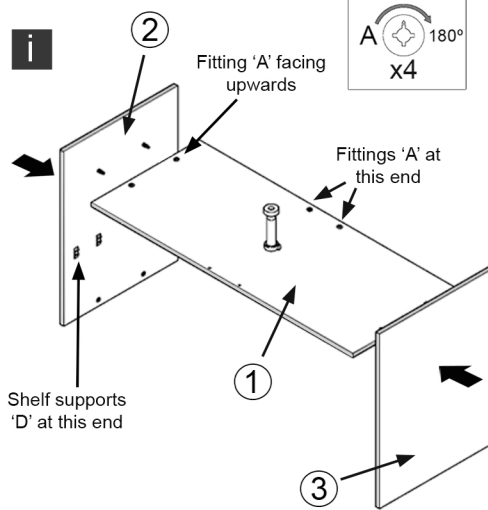
PLEASE NOTE THE PACKAGING CONTAINS 2 WOODEN END PROTECTORS. THESE PANELS ARE FOR PACKAGING PURPOSES ONLY AND ARE NOT PART OF THE PRODUCT.



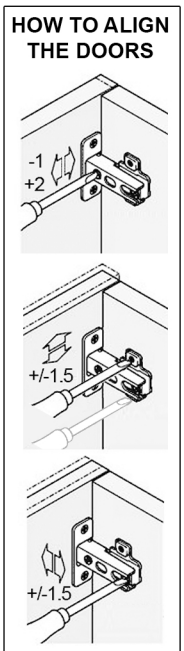
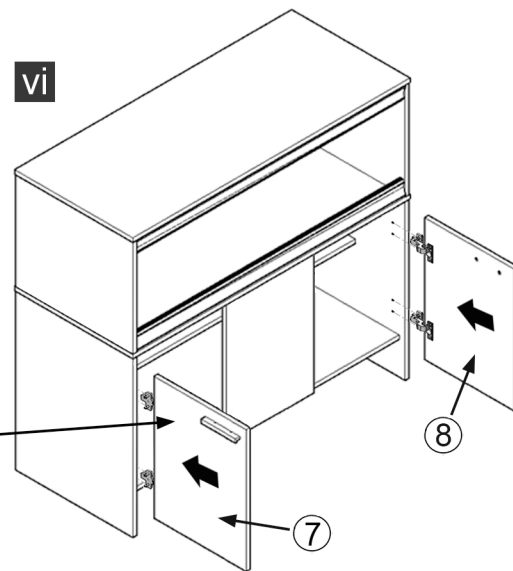
This cabinet is designed to attach onto the base of your vivarium. Before starting assembly, flip the vivarium upside down (take the glass out before doing this) and insert the 8 remaining 'B' fittings into the unused holes:



ASSEMBLY



As a result of using 2 different hinges, you may find the top of the door sits out from the unit a little. Simply loosen the necessary screw on the hinge, shut the door, and then tap it gently in with a mallet.



This XL Repti-Home Maxi cabinet fits the following Vivexotic vivarium:



Repti-Home Maxi XL Vivarium

Please visit uk.hagen.com/vivexotic for more information